



US00D804615S

(12) **United States Design Patent**
Seum et al.

(10) **Patent No.:** **US D804,615 S**

(45) **Date of Patent:** **** Dec. 5, 2017**

(54) **FAUCET**

D589,594 S * 3/2009 Lammel D23/238
D651,284 S * 12/2011 Flowers D23/243
D709,166 S * 7/2014 Yu D23/238

(71) Applicant: **Grohe AG**, Hemer (DE)

* cited by examiner

(72) Inventors: **Michael Seum**, Duesseldorf (DE);
Beguem Tomruk, Duesseldorf (DE)

Primary Examiner — Robert A Delehanty

(73) Assignee: **Grohe AG**, Hemer (DE)

(74) *Attorney, Agent, or Firm* — Muncy, Geissler, Olds & Lowe, P.C.

(**) Term: **15 Years**

(21) Appl. No.: **29/581,154**

(57) **CLAIM**

(22) Filed: **Oct. 17, 2016**

The ornamental design for a faucet, as shown and described.

(30) **Foreign Application Priority Data**

Apr. 15, 2016 (EM) 003070135-0001

(51) **LOC (10) Cl.** **23-01**

(52) **U.S. Cl.**
USPC **D23/238**

(58) **Field of Classification Search**
USPC D23/238-242, 249-250, 252, 254-255,
D23/257; D8/307-308
CPC Y10T 137/9464
See application file for complete search history.

DESCRIPTION

FIG. 1 is a front perspective view of a faucet according to the present invention.

FIG. 2 is a front view of the faucet of FIG. 1.

FIG. 3 is a rear view of the faucet of FIG. 1.

FIG. 4 is a left side view of the faucet of FIG. 1.

FIG. 5 is a right side view of the faucet of FIG. 1.

FIG. 6 is a top view of the faucet of FIG. 1; and,

FIG. 7 is a bottom view of the faucet of FIG. 1.

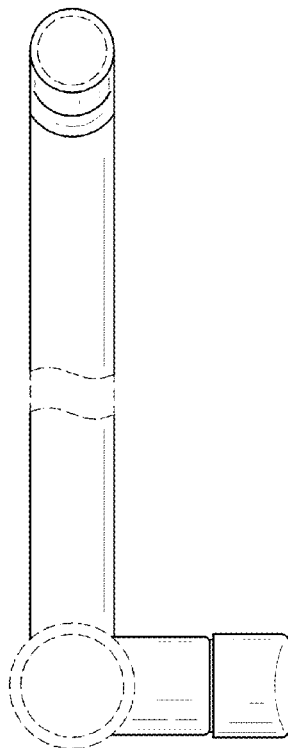
The dashed lines illustrate environment that does not form a part of the present invention, and no claim is made to the material illustrated with dashed lines.

(56) **References Cited**

U.S. PATENT DOCUMENTS

D479,579 S * 9/2003 Haug D23/238

1 Claim, 7 Drawing Sheets



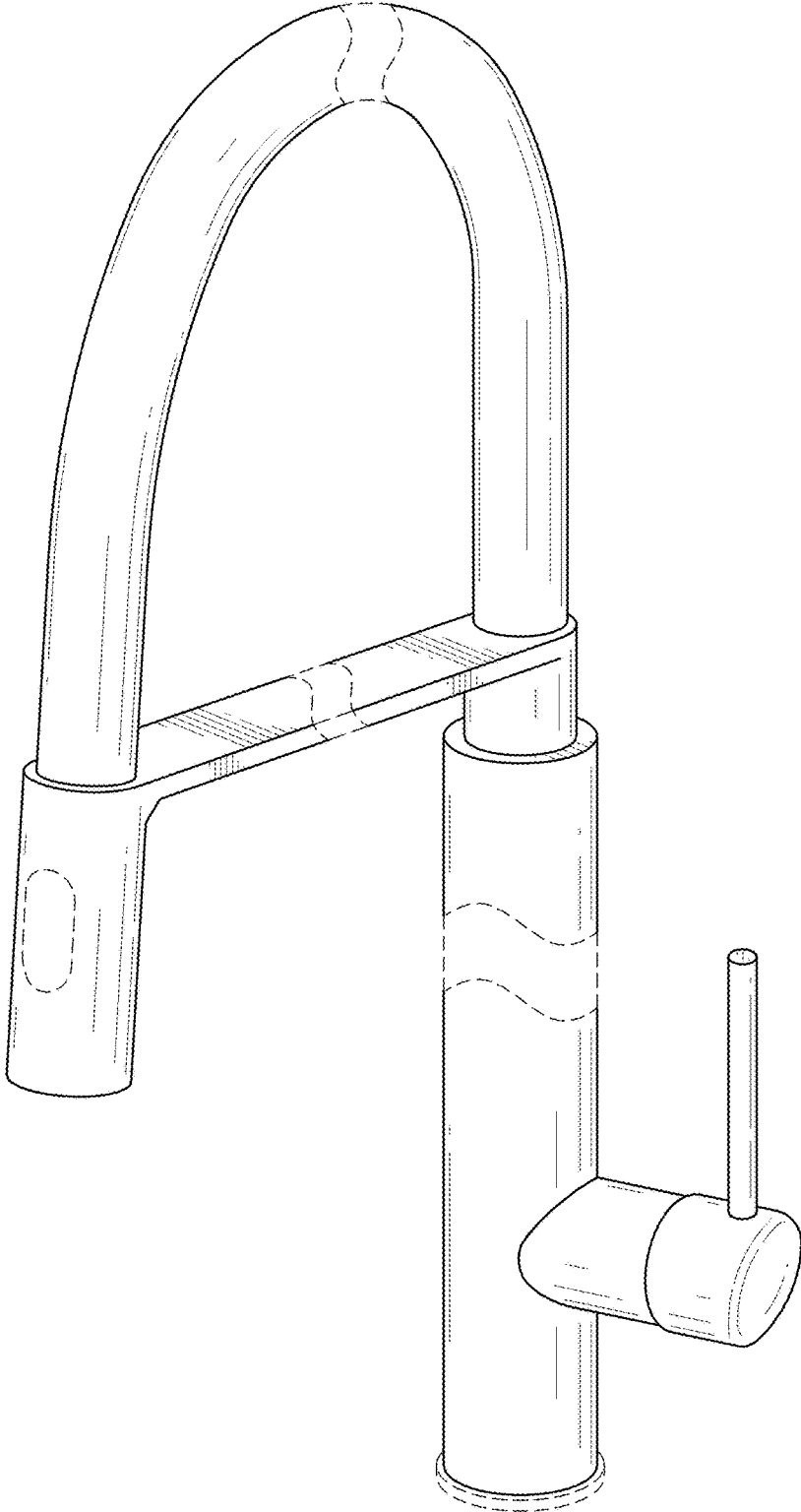


FIG. 1

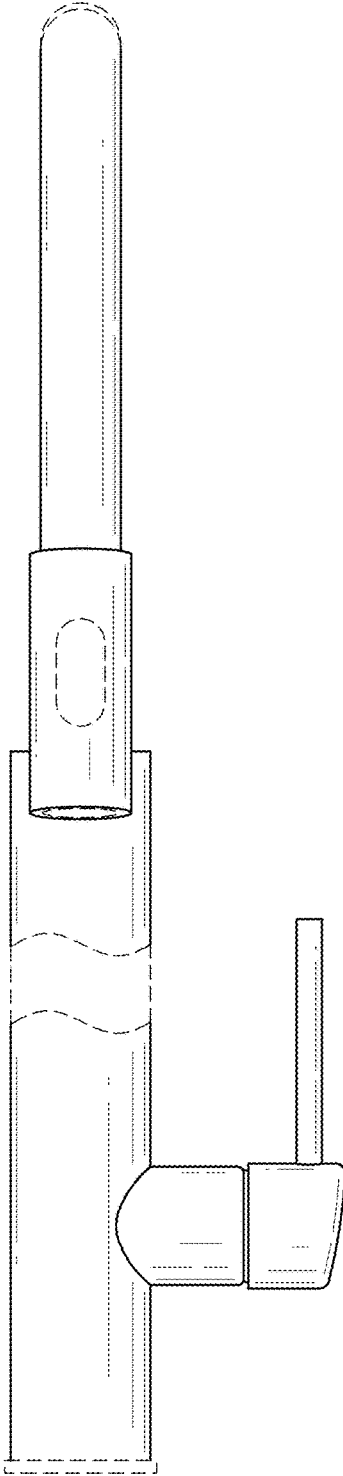


FIG.2

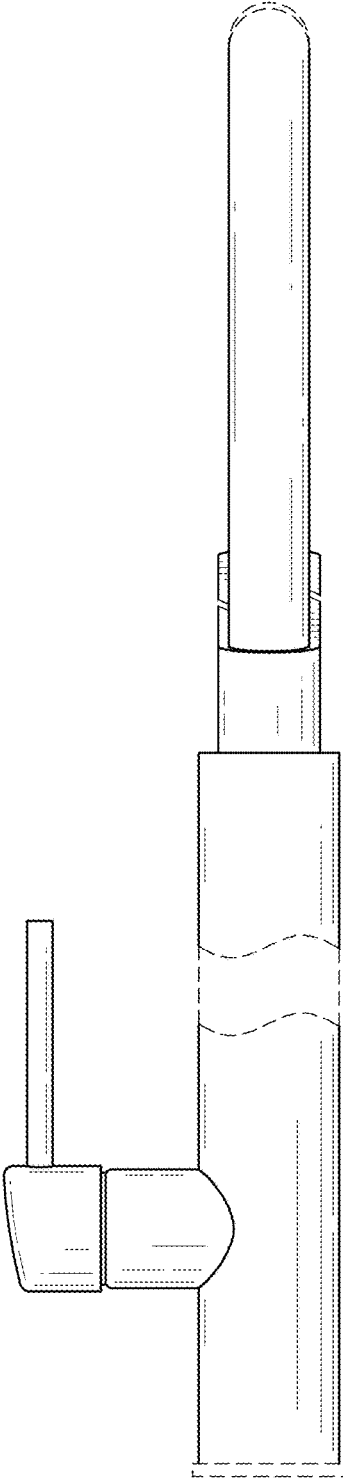


FIG.3

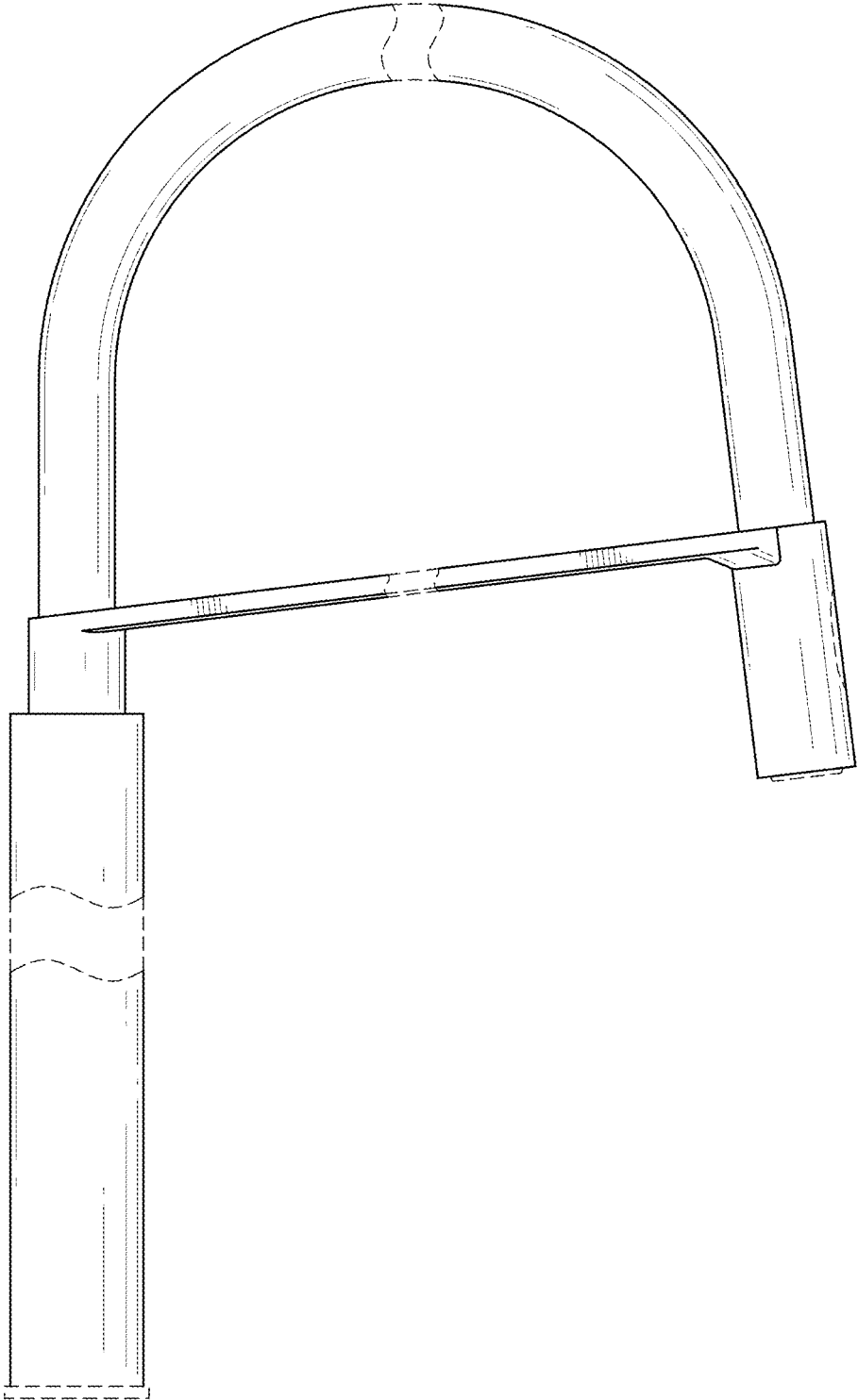


FIG.4

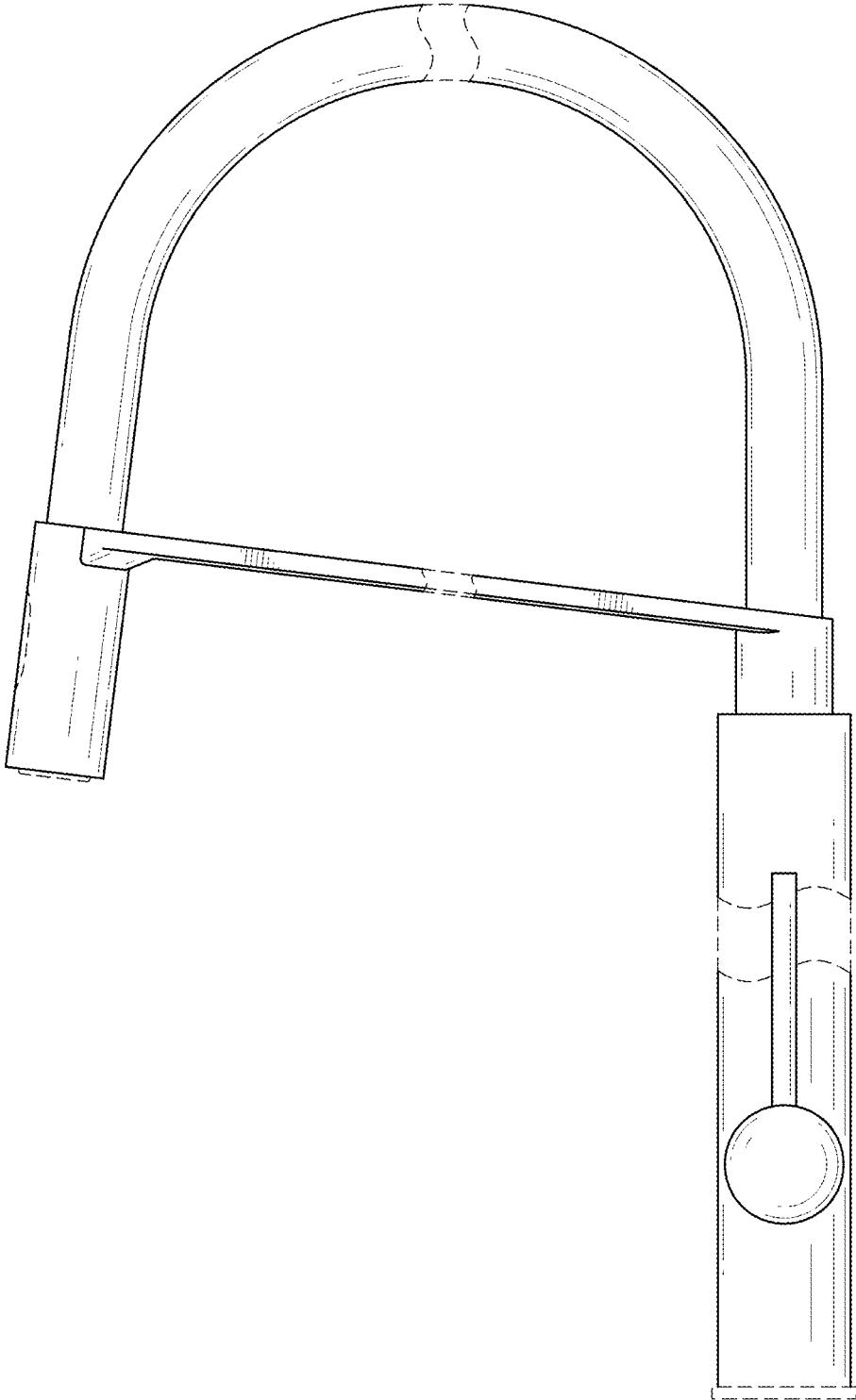


FIG.5

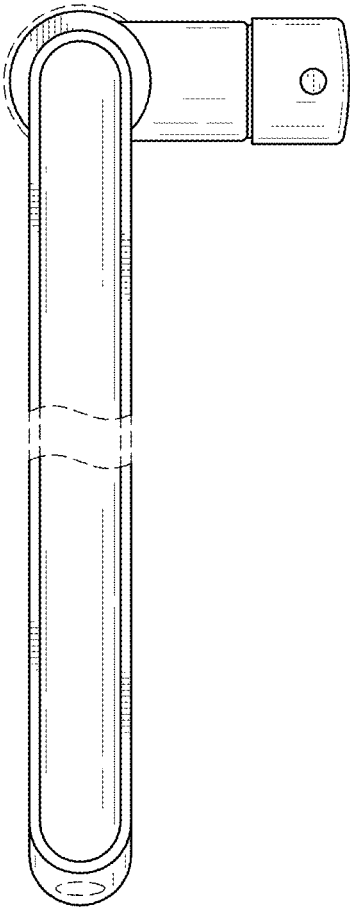


FIG.6

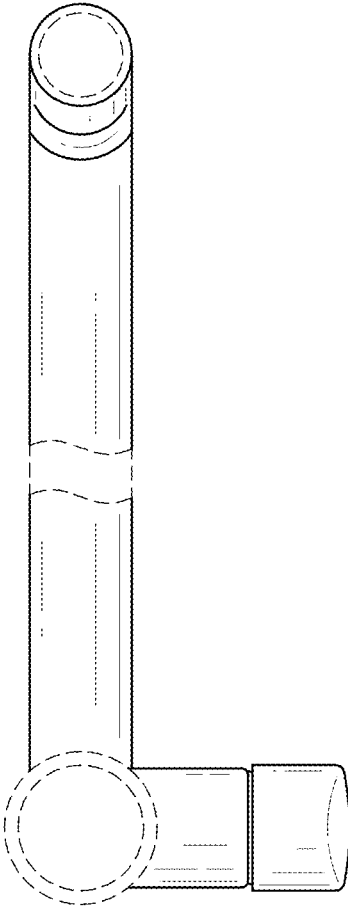


FIG.7