



US00D563161S

(12) **United States Design Patent**
Bodum

(10) **Patent No.:** **US D563,161 S**

(45) **Date of Patent:** **** Mar. 4, 2008**

(54) **TEA INFUSER**

(75) Inventor: **Jørgen Bodum**, St. Niklausen (CH)

(73) Assignee: **Pi-Design AG**, Triengen (CH)

(**) Term: **14 Years**

(21) Appl. No.: **29/252,903**

(22) Filed: **Jan. 30, 2006**

(51) **LOC (8) CL.** **07-01**

(52) **U.S. CL.** **D7/400; D7/399; D7/700**

(58) **Field of Classification Search** D7/387,
D7/397, 399, 400, 401, 503, 589, 590, 601,
D7/602, 630, 647, 667; D9/429, 433; D23/200,
D23/207, 209; 99/275, 279, 321-323; 210/295,
210/348, 473; 220/676, 913

See application file for complete search history.

(56) **References Cited**

U.S. PATENT DOCUMENTS

520,168	A *	5/1894	Postlethwaite	210/497.01
545,662	A *	9/1895	Stewart	220/300
1,188,640	A *	6/1916	Fisher	210/300
1,238,013	A *	8/1917	Harper	210/300
1,436,294	A *	11/1922	Scott	210/473
D246,109	S *	10/1977	Rosaen	D23/209
D328,405	S *	8/1992	Heiligenstein et al.	D7/400
D396,603	S *	8/1998	Gasser	D7/400
D447,911	S *	9/2001	Jorgensen	D7/400
6,283,013	B1 *	9/2001	Romandy et al.	99/322
D473,029	S *	4/2003	Shilling et al.	D34/6
D527,223	S *	8/2006	Thun	D7/524
2007/0101870	A1 *	5/2007	Liu et al.	99/495

* cited by examiner

Primary Examiner—Philip S. Hyder

Assistant Examiner—Cynthia Underwood

(74) *Attorney, Agent, or Firm*—Cowan, Liebowitz & Latman, PC

(57) **CLAIM**

The ornamental design for a tea infuser, as shown and described.

DESCRIPTION

FIG. 1 is a perspective view of the tea infuser showing my design thereof;

FIG. 2 is a front view thereof;

FIG. 3 is a rear view thereof;

FIG. 4 is a left side view thereof;

FIG. 5 is a right side view thereof;

FIG. 6 is a top view thereof;

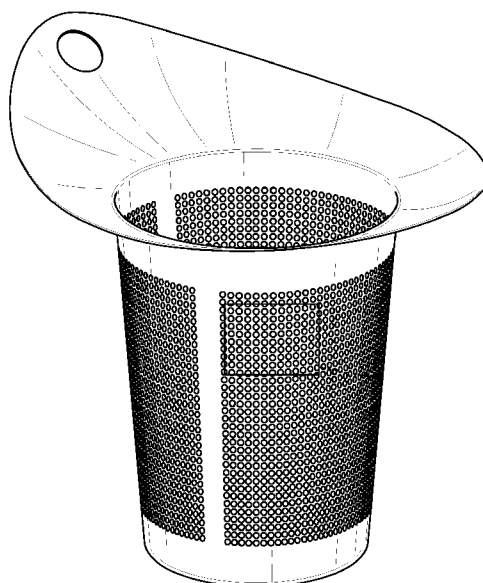
FIG. 7 is a bottom view thereof;

FIG. 8 is a front cross-sectional view thereof taken along line 8—8 of FIG. 6; and,

FIG. 9 is an enlarged view of a mesh-like construction usable in the areas encompassed by the white dotted lines in FIGS. 1-8.

A new and original design for the tea infuser is shown in FIGS. 1-8. The tea infuser shown in FIGS. 1-8 includes three substantially rectangular screen or mesh-like areas around the walls of the tea infuser. The borders of these areas are shown in dotted white line and, as can be seen, the areas are laterally spaced from each other. Each mesh area has rows of apertures, each row extending over the width of the area, the rows of apertures extending along the length of the area. FIG. 9 shows a portion of a typical mesh-like construction of each area.

1 Claim, 9 Drawing Sheets



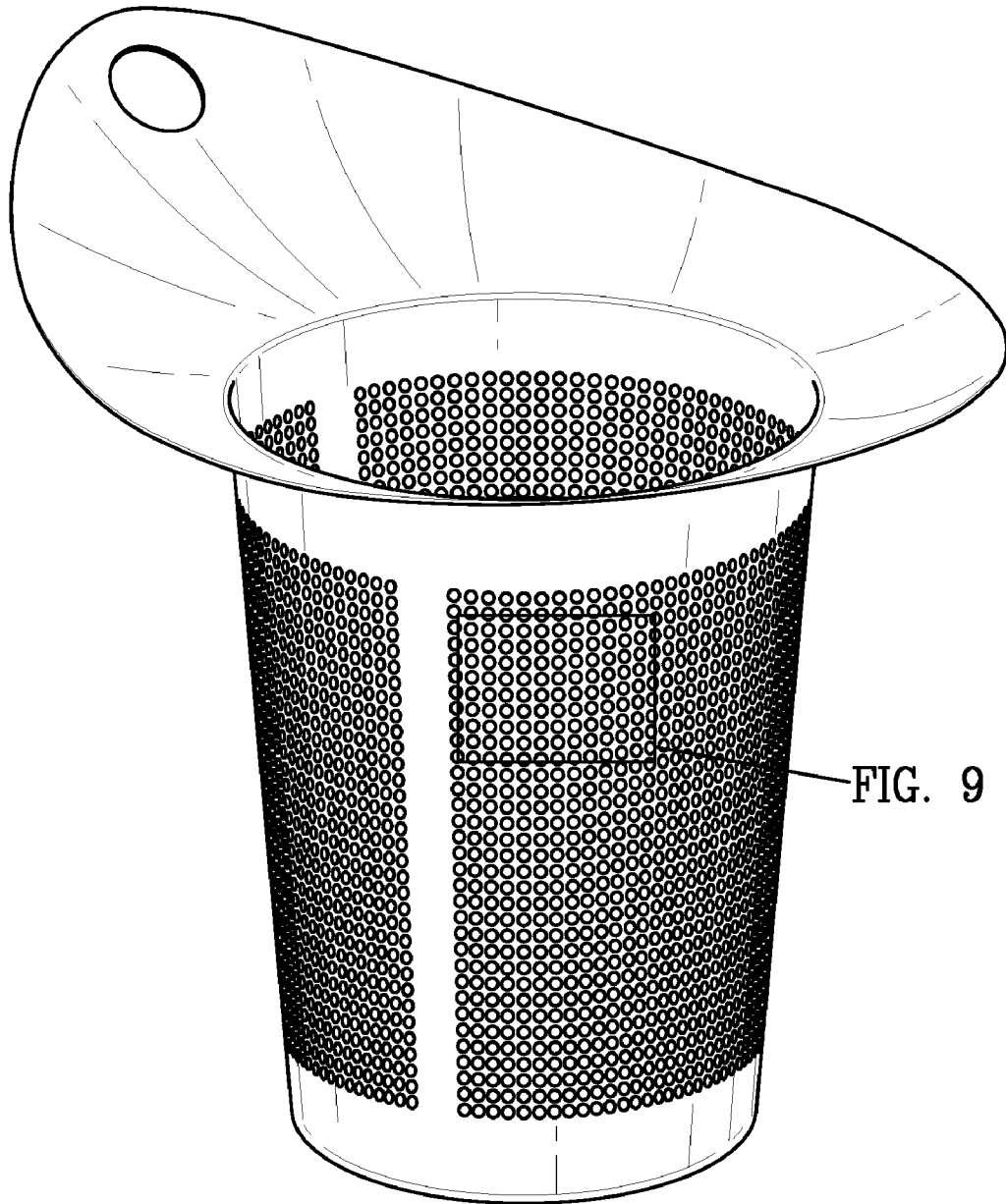


FIG. 1

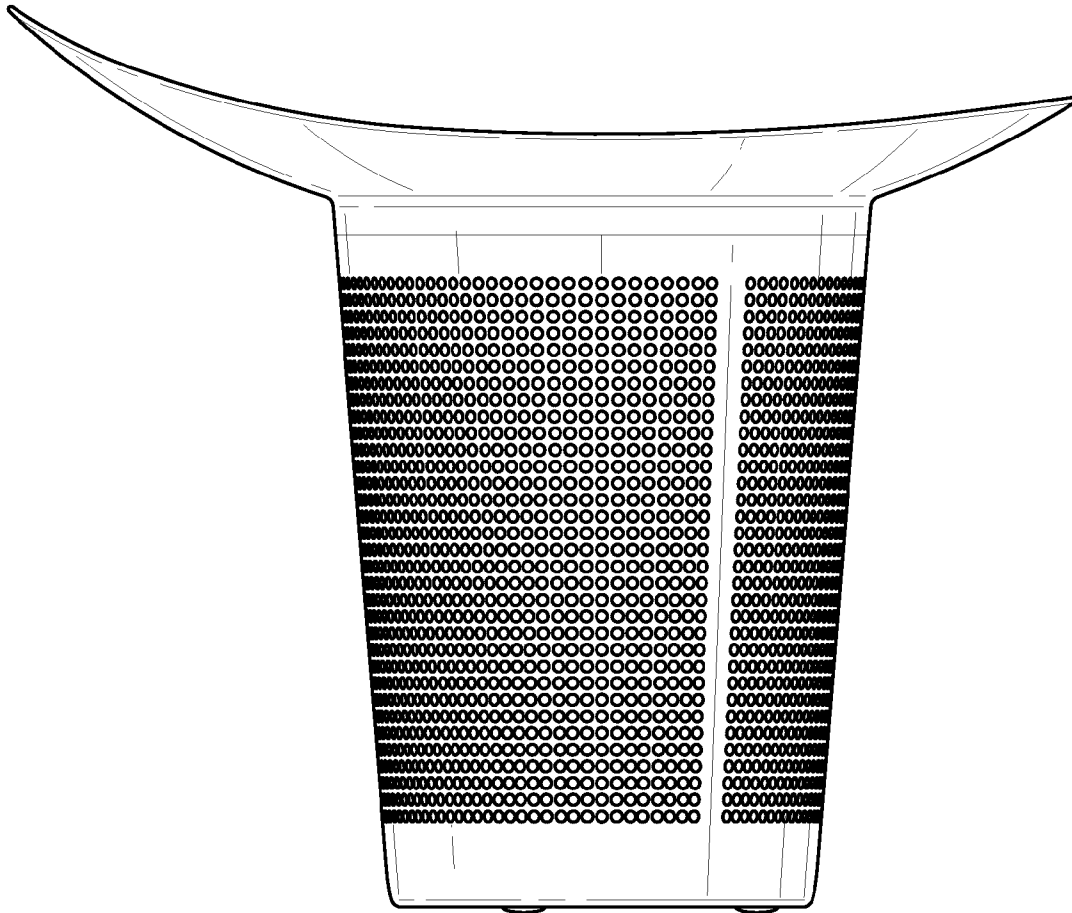


FIG. 2

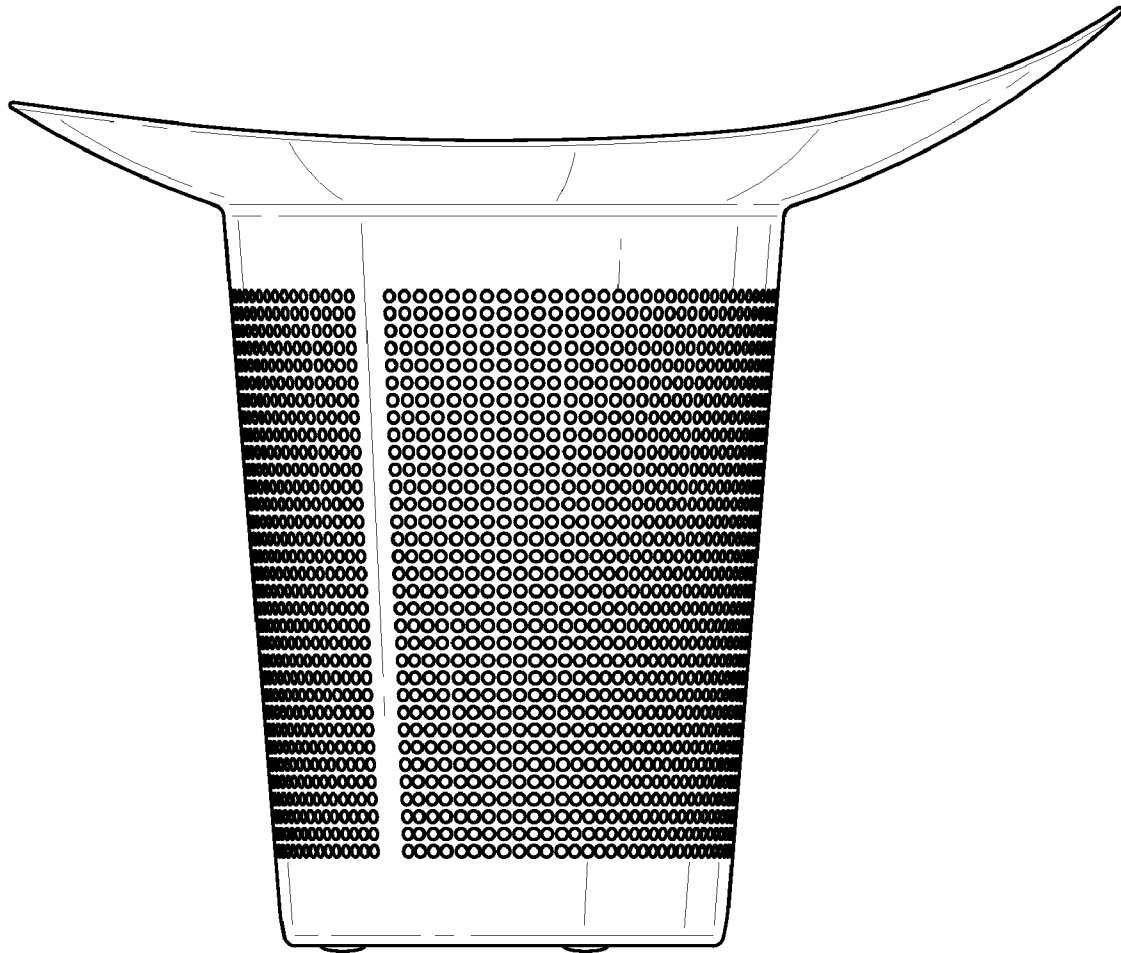


FIG. 3

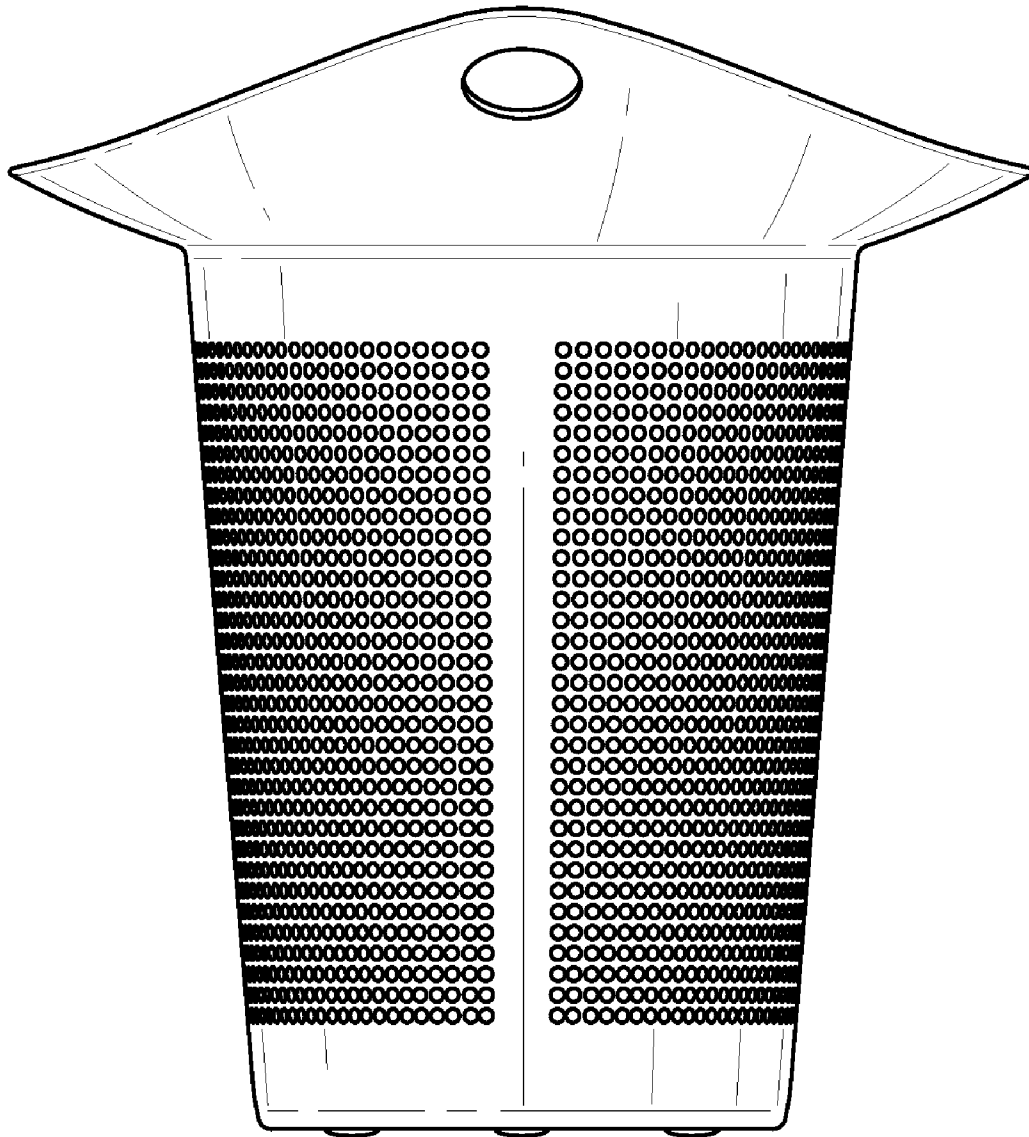


FIG. 4

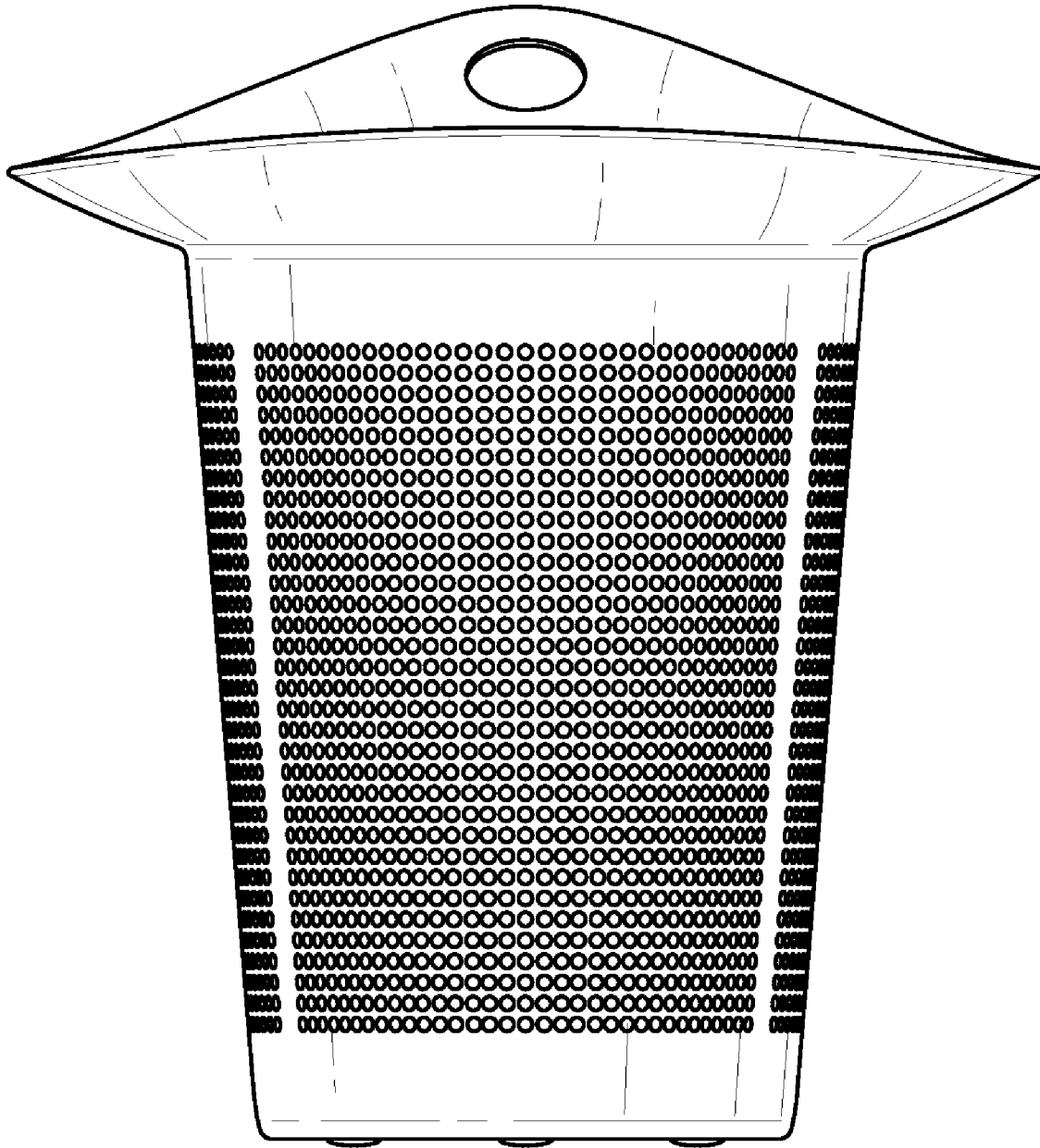


FIG. 5

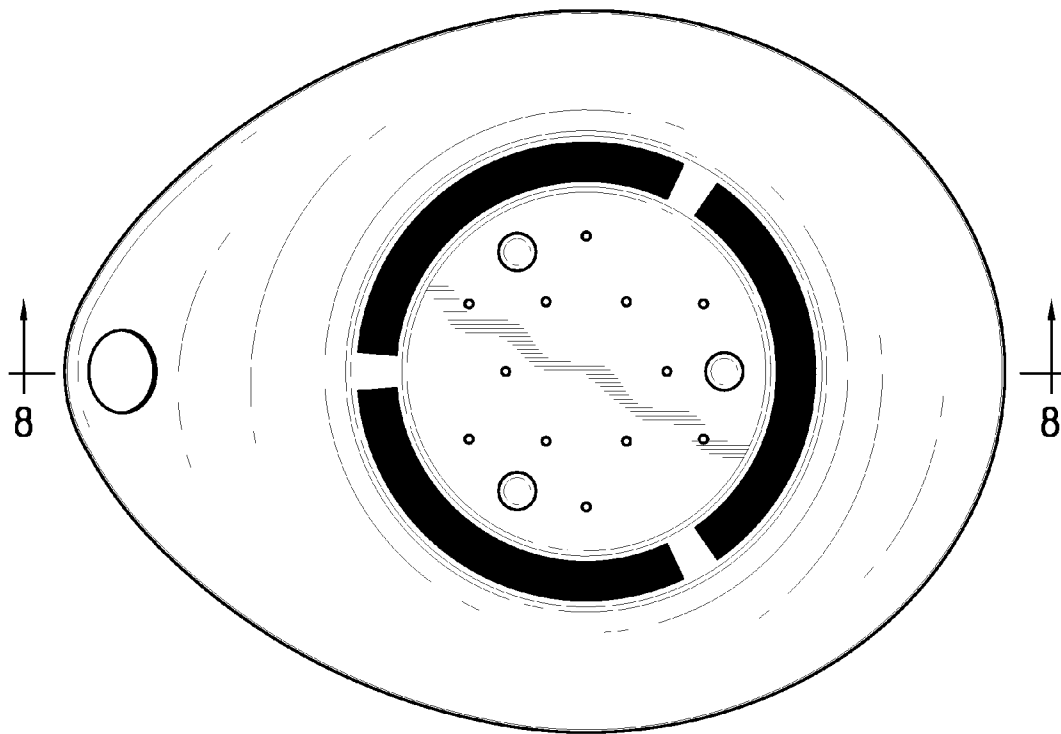


FIG. 6

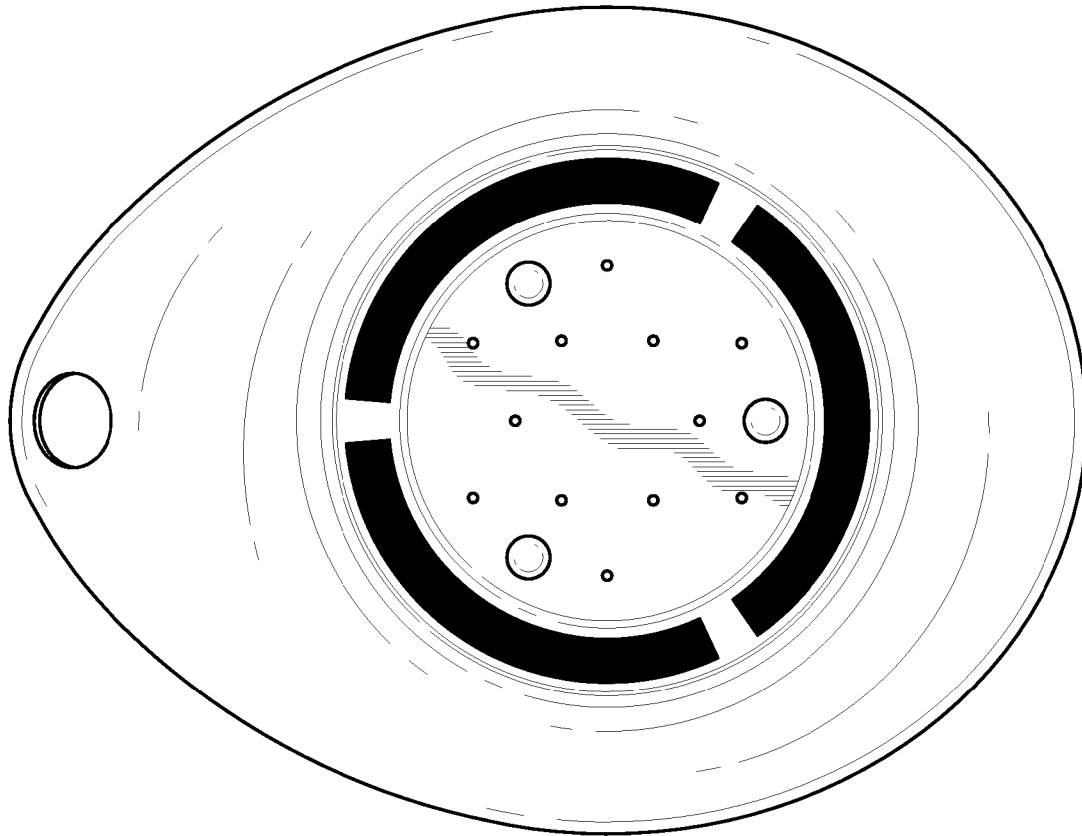


FIG. 7

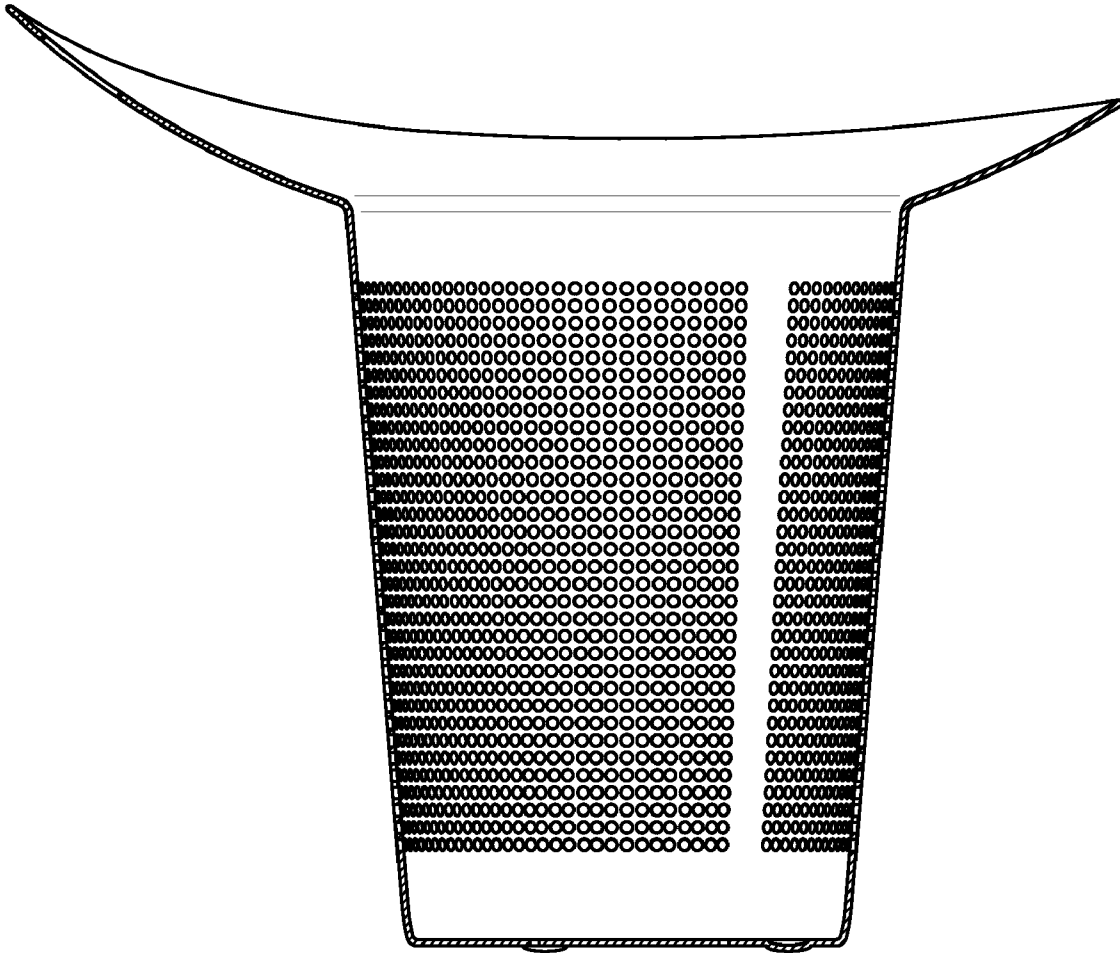


FIG. 8

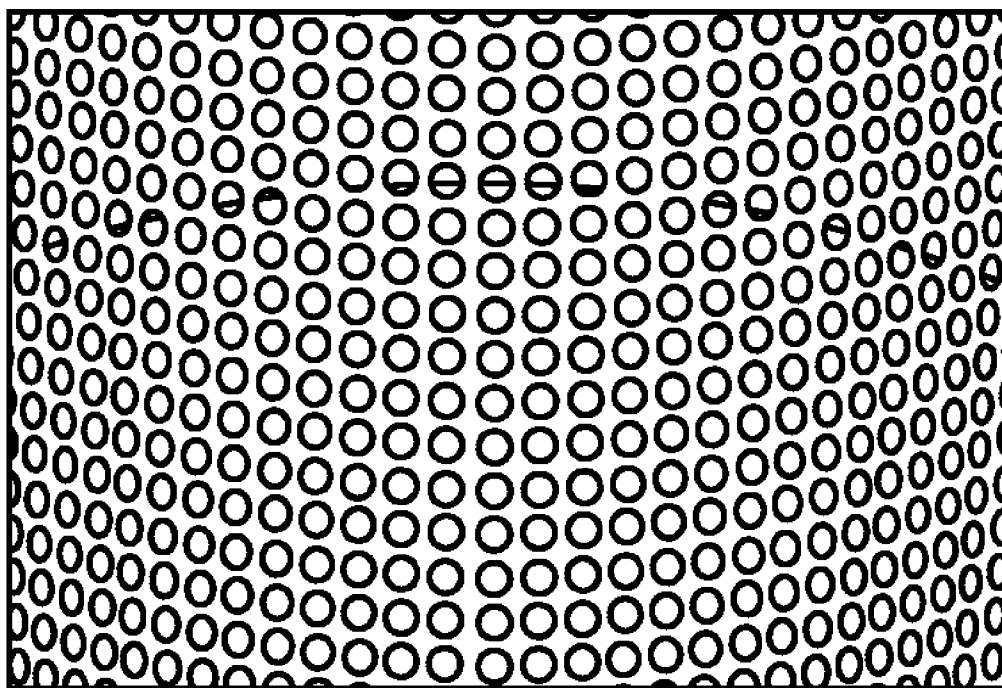


FIG. 9