



(12) **United States Design Patent**
Zhang

(10) **Patent No.:** **US D1,040,366 S**
(45) **Date of Patent:** **** Aug. 27, 2024**

- (54) **VIBRATOR MASSAGER**
- (71) Applicant: **Beston (Shenzhen) Technology Co., Ltd.**, Shenzhen (CN)
- (72) Inventor: **Zhenbo Zhang**, Shenzhen (CN)
- (73) Assignee: **Beston (Shenzhen) Technology Co., Ltd.**, Shenzhen (CN)
- (**) Term: **15 Years**
- (21) Appl. No.: **29/930,920**
- (22) Filed: **Mar. 4, 2024**

D998,816 S *	9/2023	Zeng	D24/215
D1,000,628 S *	10/2023	Yan	D24/215
D1,005,513 S *	11/2023	Liao	D24/215
D1,014,771 S	2/2024	Cai	

- (30) **Foreign Application Priority Data**
- Sep. 11, 2023 (CN) 202330587438.4
- (51) **LOC (14) Cl.** **24-01**
- (52) **U.S. Cl.**
- USPC **D24/215**
- (58) **Field of Classification Search**
- USPC D24/141, 200, 211, 212, 213, 214, 215
- CPC A61H 19/34; A61H 19/32; A61H 19/00; A61H 19/44; A61H 19/40; A61H 21/00
- See application file for complete search history.

OTHER PUBLICATIONS

Tracy's Dog Vibrator no Remote, posted at amazon.com, first available Sep. 30, 2018, retrieved May 3, 2024, online, URL: <https://www.amazon.com.au/Vibrators-Waterproof-Rechargeable-stimulator-Vibration/dp/B07GZHJ3NL/ref=> (Year: 2018).*

Tracy's Dog Vibrator with Remote, posted at amazon.com.au, first available May 22, 2022, retrieved May 3, 2024, online, URL: https://www.amazon.com.au/Tracys-Dog-Stimulation-Vibration-Stimulator/dp/B0B1X8VP8K/ref=pd_sbs_d_scl_2_4/357-1437060-3024261? (Year: 2022).*

* cited by examiner

Primary Examiner — Mary Shannon Malley
Assistant Examiner — Michelle Marquart Christeon
 (74) *Attorney, Agent, or Firm* — Kunzler Bean & Adamson, PC; Bryan Pitt

(57) **CLAIM**

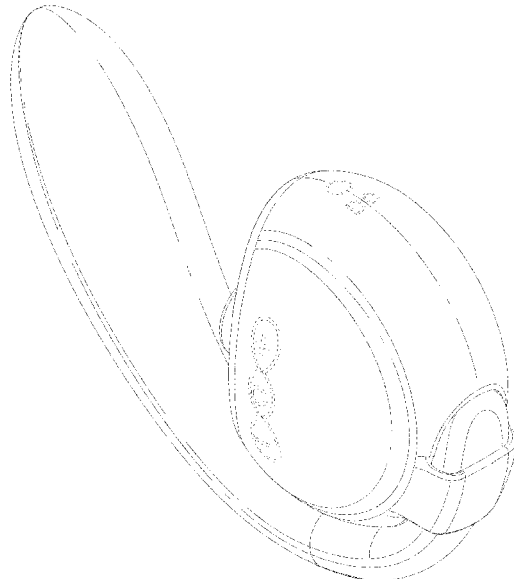
The ornamental design for a vibrator massager, as shown and described.

DESCRIPTION

FIG. 1 is a front, right and top perspective view of a vibrator massager, showing my design.
 FIG. 2 is a rear, left and bottom perspective view thereof.
 FIG. 3 is a front elevation view thereof.
 FIG. 4 is a rear elevation view thereof.
 FIG. 5 is a left side elevation view thereof.
 FIG. 6 is a right side elevation view thereof.
 FIG. 7 is a top plan view thereof; and,
 FIG. 8 is a bottom plan view thereof.
 The broken lines depict portions of the vibrator massager that form no part of the claimed design.

1 Claim, 8 Drawing Sheets

- (56) **References Cited**
- U.S. PATENT DOCUMENTS
- D605,779 S * 12/2009 Murison D24/215
- D681,224 S * 4/2013 Chen D24/215
- D795,445 S * 8/2017 Marshall D24/215
- D877,352 S * 3/2020 Jouffret D24/215
- D952,887 S * 5/2022 Cai D24/215
- D952,890 S * 5/2022 Cai D24/215
- D952,891 S * 5/2022 Cai D24/215
- D975,872 S 1/2023 Cai
- D984,666 S * 4/2023 Cai D24/215
- D988,528 S * 6/2023 Dunham D24/215
- D998,165 S * 9/2023 Sridhar D24/215



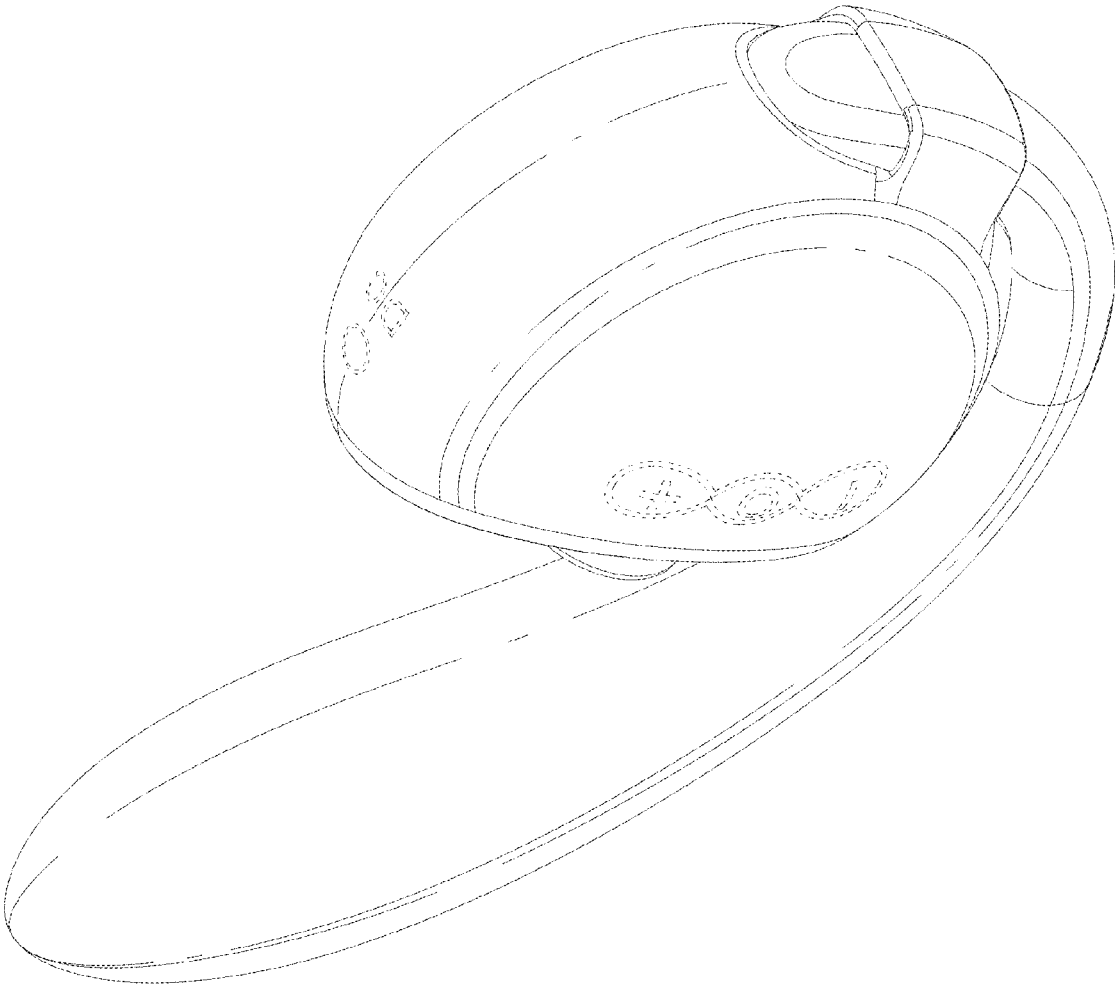


FIG. 1

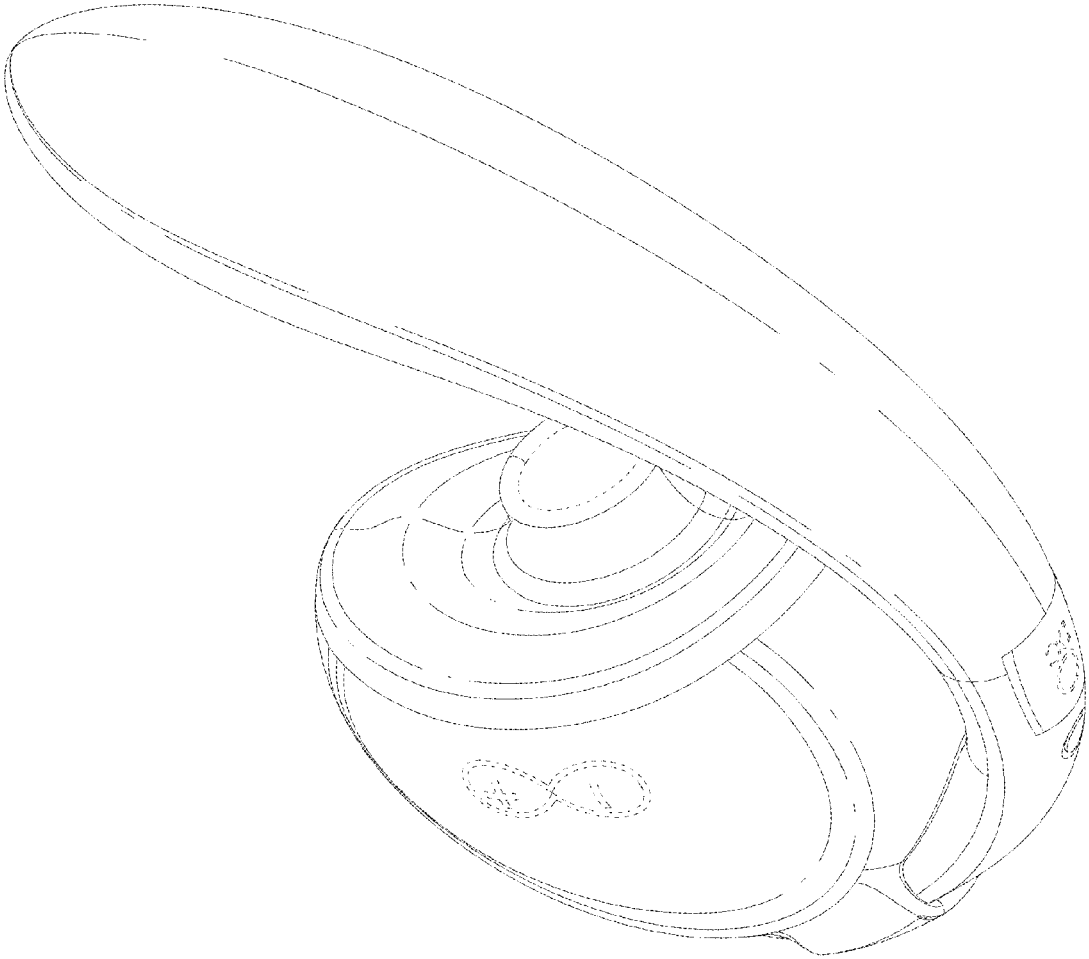


FIG. 2

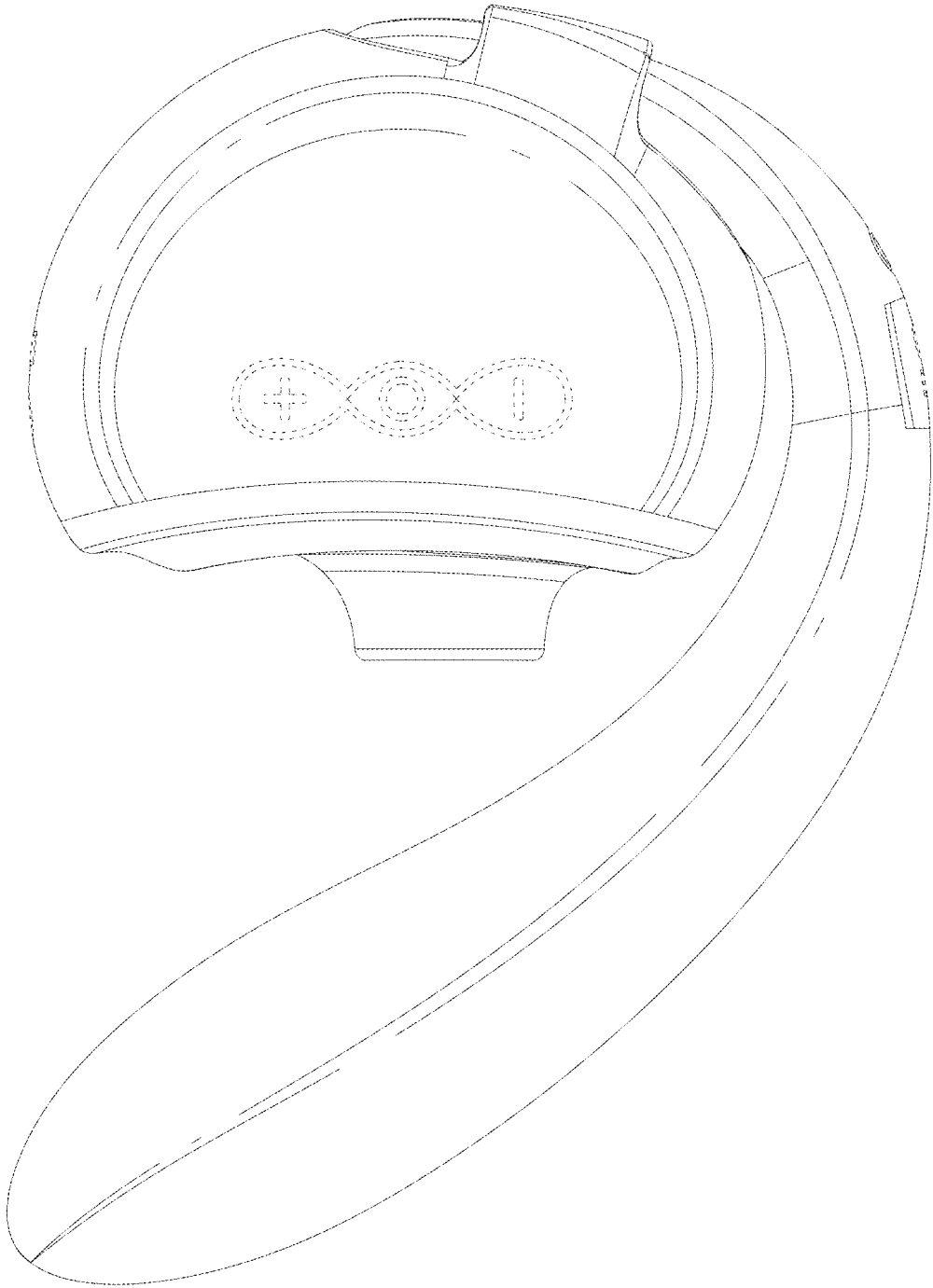


FIG. 3

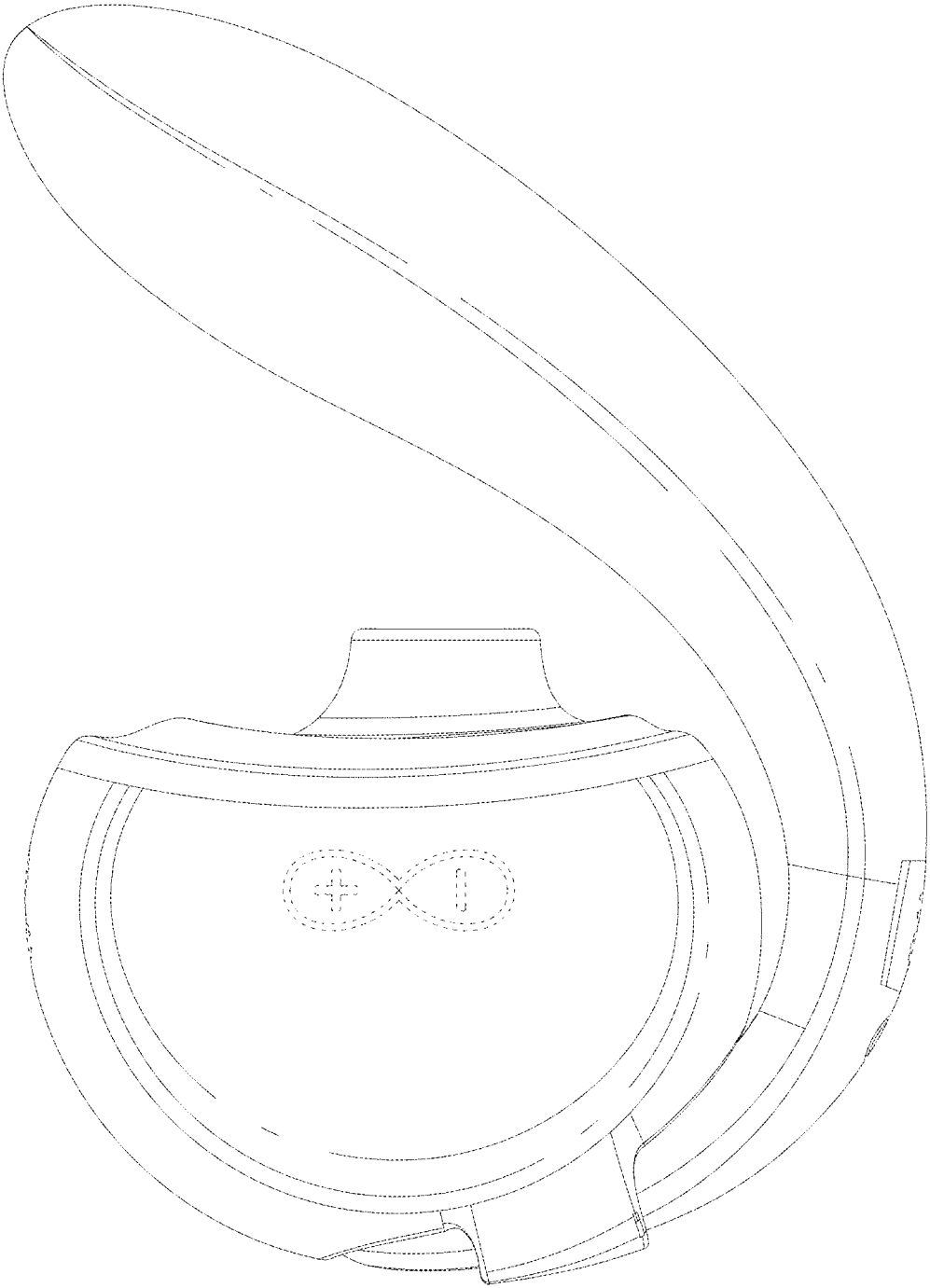


FIG. 4

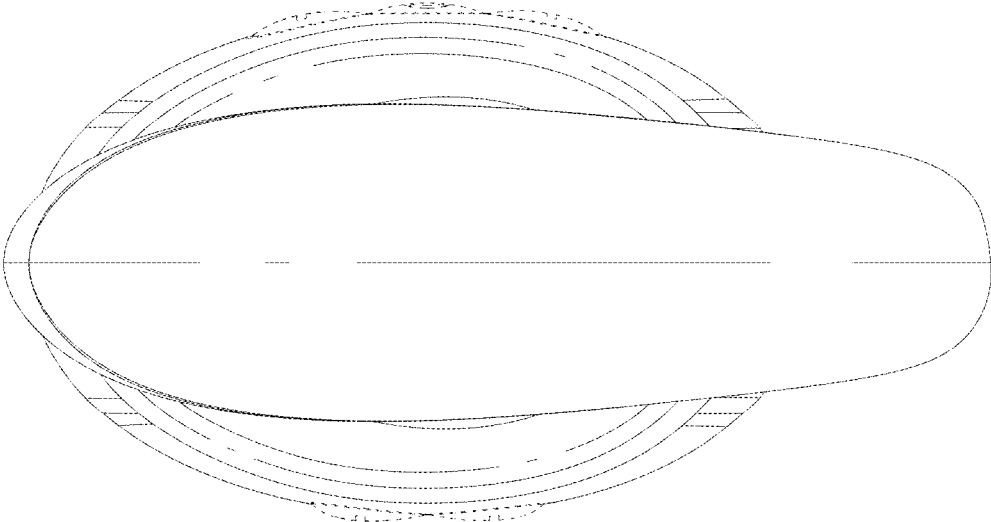


FIG. 5

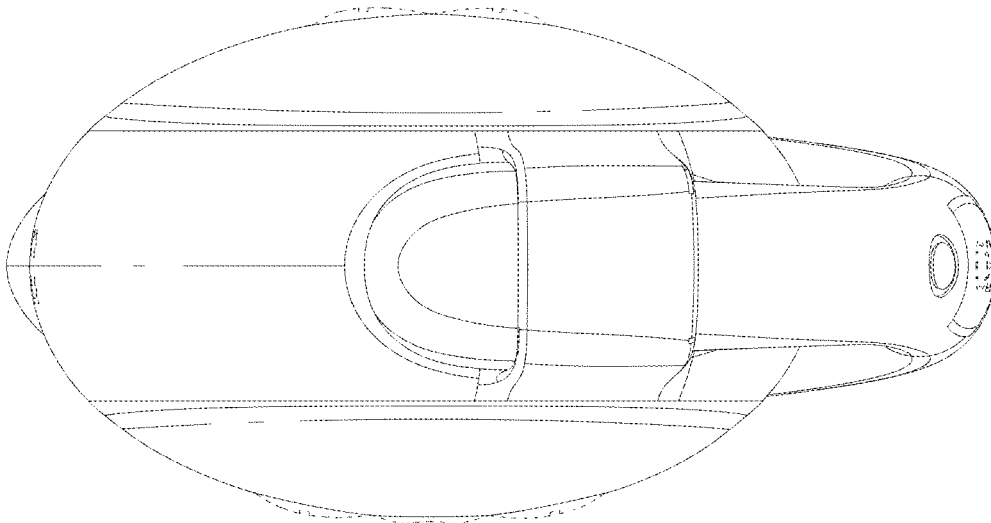


FIG.6

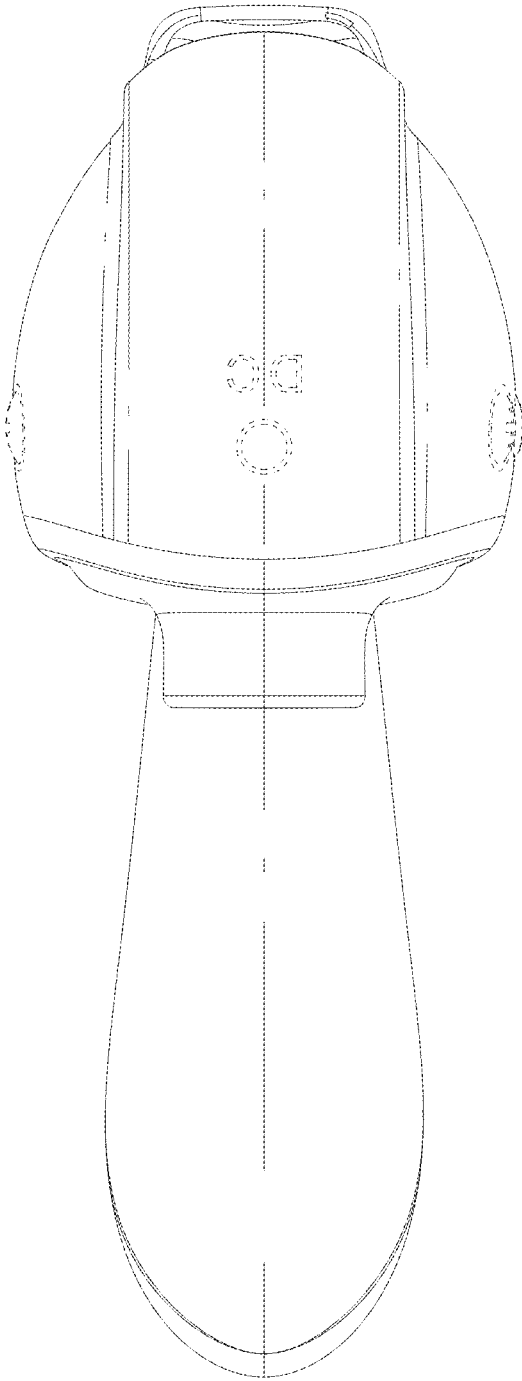


FIG. 7

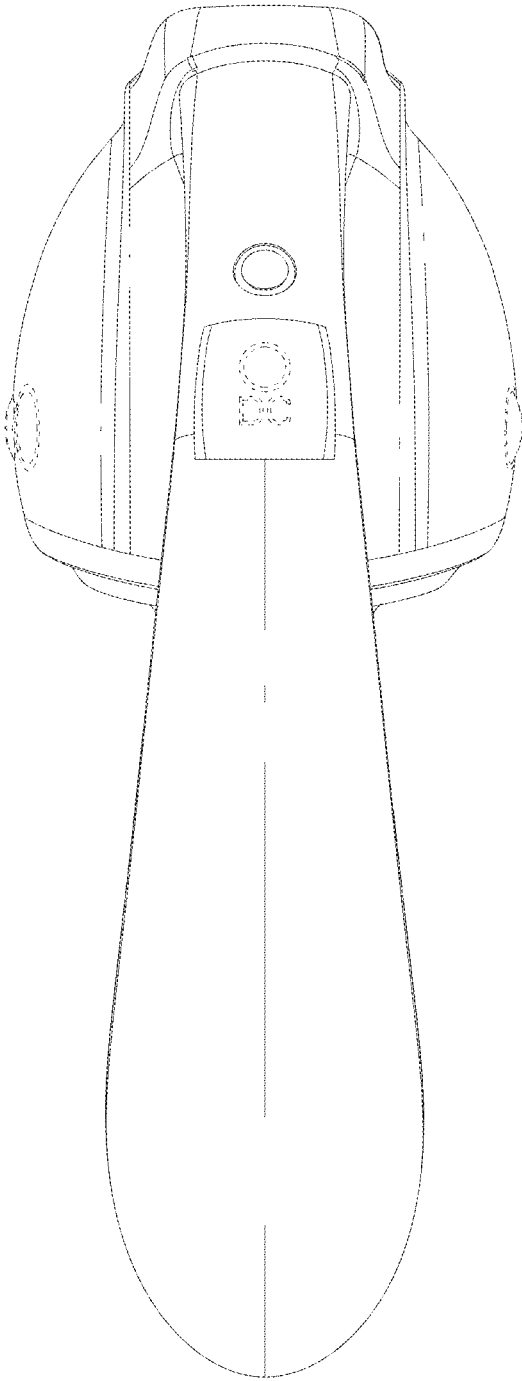


FIG. 8