

(19) World Intellectual Property Organization  
International Bureau



(43) International Publication Date  
22 March 2007 (22.03.2007)

PCT

(10) International Publication Number  
**WO 2007/032769 A3**

(51) International Patent Classification:  
A47B 57/00 (2006.01)

(21) International Application Number:

PCT/US2005/038564

(22) International Filing Date: 25 October 2005 (25.10.2005)

(25) Filing Language:

English

(26) Publication Language:

English

(30) Priority Data:

11/224,292 13 September 2005 (13.09.2005) US

(71) Applicant and

(72) Inventor: THORSEN, Michael, L. [US/US]; 870 South Ehrenberg Road, Golden Valley, AZ 86413 (US).

(74) Agents: JONES, Robert, D. et al.; Litman Law offices, Ltd., P.O. Box 15035, Crystal City Station, Arlington, VA 22215 (US).

(81) Designated States (unless otherwise indicated, for every kind of national protection available): AE, AG, AL, AM, AT, AU, AZ, BA, BB, BG, BR, BW, BY, BZ, CA, CH, CN,

CO, CR, CU, CZ, DE, DK, DM, DZ, EC, EE, EG, ES, FI, GB, GD, GE, GH, GM, HR, HU, ID, IL, IN, IS, JP, KE, KG, KM, KP, KR, KZ, LC, LK, LR, LS, LT, LU, LV, LY, MA, MD, MG, MK, MN, MW, MX, MZ, NA, NG, NI, NO, NZ, OM, PG, PH, PL, PT, RO, RU, SC, SD, SE, SG, SK, SL, SM, SY, TJ, TM, TN, TR, TT, TZ, UA, UG, US, UZ, VC, VN, YU, ZA, ZM, ZW.

(84) Designated States (unless otherwise indicated, for every kind of regional protection available): ARIPO (BW, GH, GM, KE, LS, MW, MZ, NA, SD, SL, SZ, TZ, UG, ZM, ZW), Eurasian (AM, AZ, BY, KG, KZ, MD, RU, TJ, TM), European (AT, BE, BG, CH, CY, CZ, DE, DK, EE, ES, FI, FR, GB, GR, HU, IE, IS, IT, LT, LU, LV, MC, NL, PL, PT, RO, SE, SI, SK, TR), OAPI (BF, BJ, CF, CG, CI, CM, GA, GN, GQ, GW, ML, MR, NE, SN, TD, TG).

Published:

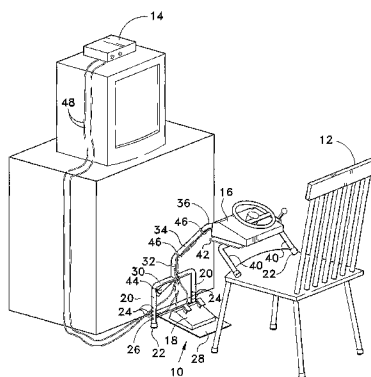
— with international search report

(88) Date of publication of the international search report:

1 November 2007

For two-letter codes and other abbreviations, refer to the "Guidance Notes on Codes and Abbreviations" appearing at the beginning of each regular issue of the PCT Gazette.

(54) Title: STEERING WHEEL STAND FOR ELECTRONIC GAME CONTROL



(57) Abstract: The steering wheel stand (10) for an electronic game control is an apparatus for supporting a game controller (16) having a steering wheel. The stand (10) supports the game controller (16) in a manner that simulates the driving experience. The steering wheel stand (10) includes a frame (32, 36, 40) made of hollow tubing, which rests on a pair of base legs (20). The base legs (20) bend toward the user at one end, and contact the surface on which the user is seated, at the opposite end. The frame is telescopically adjustable to allow for users of different sizes. The base legs (20) also support a pedal plate (28) for the placement of a video game's pedal controls (18). The pedal plate (28) may be vertically adjusted to accommodate users of different leg lengths. The steering wheel controls (16) sit on a tray (42) on top of the frame in front of the user.



WO 2007/032769 A3

## INTERNATIONAL SEARCH REPORT

International application No

PCT/US05/38564

**A CLASSIFICATION OF SUBJECT MATTER**

IPC(8) - A47B 57/00 (2007.01)

USPC - 463/36

According to International Patent Classification (IPC) or to both national classification and IPC

**B FIELDS SEARCHED**

Minimum documentation searched (classification system followed by classification symbols)

IPC(8) - A47B 57/00 (2007 01)

USPC - 463/6, 36-38, 273/309, 442, 108/43, 446/7

Documentation searched other than minimum documentation to the extent that such documents are included in the fields searched

Electronic data base consulted during the international search (name of data base and, where practicable, search terms used)

USPTO EAST System (US, USPG-PUB, EPO, DERWENT), PatBase, IP com, DialogPro

**C DOCUMENTS CONSIDERED TO BE RELEVANT**

Category*	Citation of document, with indication, where appropriate, of the relevant passages	Relevant to claim No
X	US 2005/01 59219 A1 (OSWALD) 21 July 2005 (21 07 2005) entire document	1-3, 7, 10, 13
Y		4-6, 8, 9, 11, 12
Y	US 20050132939 A1 (MCCLELLION) 23 June 2005 (23 06 2005) entire document	4-6
Y	US 6,083,106 A (MCDOWELL) 04 July 2000 (04 07 2000) entire document	8, 9
Y	US 6 044,772 A (GAUDETTE et al) 04 April 2000 (04 04 2000) entire document	11
Y	US 6,776,104 B2 (HERBST) 17 August 2004 (17 08 2004) entire document	12

**D** Further documents are listed in the continuation of Box C 

\* Special categories of cited documents

"A" document defining the general state of the art which is not considered to be of particular relevance

"E" earlier application or patent but published on or after the international filing date

"L" document which may throw doubts on priority claim(s) or which is cited to establish the publication date of another citation or other special reason (as specified)

"O" document referring to an oral disclosure, use, exhibition or other means

"P" document published prior to the international filing date but later than the priority date claimed

"T" later document published after the international filing date or priority date and not in conflict with the application but cited to understand the principle or theory underlying the invention

"X" document of particular relevance, the claimed invention cannot be considered novel or cannot be considered to involve an inventive step when the document is taken alone

"Y" document of particular relevance, the claimed invention cannot be considered to involve an inventive step when the document is combined with one or more other such documents, such combination being obvious to a person skilled in the art

"&amp;" document member of the same patent family

Date of the actual completion of the international search

26 May 2007

Date of mailing of the international search report

**17 AUG 2007**

Name and mailing address of the ISA/US

Mail Stop PCT, Attn ISA/US, Commissioner for Patents  
P O Box 1450, Alexandria, Virginia 22313-1450

Facsimile No 571-273-3201

Authorized officer

Blame R Copenheaver

PCT Helpdesk 571-272-4300  
PCT OSP 571-272-7774