

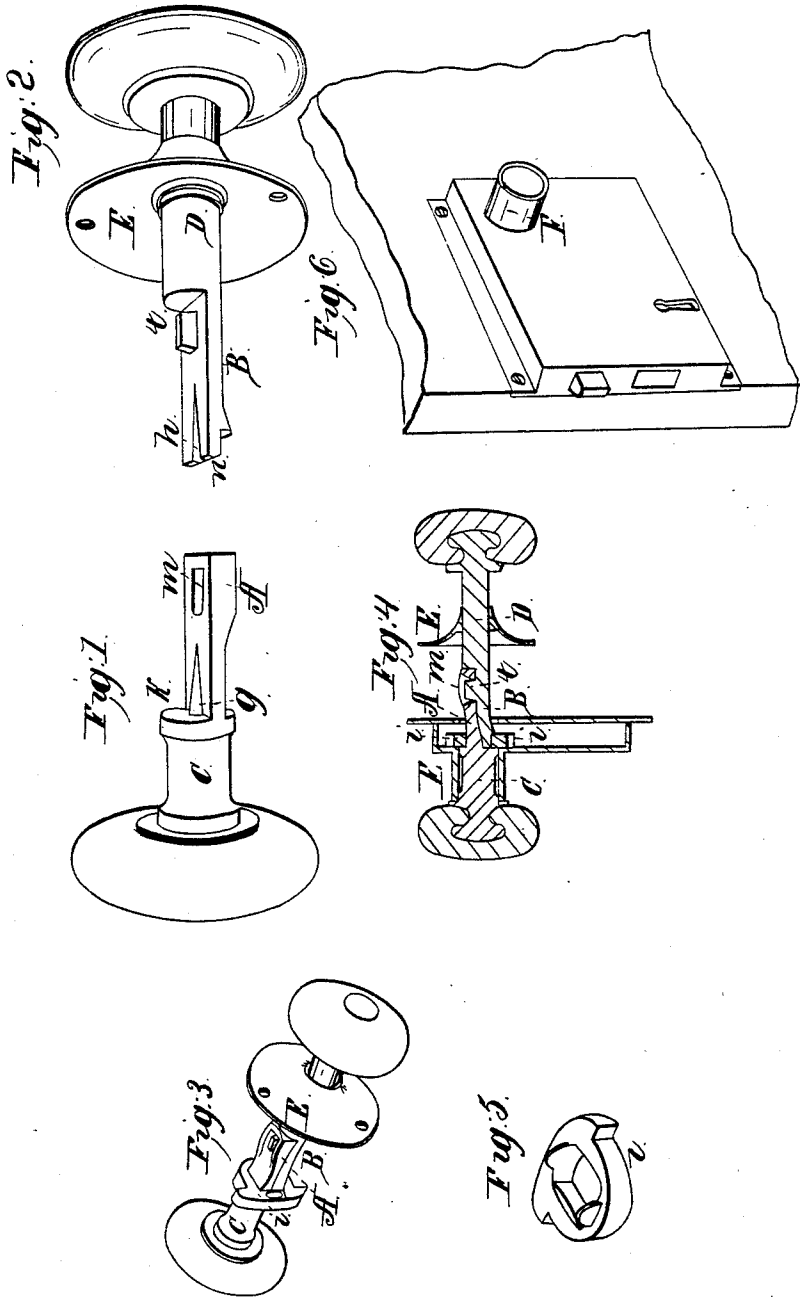
358

*Livingston, Roggen & Adams,*

*Knob Attachment,*

*No. 84,*

*A. S. Patented Dec. 11, 1847.*



358

EDW. BOOM

*Livingston, Roggen & Adams,  
Class of Knob Attachment,*

*No 84,*

*A.I. Patented Dec. 11, 1847.*

*Original Pat. No 20 July 7, 1846*

*Knob  
spindles*

