

(19) World Intellectual Property Organization
International Bureau



(43) International Publication Date
2 December 2004 (02.12.2004)

PCT

(10) International Publication Number
WO 2004/104729 A3

- (51) International Patent Classification : **G06F 17/30**⁷
- (21) International Application Number:
PCT/US2004/013741
- (22) International Filing Date: 28 April 2004 (28.04.2004)
- (25) Filing Language: English
- (26) Publication Language: English
- (30) Priority Data:
10/441,714 19 May 2003 (19.05.2003) US
- (71) Applicant (for all designated States except US): **CROSS-ROADS SYSTEMS, INC.** [US/US]; 8300 North MoPac Expressway, Austin, TX 78759 (US).
- (72) Inventors: **EWING, David, B.**; 266 Natchez Trail, Huntsville, AL 35806 (US). **BANKS, Kevin, R.**; 325 Holly Springs Drive, Madison, AL 35758 (US). **MARTINDALE, Rick, A.**; 144 Misty Hollow Way, Huntsville, AL 35806 (US).
- (74) Agents: **SPRINKLE, Steven, R.** et al.; Sprinkle IP Law Group, 1301 W. 25th Street, Suite 408, Austin, TX 78705 (US).
- (81) Designated States (unless otherwise indicated, for every kind of national protection available): AE, AG, AL, AM,

AT, AU, AZ, BA, BB, BG, BR, BW, BY, BZ, CA, CH, CN, CO, CR, CU, CZ, DE, DK, DM, DZ, EC, EE, EG, ES, FI, GB, GD, GE, GH, GM, HR, HU, ID, IL, IN, IS, JP, KE, KG, KP, KR, KZ, LC, LK, LR, LS, LT, LU, LV, MA, MD, MG, MK, MN, MW, MX, MZ, NA, NI, NO, NZ, OM, PG, PH, PL, PT, RO, RU, SC, SD, SE, SG, SK, SL, SY, TJ, TM, TN, TR, TT, TZ, UA, UG, US, UZ, VC, VN, YU, ZA, ZM, ZW.

(84) Designated States (unless otherwise indicated, for every kind of regional protection available): ARIPO (BW, GH, GM, KE, LS, MW, MZ, NA, SD, SL, SZ, TZ, UG, ZM, ZW), Eurasian (AM, AZ, BY, KG, KZ, MD, RU, TJ, TM), European (AT, BE, BG, CH, CY, CZ, DE, DK, EE, ES, FI, FR, GB, GR, HU, IE, IT, LU, MC, NL, PL, PT, RO, SE, SI, SK, TR), OAPI (BF, BJ, CF, CG, CI, CM, GA, GN, GQ, GW, ML, MR, NE, SN, TD, TG).

Declaration under Rule 4.17:

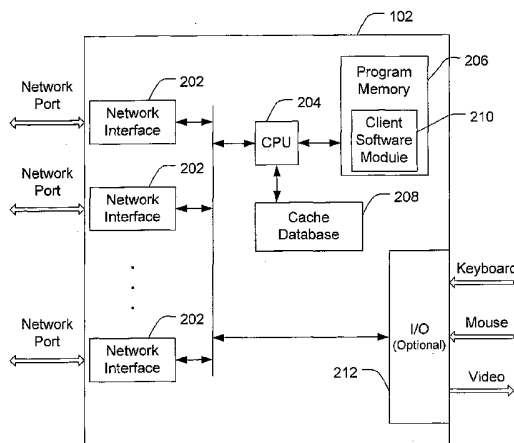
— as to applicant's entitlement to apply for and be granted a patent (Rule 4.17(ii))

Published:

— with international search report
— before the expiration of the time limit for amending the claims and to be republished in the event of receipt of amendments

[Continued on next page]

(54) Title: SYSTEM AND METHOD FOR QUERY RESULT CACHING



(57) Abstract: A method, performed in a result caching system (102), for query result caching comprises providing a query result database (208) comprising at least one query result record (500), each query result record (500) associated with a query, receiving (902) from a requestor a query request intended for a server, and determining (916) if the query request is represented by a query result record (500) in the query result database (208). The method further comprises, responsive to determining that the query result record (500) representing the query request is found in the query result database (208), retrieving and transmitting (918) to the requestor a query response to the query request, wherein the query response is retrieved from the query result database (208), and responsive to determining that the query result record (500) representing the query request is not found in the query result database (208), creating (924) a new query result record (500) representing the query request in the query result database (208) and transmitting the query request to the server.

WO 2004/104729 A3



(88) Date of publication of the international search report:

6 April 2006

For two-letter codes and other abbreviations, refer to the "Guidance Notes on Codes and Abbreviations" appearing at the beginning of each regular issue of the PCT Gazette.

INTERNATIONAL SEARCH REPORT

International application No.

PCT/US04/13741

A. CLASSIFICATION OF SUBJECT MATTER

IPC(7) : G06F 17/30
 US CL : 707/2,3,10; 709/203

According to International Patent Classification (IPC) or to both national classification and IPC

B. FIELDS SEARCHED

Minimum documentation searched (classification system followed by classification symbols)
 U.S. : 707/2,3,10; 709/203

Documentation searched other than minimum documentation to the extent that such documents are included in the fields searched

Electronic data base consulted during the international search (name of data base and, where practicable, search terms used)
 EAST

C. DOCUMENTS CONSIDERED TO BE RELEVANT

Category *	Citation of document, with indication, where appropriate, of the relevant passages	Relevant to claim No.
Y,P	US 2004/0059719 A1 (GUPTA et al) 25 March 2004 (25.03.2004), Paragraph [0036], [0043 - 0044], [0074 - 0077], and [0094 - 0095].	1-21
Y,P	US 2004/0030682 A1 (PORTER et al) 12 February 2004 (12.02.2004), abstract, Paragraph [0004], [0007 - 0008], [0023 - 0025]	1-21
A	US 6,009,271 A (WHATLEY) 28 December 1999 (28.12.1999), abstract, Figure 2, column 1, line 59 - column 2, line 31.	1-21

Further documents are listed in the continuation of Box C.

See patent family annex.

* Special categories of cited documents:	
"A" document defining the general state of the art which is not considered to be of particular relevance	"T" later document published after the international filing date or priority date and not in conflict with the application but cited to understand the principle or theory underlying the invention
"E" earlier application or patent published on or after the international filing date	"X" document of particular relevance; the claimed invention cannot be considered novel or cannot be considered to involve an inventive step when the document is taken alone
"L" document which may throw doubts on priority claim(s) or which is cited to establish the publication date of another citation or other special reason (as specified)	"Y" document of particular relevance; the claimed invention cannot be considered to involve an inventive step when the document is combined with one or more other such documents, such combination being obvious to a person skilled in the art
"O" document referring to an oral disclosure, use, exhibition or other means	"&" document member of the same patent family
"P" document published prior to the international filing date but later than the priority date claimed	

Date of the actual completion of the international search

05 February 2006 (05.02.2006)

Date of mailing of the international search report

13 FEB 2006

Name and mailing address of the ISA/US

Mail Stop PCT, Attn: ISA/US
 Commissioner for Patents
 P.O. Box 1450
 Alexandria, Virginia 22313-1450

Facsimile No. (571) 273-3201

Authorized officer

Shahid Al Alam

Telephone No. (571) 272-1400

James R. Mastaglio