



- (51) International Patent Classification:
F24J 2/14 (2006.01) F24J 2/52 (2006.01)
- (21) International Application Number:
PCT/IB2010/001394
- (22) International Filing Date:
9 June 2010 (09.06.2010)
- (25) Filing Language: Italian
- (26) Publication Language: English
- (30) Priority Data:
UD2009A000115 9 June 2009 (09.06.2009) IT
- (71) Applicant (for all designated States except US): **VE-TRARIA BIANCADESE DI LUCATELLO & C. SAS** [IT/IT]; Via Paris Bordone, 82 -Frazione Biancade (IT).
- (72) Inventor; and
(75) Inventor/Applicant (for US only): **COGLIATI, Domenico, Paolo Maria** [IT/IT]; Via Spalto Piodo, 16, 20052 Monza (IT).
- (74) Agent: **PETRAZ, Davide, Luigi**; GLP SRL, Piazzale Cavedalis, 6/2, I-33100 Udine (IT).

- (81) Designated States (unless otherwise indicated, for every kind of national protection available): AE, AG, AL, AM, AO, AT, AU, AZ, BA, BB, BG, BH, BR, BW, BY, BZ, CA, CH, CL, CN, CO, CR, CU, CZ, DE, DK, DM, DO, DZ, EC, EE, EG, ES, FI, GB, GD, GE, GH, GM, GT, HN, HR, HU, ID, IL, IN, IS, JP, KE, KG, KM, KN, KP, KR, KZ, LA, LC, LK, LR, LS, LT, LU, LY, MA, MD, ME, MG, MK, MN, MW, MX, MY, MZ, NA, NG, NI, NO, NZ, OM, PE, PG, PH, PL, PT, RO, RS, RU, SC, SD, SE, SG, SK, SL, SM, ST, SV, SY, TH, TJ, TM, TN, TR, TT, TZ, UA, UG, US, UZ, VC, VN, ZA, ZM, ZW.
- (84) Designated States (unless otherwise indicated, for every kind of regional protection available): ARIPO (BW, GH, GM, KE, LR, LS, MW, MZ, NA, SD, SL, SZ, TZ, UG, ZM, ZW), Eurasian (AM, AZ, BY, KG, KZ, MD, RU, TJ, TM), European (AL, AT, BE, BG, CH, CY, CZ, DE, DK, EE, ES, FI, FR, GB, GR, HR, HU, IE, IS, IT, LT, LU, LV, MC, MK, MT, NL, NO, PL, PT, RO, SE, SI, SK, SM, TR), OAPI (BF, BJ, CF, CG, CI, CM, GA, GN, GQ, GW, ML, MR, NE, SN, TD, TG).

Published:

— with international search report (Art. 21(3))

[Continued on next page]

(54) Title: SUPPORT STRUCTURE FOR SOLAR PLANTS

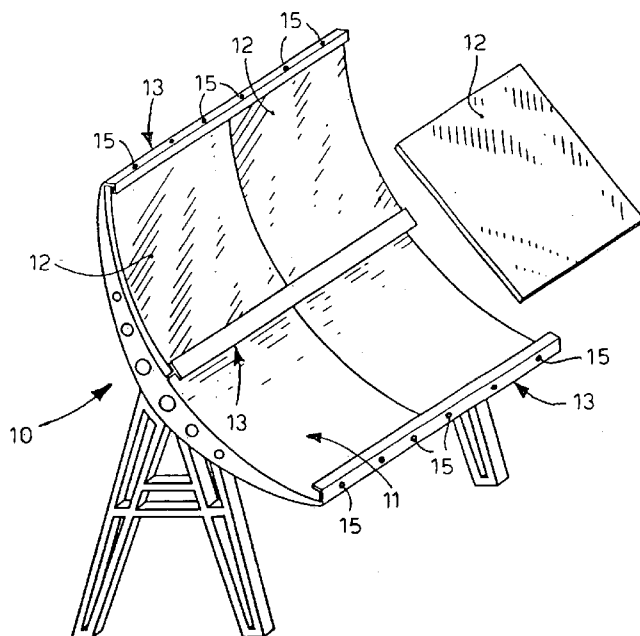


fig. 1

(57) Abstract: Support structure, comprising a supporting wall (11), advantageously with a substantially parabolic profile or suchlike, for solar plants of the concentration type, and able to support at least a thin and flexible reflection plate (12), able to reflect the sun's rays in order to concentrate them in correspondence with collectors to exploit the solar energy. The support structure comprises clamping elements (13) movable with respect to the supporting wall (11), and able to clamp the reflection plate in cooperation with the supporting wall (11). The support structure comprises adjustment means (15) constrained to the clamping elements (13) and able to cooperate with relative elastic means (18) constrained to the supporting wall (11). The elastic means (18) are disposed and conformed with respect to the supporting wall (11) so as to exert an action of traction on the adjustment means (15) and on the clamping elements (13), so as to exert the desired action of deformation on the reflection plate (12).

WO 2010/143050 A3



— *before the expiration of the time limit for amending the claims and to be republished in the event of receipt of amendments (Rule 48.2(h))*

(88) Date of publication of the international search report:
5 January 2012

INTERNATIONAL SEARCH REPORT

International application No PCT/IB2010/001394

A. CLASSIFICATION OF SUBJECT MATTER INV. F24J2/14 F24J2/52 ADD.		
According to International Patent Classification (IPC) or to both national classification and IPC		
B. FIELDS SEARCHED		
Minimum documentation searched (classification system followed by classification symbols) F24J		
Documentation searched other than minimum documentation to the extent that such documents are included in the fields searched		
Electronic data base consulted during the international search (name of data base and, where practical, search terms used) EPO-Internal		
C. DOCUMENTS CONSIDERED TO BE RELEVANT		
Category*	Citation of document, with indication, where appropriate, of the relevant passages	Relevant to claim No.
X	US 4 139 270 A (DOTSON JAMES T) 13 February 1979 (1979-02-13) columns 1,2,5,6; figures 1,3,6,7 -----	1,9
A	US 4 268 332 A (WINDERS GORDON R) 19 May 1981 (1981-05-19) column 4, last paragraph - column 5, paragraph 1; figures 2b,3,4 column 6, lines 10-27 -----	1,9
A	DE 203 18 080 U1 (RESTEMEYER DIETER [DE]) 14 April 2005 (2005-04-14) paragraphs [0022] - [0024]; figures 5,6 -----	1,9
A	US 4 317 444 A (MARUKO SABURO) 2 March 1982 (1982-03-02) columns 2-3; figures 2,3 -----	1,9
-/--		
<input checked="" type="checkbox"/> Further documents are listed in the continuation of Box C.	<input checked="" type="checkbox"/> See patent family annex.	
* Special categories of cited documents :		
"A" document defining the general state of the art which is not considered to be of particular relevance	"T" later document published after the international filing date or priority date and not in conflict with the application but cited to understand the principle or theory underlying the invention	
"E" earlier document but published on or after the international filing date	"X" document of particular relevance; the claimed invention cannot be considered novel or cannot be considered to involve an inventive step when the document is taken alone	
"L" document which may throw doubts on priority claim(s) or which is cited to establish the publication date of another citation or other special reason (as specified)	"Y" document of particular relevance; the claimed invention cannot be considered to involve an inventive step when the document is combined with one or more other such documents, such combination being obvious to a person skilled in the art.	
"O" document referring to an oral disclosure, use, exhibition or other means	"&" document member of the same patent family	
"P" document published prior to the international filing date but later than the priority date claimed		
Date of the actual completion of the international search	Date of mailing of the international search report	
31 October 2011	07/11/2011	
Name and mailing address of the ISA/ European Patent Office, P.B. 5818 Patentlaan 2 NL - 2280 HV Rijswijk Tel. (+31-70) 340-2040, Fax: (+31-70) 340-3016	Authorized officer von Mittelstaedt, A	

INTERNATIONAL SEARCH REPORT

International application No
PCT/IB2010/001394

C(Continuation). DOCUMENTS CONSIDERED TO BE RELEVANT

Category*	Citation of document, with indication, where appropriate, of the relevant passages	Relevant to claim No.
A	EP 0 136 044 A (BRONSTEIN ALLEN I) 3 April 1985 (1985-04-03) figures -----	1,9

INTERNATIONAL SEARCH REPORT

Information on patent family members

International application No PCT/IB2010/001394

Patent document cited in search report	Publication date	Publication date	Patent family member(s)	Publication date
US 4139270	A	13-02-1979	NONE	

US 4268332	A	19-05-1981	NONE	

DE 20318080	U1	14-04-2005	NONE	

US 4317444	A	02-03-1982	AU 531987 B2	15-09-1983
			AU 5544980 A	04-09-1980
			DE 3064612 D1	29-09-1983
			EP 0015487 A1	17-09-1980
			JP 1104556 C	16-07-1982
			JP 55116052 A	06-09-1980
			JP 56050173 B	27-11-1981

EP 0136044	A	03-04-1985	AU 574093 B2	30-06-1988
			AU 3189384 A	28-02-1985
			IL 72733 A	31-08-1988
			IN 162584 A1	11-06-1988
			JP 60090301 A	21-05-1985
			MX 161367 A	18-09-1990
			PH 20952 A	10-06-1987
			US 4510923 A	16-04-1985
			ZA 8406189 A	27-03-1985
