



US00D586137S

(12) **United States Design Patent**
Massaud

(10) **Patent No.:** **US D586,137 S**

(45) **Date of Patent:** **** Feb. 10, 2009**

(54) **CHAIR**

(75) Inventor: **Jean Marie Massaud**, Paris (FR)

(73) Assignee: **Arper S.p.A.**, Monastier di Treviso,
Treviso (IT)

(**) Term: **14 Years**

(21) Appl. No.: **29/322,572**

(22) Filed: **Aug. 7, 2008**

(30) **Foreign Application Priority Data**

Feb. 7, 2008 (IT) BS2008O0011

(51) **LOC (9) Cl.** **06-01**

(52) **U.S. Cl.** **D6/366**

(58) **Field of Classification Search** D6/334-336,
D6/364, 365, 366, 374, 375, 376, 379, 380,
D6/498, 500-502; 297/411.4, 445.1, 446.1,
297/452.12, 452.14, 452.21, 452.29, 452.32,
297/452.5, DIG. 2

See application file for complete search history.

(56) **References Cited**

U.S. PATENT DOCUMENTS

3,521,929 A * 7/1970 Pearson 297/452.14
D245,378 S * 8/1977 Roericht D6/366
D270,020 S * 8/1983 Drabert D6/366
D350,033 S * 8/1994 Beaulieu D6/366

D378,170 S * 2/1997 Beaulieu D6/366
D396,155 S * 7/1998 Shamir D6/502
D433,853 S * 11/2000 Shamir D6/500
D439,449 S * 3/2001 Klinkhammer D6/500
D492,494 S * 7/2004 Tai D6/366
D516,827 S * 3/2006 Mourgue D6/366
D554,382 S * 11/2007 Nobles et al. D6/366
D560,380 S * 1/2008 Mourgue D6/366
D560,381 S * 1/2008 Dauphin D6/366
D568,617 S * 5/2008 Jehs et al. D6/366

* cited by examiner

Primary Examiner—Mimosa De

(74) *Attorney, Agent, or Firm*—Shoemaker and Mattare

(57) **CLAIM**

The ornamental design for a chair, as shown and described.

DESCRIPTION

FIG. 1 is a rear elevational view of a chair, showing my new design;

FIG. 2 is a front elevational view thereof;

FIG. 3 is a right side view thereof;

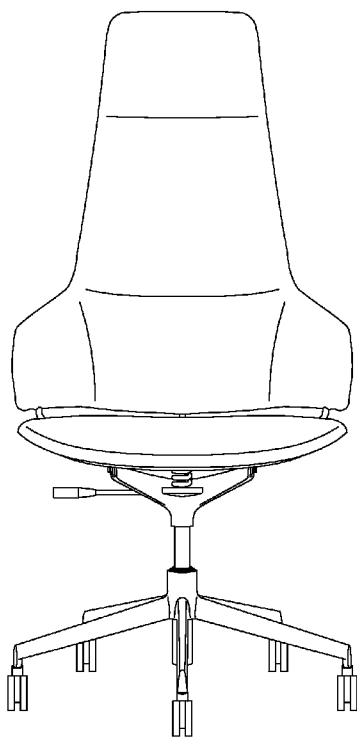
FIG. 4 is a perspective view thereof, from the front and right side;

FIG. 5 is a left side view thereof;

FIG. 6 is a bottom plan view thereof; and,

FIG. 7 is a top plan view thereof.

1 Claim, 7 Drawing Sheets



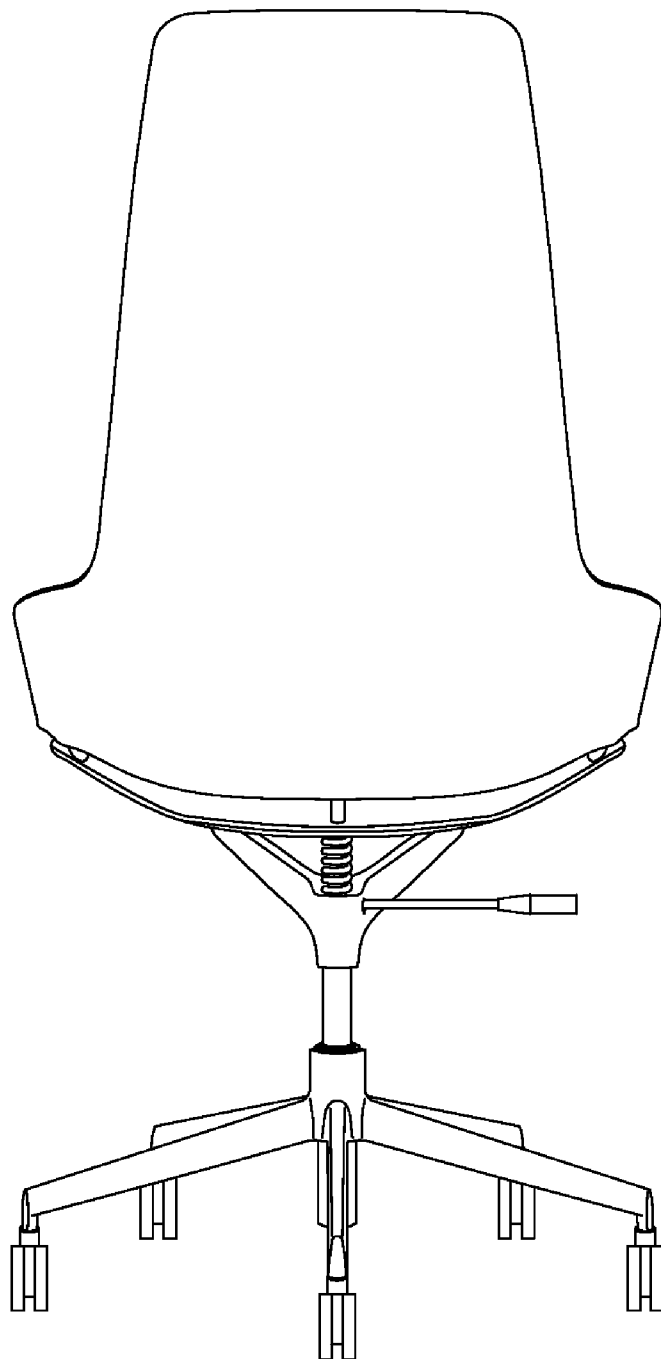


Fig. 1

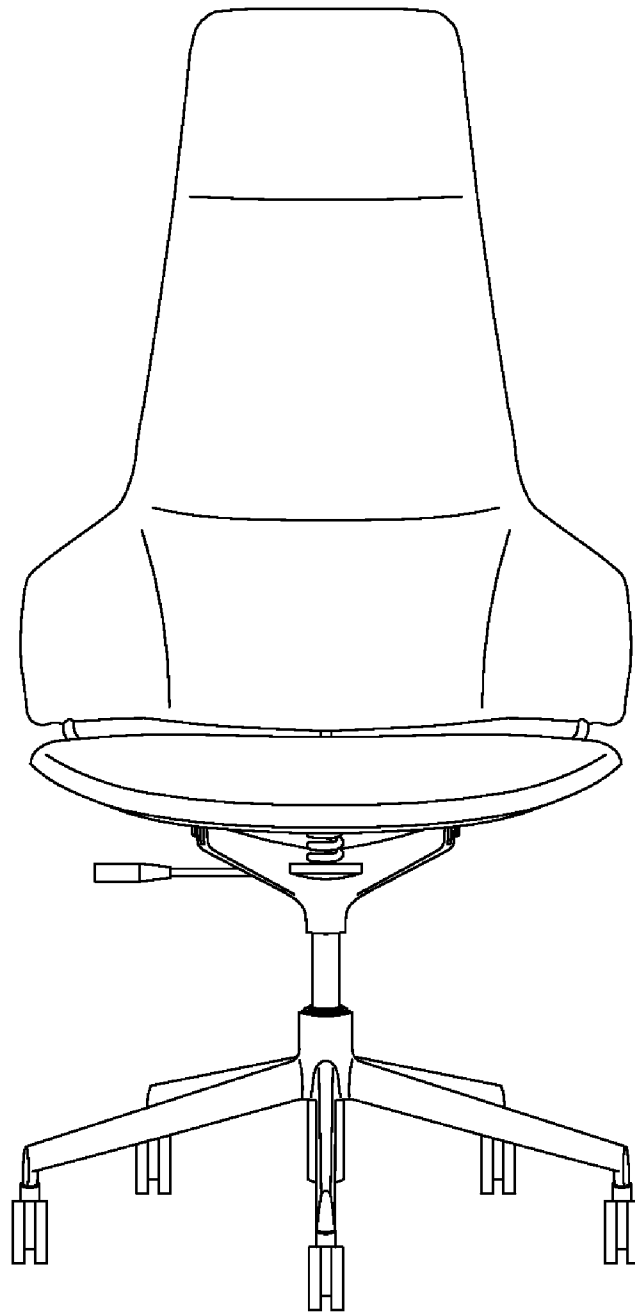


Fig. 2



Fig. 3



Fig. 4



Fig. 5

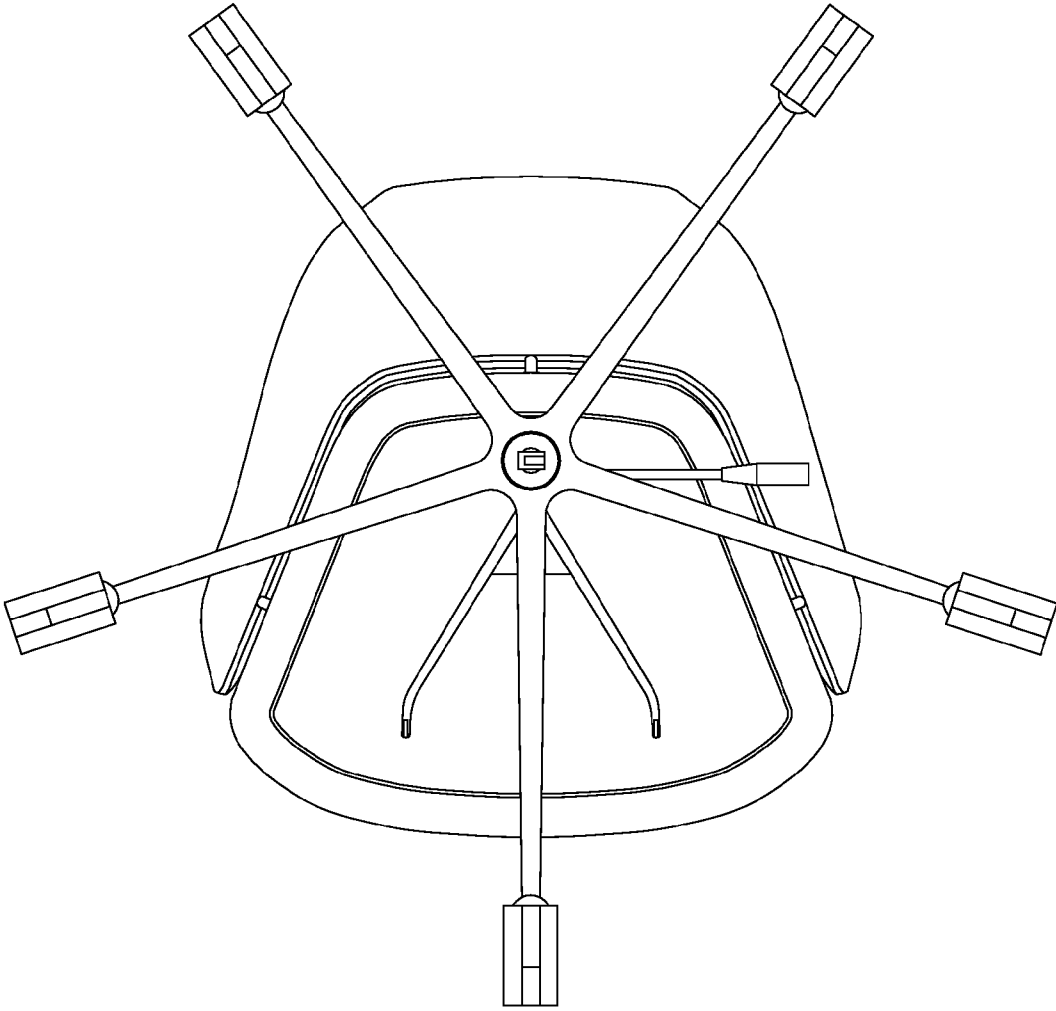


Fig. 6

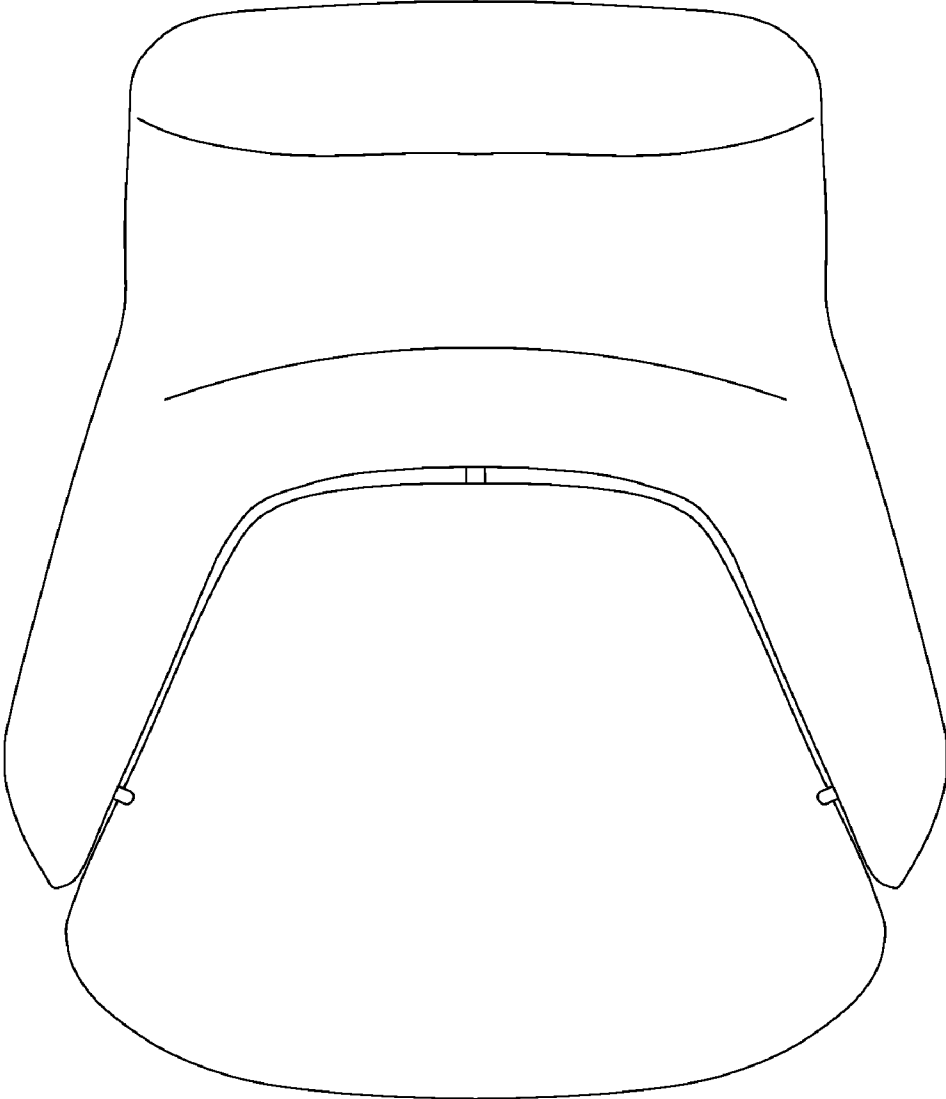


Fig. 7