



US00D713722S

(12) **United States Design Patent**  
**Miller**

(10) **Patent No.:** **US D713,722 S**

(45) **Date of Patent:** **\*\* Sep. 23, 2014**

(54) **DOMED CUP LID FOR HOLDING AN  
INVERTED BOTTLE**

D639,524 S \* 6/2011 Biegel ..... D99/5  
D639,525 S \* 6/2011 Biegel ..... D99/5  
D640,035 S \* 6/2011 Biegel ..... D99/5  
D641,631 S \* 7/2011 Kawahara et al. .... D9/503

(76) Inventor: **Alexander K. Miller**, Dallas, TX (US)

(Continued)

(\*\*) Term: **14 Years**

FOREIGN PATENT DOCUMENTS

(21) Appl. No.: **29/412,510**

ES 101421 13 - X \* 12/1998

(22) Filed: **Feb. 3, 2012**

*Primary Examiner* — Susan Bennett Hattan

(51) **LOC (10) Cl.** ..... **09-07**

*Assistant Examiner* — Leanne Was

(52) **U.S. Cl.**

(74) *Attorney, Agent, or Firm* — Bell Nunnally & Martin  
LLP; Craig J. Cox

USPC ..... **D9/436**

(58) **Field of Classification Search**

USPC ..... D7/392.1, 510, 590, 620; D9/428, 435,  
D9/436, 444, 451, 454; D99/5; 99/322,  
99/323, 323.3; 215/307; 220/709, 780

See application file for complete search history.

(57) **CLAIM**

I claim the ornamental design for a domed cup lid for holding  
an inverted bottle, as shown and described.

(56) **References Cited**

**DESCRIPTION**

U.S. PATENT DOCUMENTS

FIG. 1 is a top perspective view of a domed cup lid for holding  
an inverted bottle;

D243,069 S *	1/1977	Igelman	.....	D9/428
D266,486 S *	10/1982	Lutz	.....	D9/503
4,508,235 A *	4/1985	Steele et al.	.....	215/307
D358,294 S *	5/1995	Letica	.....	D7/392.1
5,913,964 A *	6/1999	Melton	.....	99/322
6,095,033 A *	8/2000	Melton	.....	99/323.3
D440,155 S *	4/2001	Schaefer	.....	D9/451
D442,832 S *	5/2001	Filkins et al.	.....	D7/590
6,269,736 B1 *	8/2001	Melton	.....	99/322
D449,986 S *	11/2001	Schaefer	.....	D9/434
6,314,866 B1 *	11/2001	Melton	.....	99/322
D454,755 S *	3/2002	Jorgensen	.....	D7/510
6,357,619 B1 *	3/2002	Schaefer	.....	220/709
6,374,726 B1 *	4/2002	Melton	.....	99/323
D457,396 S *	5/2002	Janky et al.	.....	D7/510
D461,679 S *	8/2002	Robinson et al.	.....	D7/392.1
D523,333 S *	6/2006	Moretti	.....	D9/444
D614,825 S *	4/2010	Biegel	.....	D99/5
D616,174 S *	5/2010	Biegel	.....	D99/5
D621,124 S *	8/2010	Biegel	.....	D99/5
D627,599 S *	11/2010	Richau et al.	.....	D7/510

FIG. 2 is a bottom perspective view of the domed cup lid for  
holding an inverted bottle shown in FIG. 1;

FIG. 3 is a side view of the domed cup lid for holding an  
inverted bottle shown in FIG. 1;

FIG. 4 is an opposite side view of the domed cup lid for  
holding an inverted bottle shown in FIG. 1;

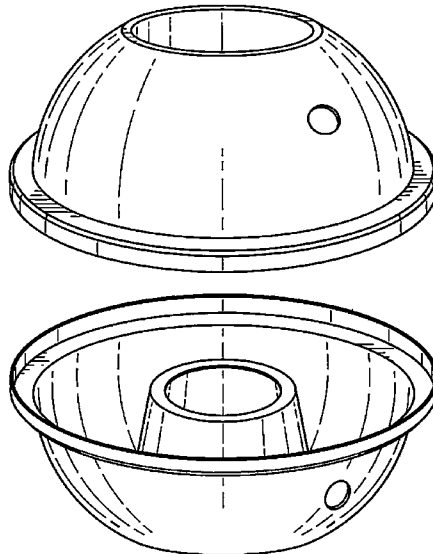
FIG. 5 is a top view of the domed cup lid for holding an  
inverted bottle shown in FIG. 1;

FIG. 6 is a bottom view of the domed cup lid for holding an  
inverted bottle shown in FIG. 1; and,

FIG. 7 is a perspective view of the domed cup lid for holding  
an inverted bottle shown in FIG. 1 shown attached to a cup and  
holding an inverted bottle.

In all figures, elements shown in broken lines are for illustra-  
tive purposes only and form no part of the claimed subject  
matter.

**1 Claim, 4 Drawing Sheets**



(56)

**References Cited**

U.S. PATENT DOCUMENTS

D643,284 S *	8/2011	Zomorodi et al. ....	D9/429	D650,691 S *	12/2011	Miller .....	D9/620
D643,285 S *	8/2011	Zomorodi et al. ....	D9/429	D650,692 S *	12/2011	Miller .....	D9/620
D643,286 S *	8/2011	Zomorodi et al. ....	D9/429	8,070,011 B2 *	12/2011	Fukano .....	220/780

\* cited by examiner

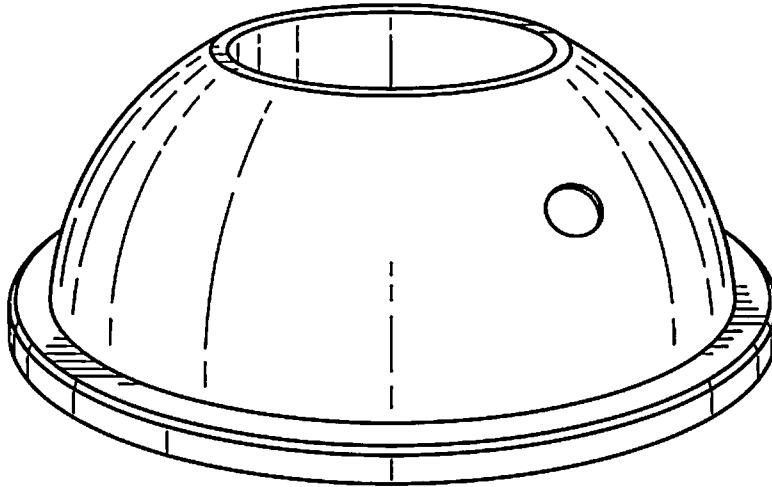


FIG. 1

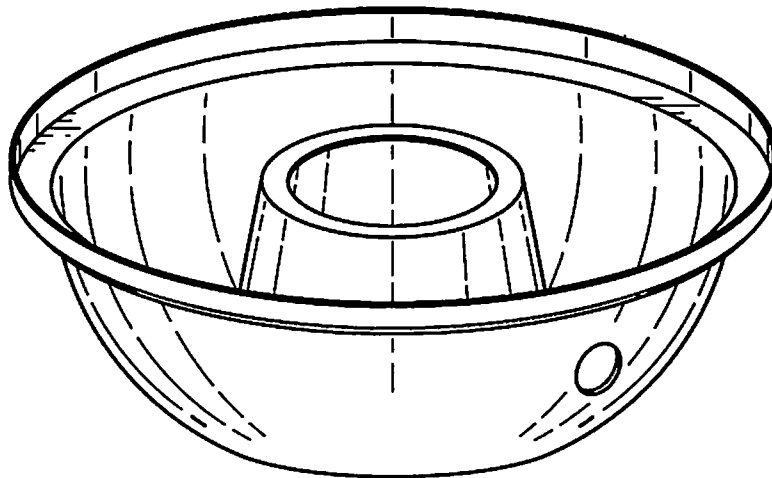
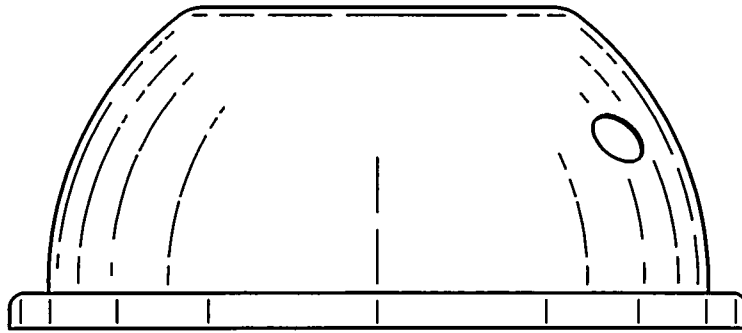


FIG. 2



*FIG. 3*



*FIG. 4*

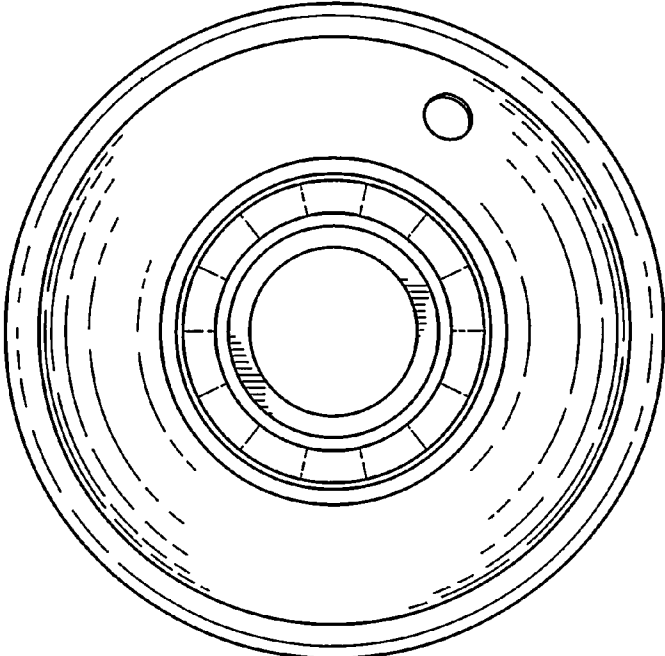


FIG. 5

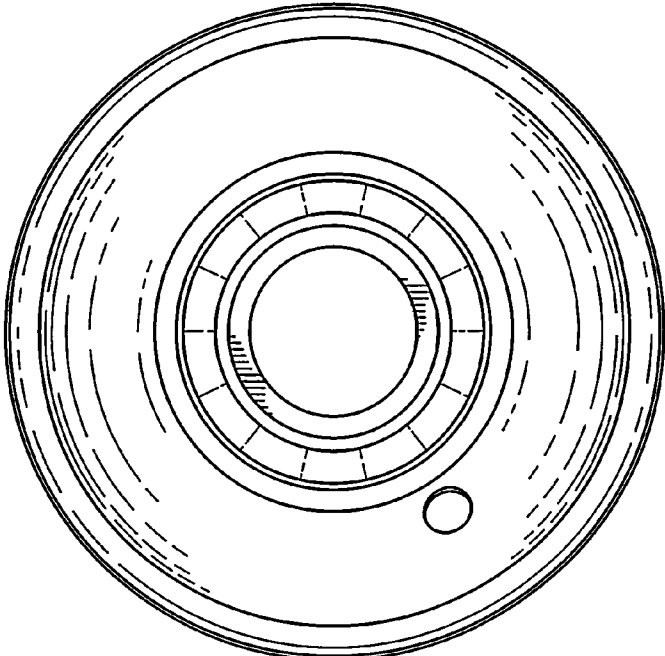


FIG. 6

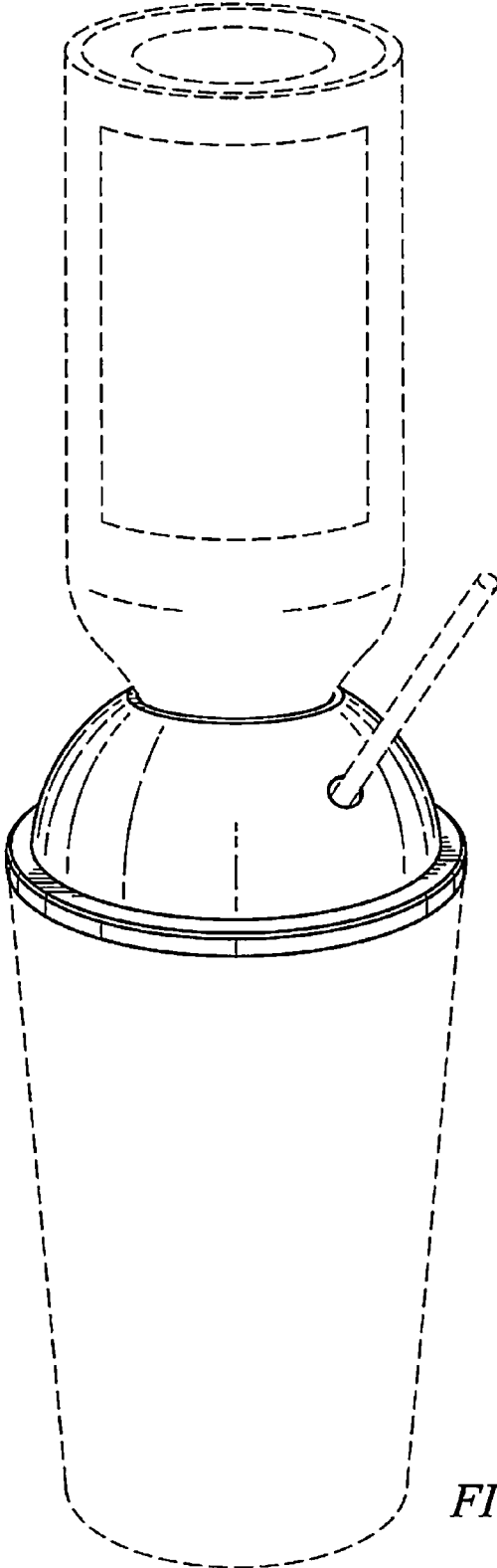


FIG. 7