



US00D708055S

(12) **United States Design Patent**
Elston et al.

(10) **Patent No.:** **US D708,055 S**

(45) **Date of Patent:** **** Jul. 1, 2014**

(54) **DELIVERY BOX**

(71) Applicant: **Interactive Memories, Inc.**, Palo Alto, CA (US)

(72) Inventors: **Caleb Timothy Elston**, San Francisco, CA (US); **Michael Ryan Gowen**, Mountain View, CA (US)

(73) Assignee: **Interactive Memories, Inc.**, Palo Alto, CA (US)

(**) Term: **14 Years**

(21) Appl. No.: **29/487,877**

(22) Filed: **Apr. 14, 2014**

(51) **LOC (10) Cl.** **09-03**

(52) **U.S. Cl.**
USPC **D9/423**

(58) **Field of Classification Search**

CPC B42D 1/08; B42D 3/045; B42F 7/14; B42F 13/40; B65D 5/321; B65D 2313/04; B65D 5/2009; B65D 5/322; B65D 5/422; B65D 5/56; B65D 5/563; B65D 5/566; B65D 5/643; B65D 5/66; B65D 5/6664; B65D 5/6697; B65D 77/0433; B65D 2585/366
USPC D9/418, 420-423, 430-433, 711, 713; 206/472-475, 424, 215; 229/116.1, 229/118, 122.21, 125.08, 125.125, 125.33, 229/125.35, 131, 167; D3/274, 294

See application file for complete search history.

(56) **References Cited**

U.S. PATENT DOCUMENTS

3,638,850 A * 2/1972 Dubey 229/125.08
4,467,920 A * 8/1984 Smith 206/457

(Continued)

OTHER PUBLICATIONS

Picaboo, "Picaboo photobooks," Picaboo website, available at <http://www.picaboo.com/photo-books/classic/> Accessed on Mar. 14, 2014.

(Continued)

Primary Examiner — Thomas Johannes

(74) *Attorney, Agent, or Firm* — American Patent Agency PC; Daniar Hussain; Brian Smith

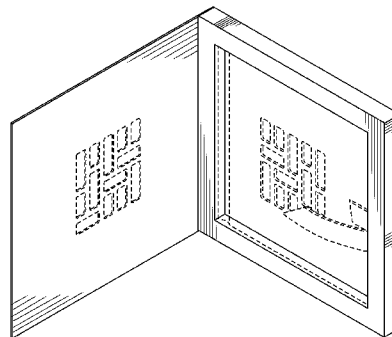
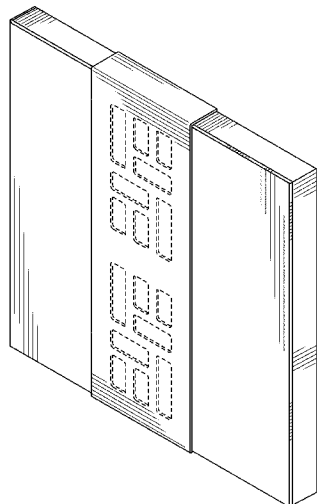
(57) **CLAIM**

The ornamental design for a delivery box, as shown and described.

DESCRIPTION

FIG. 1 is a perspective view of a delivery box showing our new design in a closed position with a ribbon sleeve; FIG. 2 is a front view thereof; FIG. 3 is a right side view thereof without a ribbon sleeve; FIG. 4 is a left side view thereof; FIG. 5 is a top view thereof with a ribbon sleeve; FIG. 6 is a bottom view thereof; FIG. 7 is a back view thereof; FIG. 8 is a perspective view thereof without a ribbon sleeve in an open position with the front cover at a 90° angle; FIG. 9 is a front view thereof; FIG. 10 is a right side view thereof; FIG. 11 is a left side view thereof; FIG. 12 is a top view thereof; FIG. 13 is a bottom view thereof; FIG. 14 is a back view thereof; FIG. 15 is a perspective view thereof showing unclaimed content in phantom; and, FIG. 16 is a perspective view of the delivery box in a closed position with a ribbon sleeve positioned to the right. The broken line portion of the figure drawings is included to show unclaimed subject matter only and forms no part of the claimed design.

1 Claim, 13 Drawing Sheets



(56)

References Cited

OTHER PUBLICATIONS

U.S. PATENT DOCUMENTS

D330,853 S 11/1992 Koytuk
 D339,059 S * 9/1993 Koehler D9/737
 D340,070 S 10/1993 Tan
 D344,096 S 2/1994 Tan
 5,490,739 A 2/1996 Olson
 D385,781 S * 11/1997 Levine et al. D9/737
 D386,677 S * 11/1997 Abiteboul D3/271.5
 D396,004 S * 7/1998 Srinual D3/294
 D415,419 S 10/1999 Abiteboul
 D421,049 S 2/2000 Armenta et al.
 D425,116 S 5/2000 Pflug et al.
 D429,761 S * 8/2000 Ward D19/31
 6,145,882 A 11/2000 Fu
 6,288,719 B1 9/2001 Squilla et al.
 6,308,988 B1 * 10/2001 Mylander et al. 281/42
 D453,766 S 2/2002 Grandcolas et al.
 D463,662 S * 10/2002 Leiden et al. D3/271.5
 6,540,260 B1 4/2003 Tan
 6,547,472 B2 4/2003 Jordan
 D479,531 S 9/2003 Yanagida
 6,659,271 B2 * 12/2003 Parsons 206/232
 D485,172 S 1/2004 Defino
 D486,499 S 2/2004 Hayashi et al.
 6,742,809 B2 6/2004 Frosig et al.
 D507,178 S 7/2005 Biddlecom et al.
 D523,079 S 6/2006 Jackson
 D541,291 S 4/2007 Zhou et al.
 D545,894 S 7/2007 Park
 D553,140 S 10/2007 Noviello et al.
 D573,459 S * 7/2008 Snider et al. D3/294
 D573,636 S 7/2008 Sakaguchi
 D580,263 S * 11/2008 Yi Man D9/432
 D588,453 S 3/2009 Glade
 D600,280 S 9/2009 Weber et al.
 D601,154 S 9/2009 Pelczarski et al.
 D606,394 S * 12/2009 Stewart D9/423
 D652,447 S 1/2012 Knox
 D653,854 S * 2/2012 Chamberlain D3/294
 D664,562 S 7/2012 McCain et al.
 D664,967 S 8/2012 Lee et al.
 D668,665 S 10/2012 Chen et al.
 D668,948 S * 10/2012 LaTrobe D9/423
 D673,864 S 1/2013 Read et al.
 D674,809 S 1/2013 Furue
 D678,894 S 3/2013 Kanalakis et al.
 D680,109 S 4/2013 Akana et al.
 D681,657 S 5/2013 Deng
 D682,279 S * 5/2013 Fuchs D14/440
 D682,854 S 5/2013 Kanalakis et al.
 D687,846 S 8/2013 Jou
 D691,154 S 10/2013 Talbot et al.
 D691,900 S 10/2013 Kraus
 D694,258 S 11/2013 Lee et al.
 D694,763 S 12/2013 Edwards et al.
 D694,770 S 12/2013 Edwards et al.
 D695,751 S 12/2013 Edwards et al.
 D696,266 S 12/2013 d'Amore et al.
 D697,077 S 1/2014 Rodenhouse et al.
 D697,078 S 1/2014 Carlin et al.
 D697,924 S 1/2014 Woo-Seok et al.
 D698,359 S 1/2014 Ray
 D699,731 S 2/2014 Chand et al.
 2003/0230509 A1 * 12/2003 Fitzgerald et al. 206/472
 2006/0016114 A1 1/2006 Vanderberg
 2006/0237961 A1 10/2006 Partain
 2010/0156085 A1 6/2010 Devoy et al.
 2011/0315754 A1 * 12/2011 Gao 229/185.1

Shutterfly, "Shutterfly photo book," Shutterfly website, available at <http://www.shutterfly.com/howto/photobook/cover.jsp> Accessed on Mar. 14, 2014.
 Snapfish, "Snapfish photo book," Snapfish website, available at <http://www5.snapfish.com/photo-gift/photo-books> Accessed on Mar. 14, 2014.
 Lulu, "Lulu photo books," Lulu website, available at <http://www.lulu.com/us/en/publish/photo-books> Accessed on Mar. 14, 2014.
 Artscow, "Artscow photo album," Artscow website, available at <http://www.artscow.com/photo-books> Accessed on Mar. 14, 2014.
 CVS Photocenter, "CVS Photocenter photobook," CVS Photocenter website, available at <http://www.cvsphoto.com/photo-books> Accessed on Mar. 14, 2014.
 Digilabs, "Digilabs photo album," Digilabs website, available at <http://www.digilabspro.com/products/albums.shtml> Accessed on Mar. 14, 2014.
 Blurb, "Blurb photo album," Blurb website, available at <http://www.blurb.com/create-photo-books> Accessed Mar. 14 2014.
 MyCanvas, "MyCanvas photo album," MyCanvas website, available at <http://www.mycanvas.com/Products/Photo-Books.aspx> Accessed on Mar. 14, 2014.
 Keepsy, "Keepsy photo album," Keepsy website, available at <http://www.keepsy.com/book/start> Accessed on Mar. 14, 2014.
 Winkflash, "Winkflash photo album," Winkflash website, available at <http://www.winkflash.com/photo/books/> Accessed on Mar. 14, 2014.
 Yogile, "Yogile photo album," Yogile website, available at <http://www.yogile.com/> Accessed on Mar. 14, 2014.
 Moleskine, "Moleskine Photo albums," website, available at <http://moleskine.milkbooks.com/catalog/photo-albums.aspx> Accessed on Mar. 15, 2014.
 Walgreens, "Walgreens photo," website, available at <http://photo.walgreens.com/walgreens/photobookdetails/product=collagebook> Accessed on Mar. 15, 2014.
 Costco, "Costco photo center," website, available at <http://www.costcophotocenter.com/Shop/Photobooks#/> Accessed on Mar. 15 2014.
 Artifact Uprising "Artifact uprising photo," website, available at <http://www.artifactuprising.com/site/home> Accessed on Mar. 15, 2014.
 Kindred, "Kindred photo booklets," website, available at <http://www.kindredprints.com/> Accessed on Mar. 15, 2014.
 Pinhole Press, "Pinhole press photo album," website available at <https://pinholepress.com/category/photo-books/> Accessed on Mar. 15, 2014.
 Impressed, "Impressed App," website available at <http://www.impressedapp.com/#0> Accessed on Mar. 15, 2014.
 Artkive, "Artkive App," website available at <http://www.artkiveapp.com/> Accessed on Mar. 15, 2014.
 Photos in a Booth, "Photos in a booth album," available at: <http://www.photosinabooth.com.au/photostrip-layout-options/photostrip-50pg-glorious-leather-drymount.aspx> Accessed on Mar. 15, 2014.
 Redtree Albums, "Red tree photo albums," available at <https://www.redtreealbums.com/albums/redtree-photo-album> Accessed on Mar. 15, 2014.
 Enjoybook, "Enjoy book," website available at <http://enjoybook.ru/> Accessed on Apr. 1, 2014.
 Mosaic, "heymosaic," website available at <http://heymosaic.com/> Accessed on Mar. 14, 2014.
 Tyndell, "Tyndell photographic packaging," available at <https://www.tyndellphotographic.com/product/albums/album-box/39-2> Accessed on Mar. 20, 2014.

* cited by examiner

Fig. 1

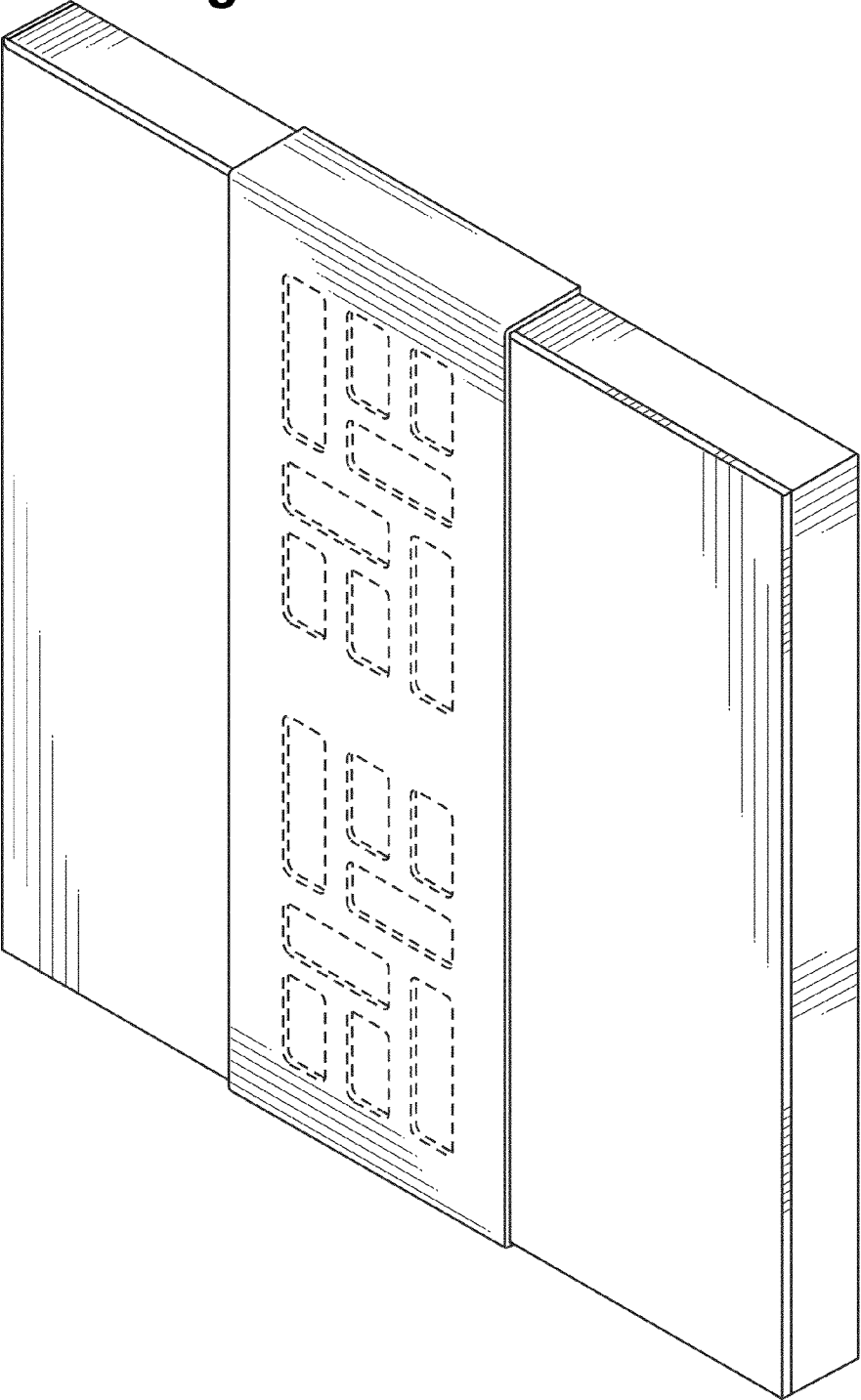


Fig. 2

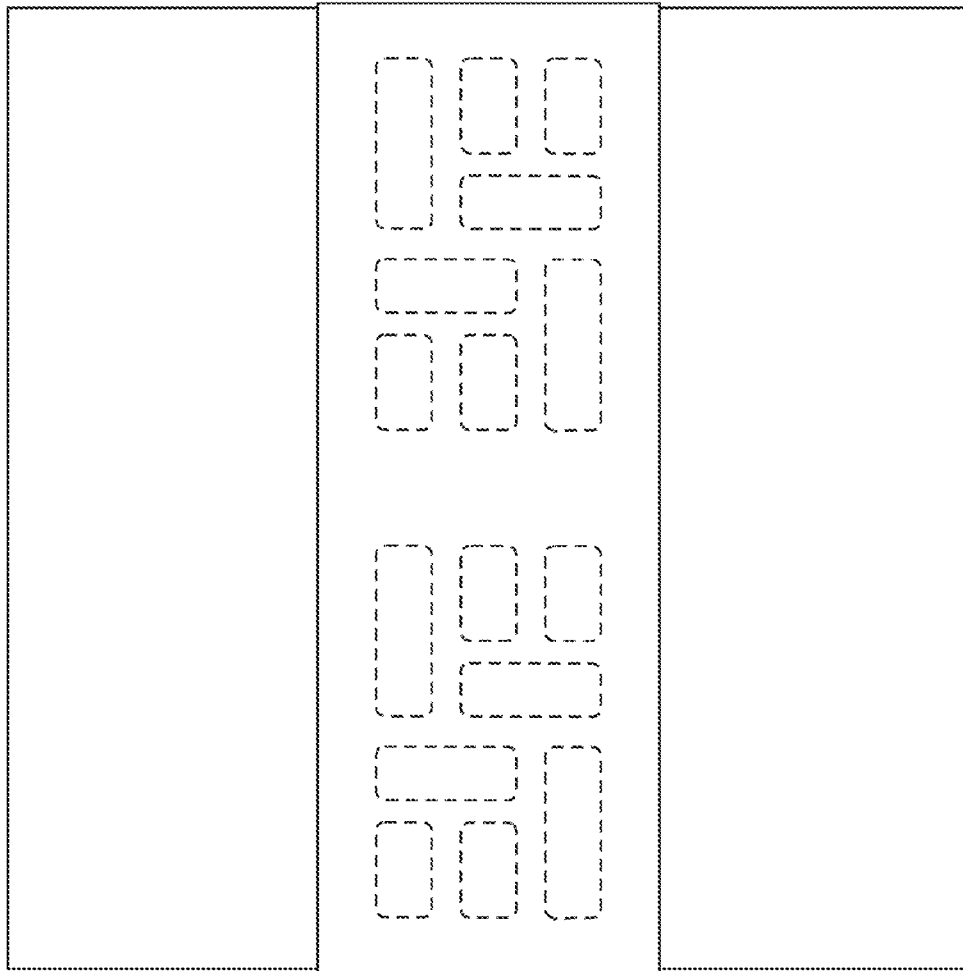


Fig. 3



Fig. 4



Fig. 5



Fig. 6



Fig. 7

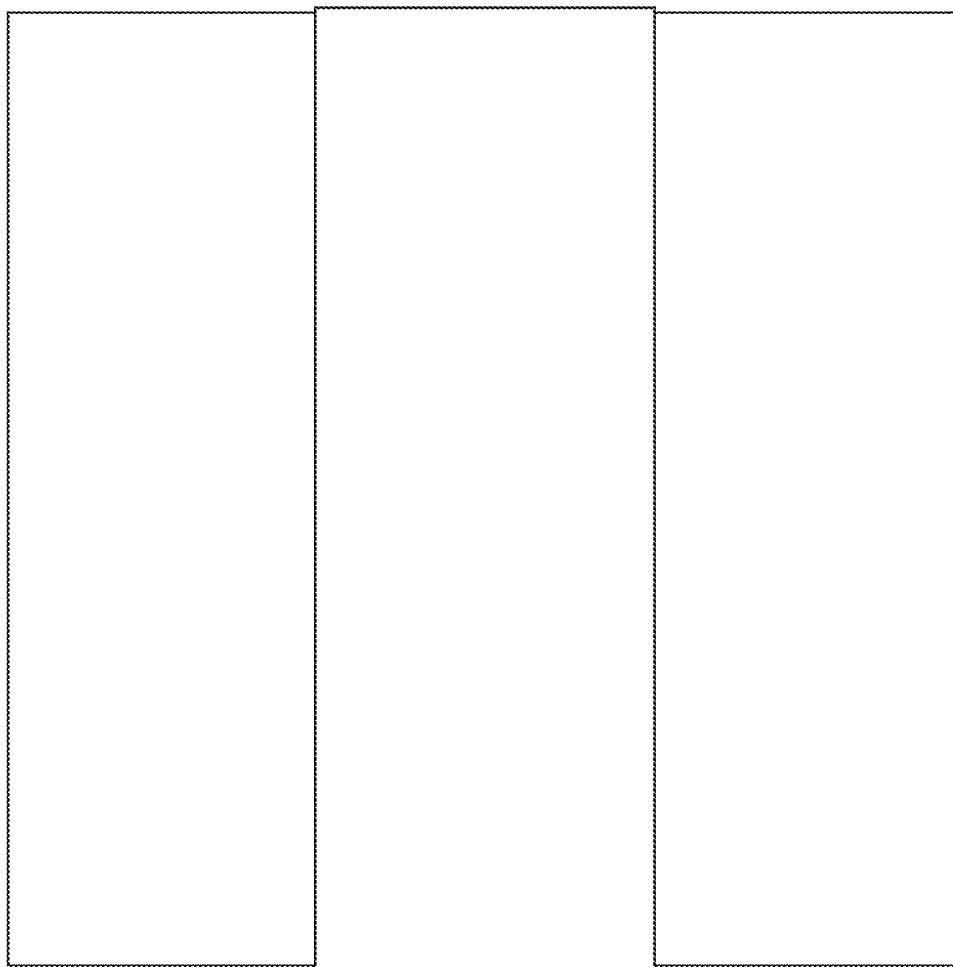


Fig. 8

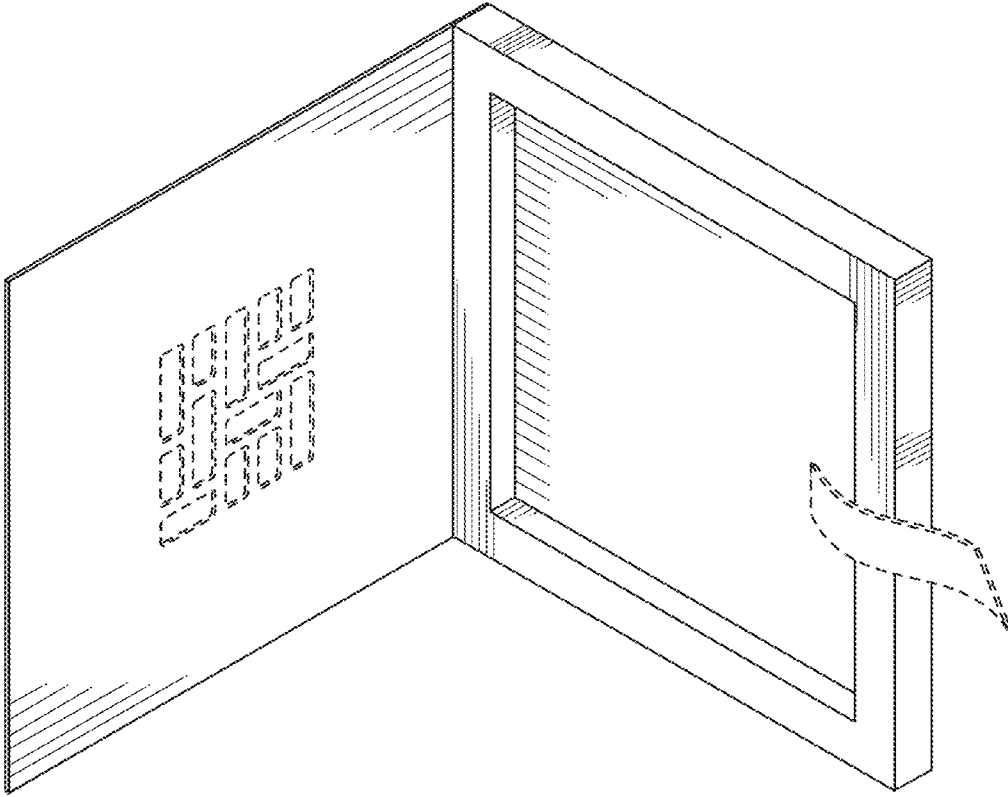


Fig. 9

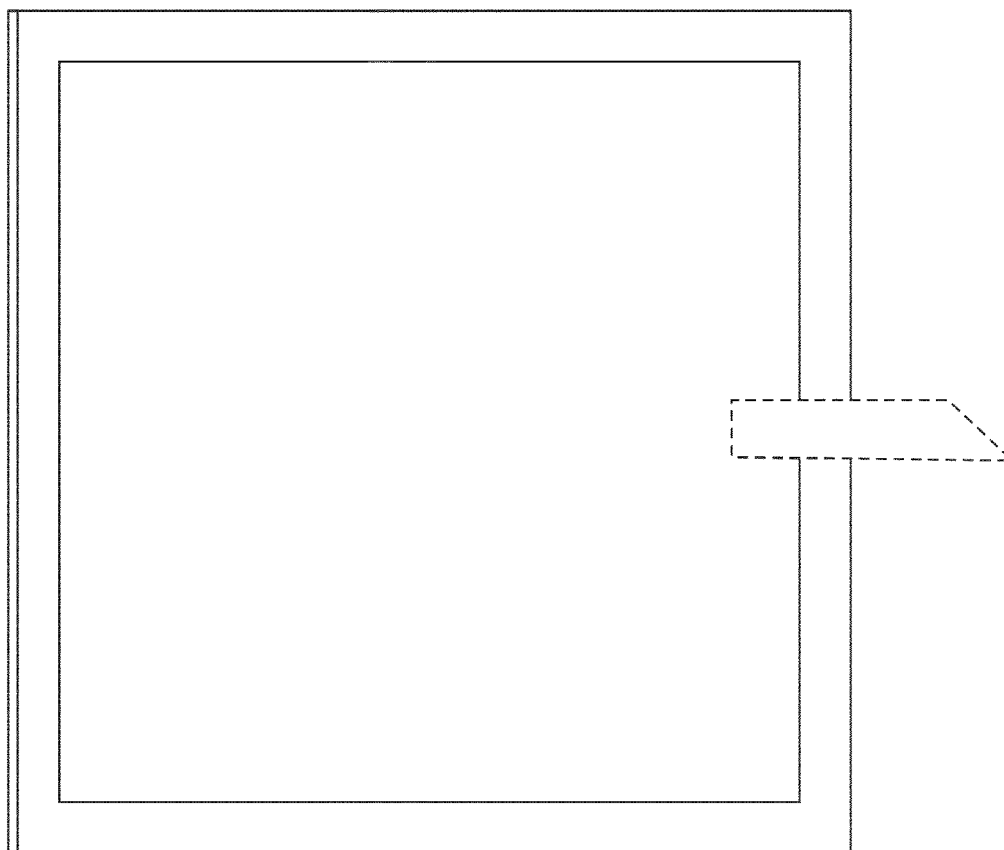


Fig. 10

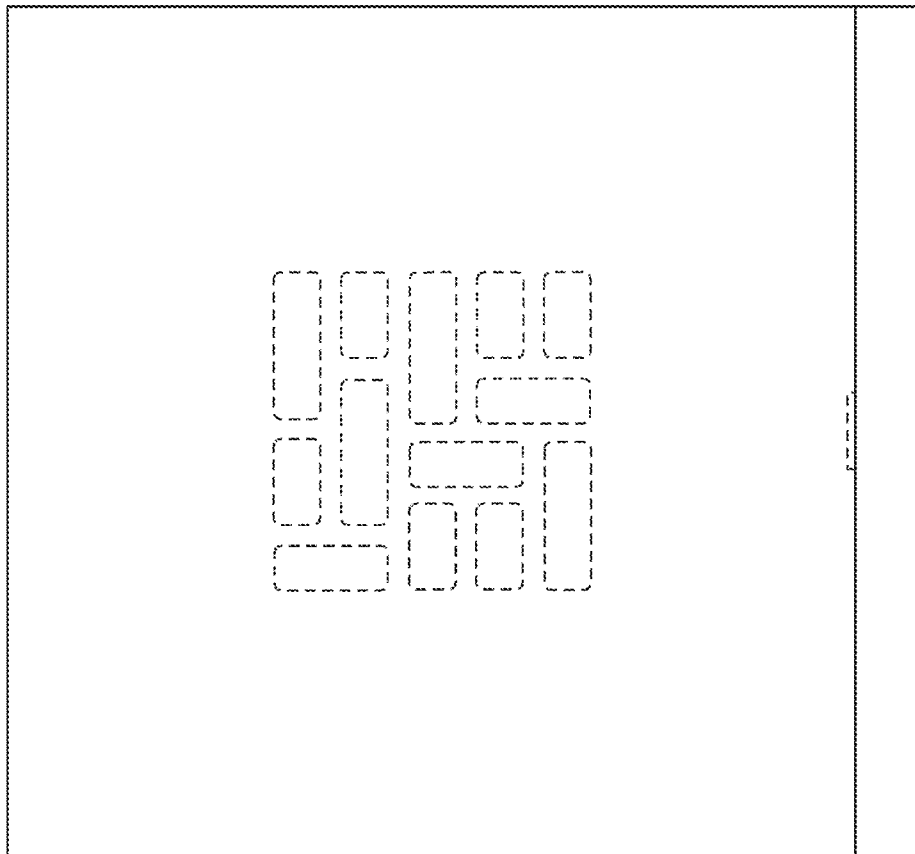


Fig. 11

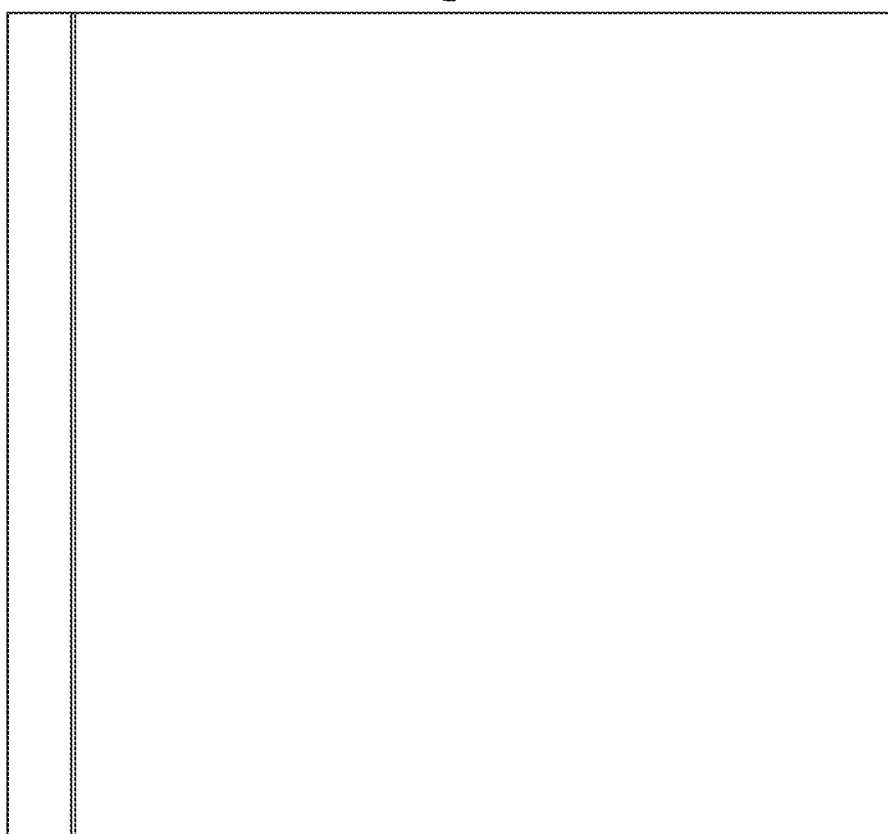


Fig. 12

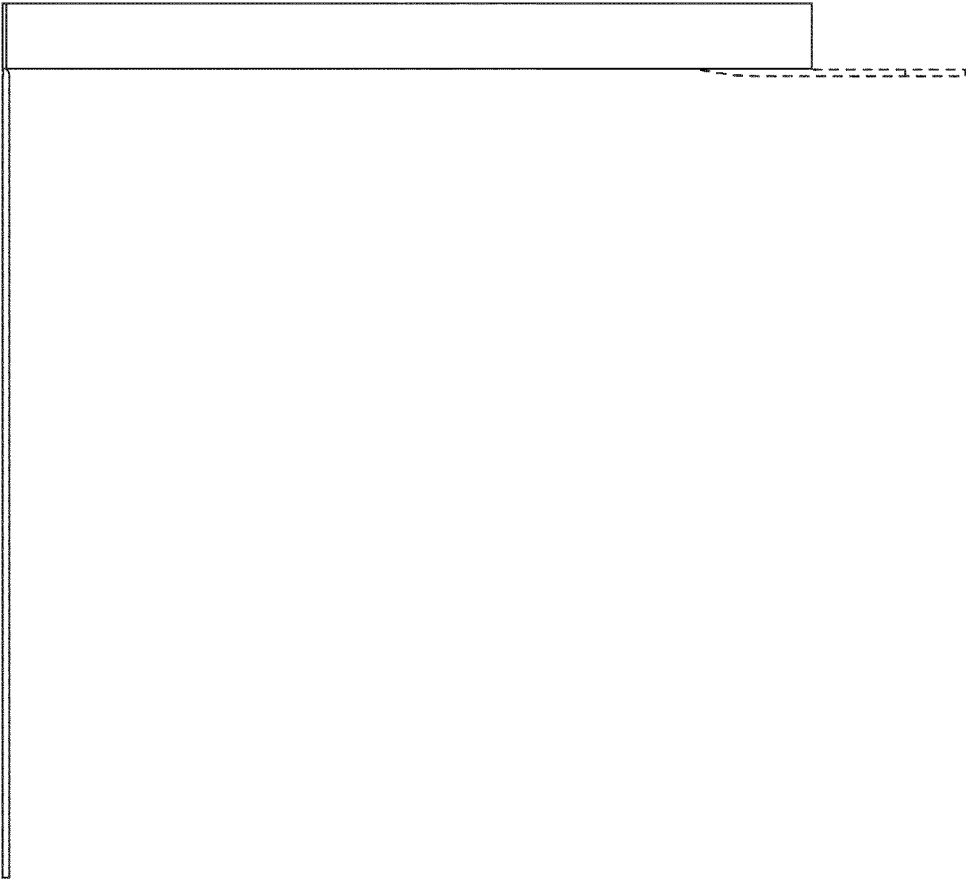


Fig. 13

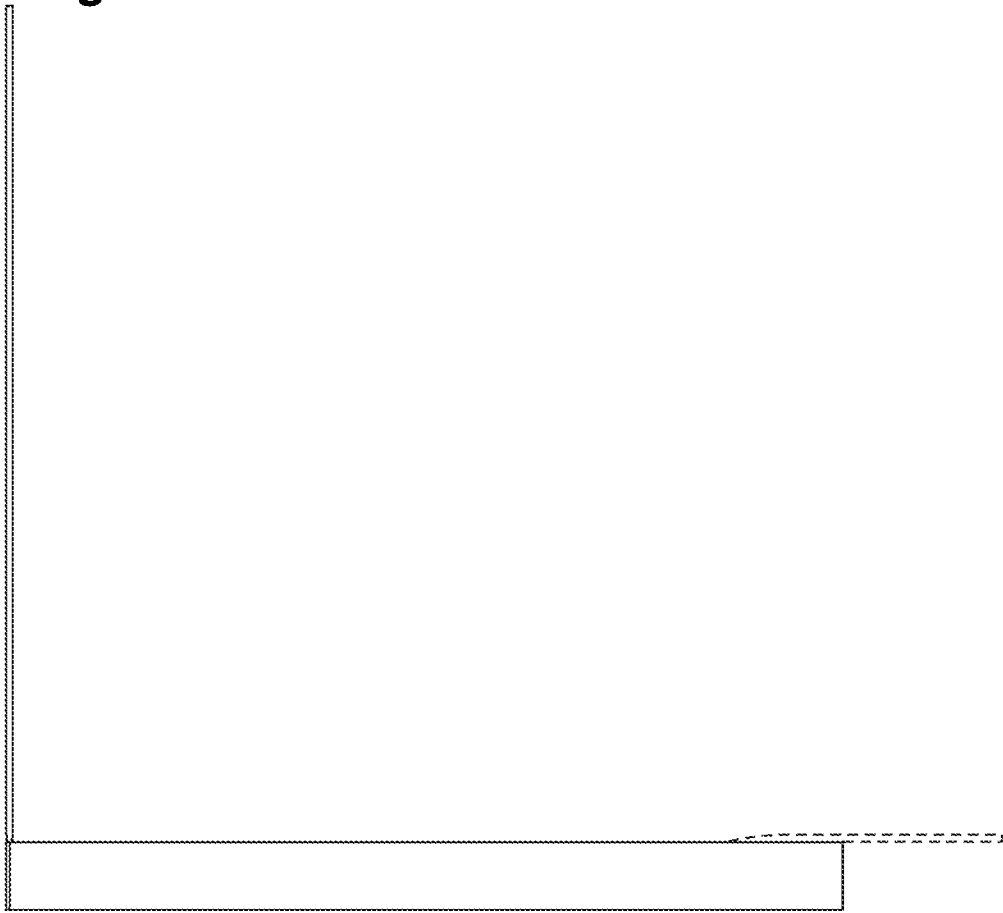


Fig. 14

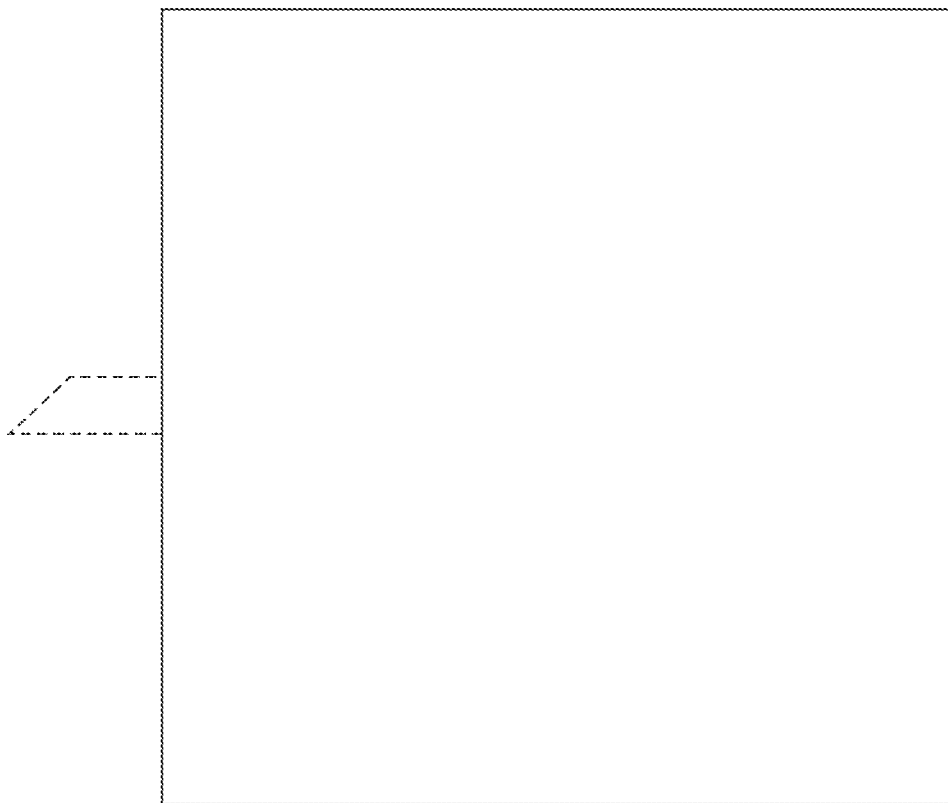


Fig. 15

