

(19) World Intellectual Property Organization  
International Bureau



(43) International Publication Date  
20 September 2001 (20.09.2001)

PCT

(10) International Publication Number  
WO 01/69341 A3

(51) International Patent Classification<sup>7</sup>: G05D 23/19

(21) International Application Number: PCT/DK01/00177

(22) International Filing Date: 15 March 2001 (15.03.2001)

(25) Filing Language: English

(26) Publication Language: English

(30) Priority Data:  
PA 2000 00445 17 March 2000 (17.03.2000) DK

(71) Applicant (for all designated States except US): DE-VI  
A/S [DK/DK]; Ulvehavevej 61, DK-7100 Vejle (DK).

(72) Inventor; and

(75) Inventor/Applicant (for US only): HESSELD AHL,  
Soren [DK/DK]; Nederbyvej 1, DK-7182 Bredsten (DK).

(74) Agent: HOFMAN-BANG ZACCO A/S; Aaboulevarden  
17, DK-8000 Aarhus C (DK).

(81) Designated States (national): AE, AG, AL, AM, AT, AU, AZ, BA, BB, BG, BR, BY, BZ, CA, CH, CN, CO, CR, CU, CZ, DE, DK, DM, DZ, EE, ES, FI, GB, GD, GE, GH, GM, HR, HU, ID, IL, IN, IS, JP, KE, KG, KP, KR, KZ, LC, LK, LR, LS, LT, LU, LV, MA, MD, MG, MK, MN, MW, MX, MZ, NO, NZ, PL, PT, RO, RU, SD, SE, SG, SI, SK, SL, TJ, TM, TR, TT, TZ, UA, UG, US, UZ, VN, YU, ZA, ZW.

(84) Designated States (regional): ARIPO patent (GH, GM, KE, LS, MW, MZ, SD, SL, SZ, TZ, UG, ZW), Eurasian patent (AM, AZ, BY, KG, KZ, MD, RU, TJ, TM), European patent (AT, BE, CH, CY, DE, DK, ES, FI, FR, GB, GR, IE, IT, LU, MC, NL, PT, SE, TR), OAPI patent (BF, BJ, CF, CG, CI, CM, GA, GN, GW, ML, MR, NE, SN, TD, TG).

Published:

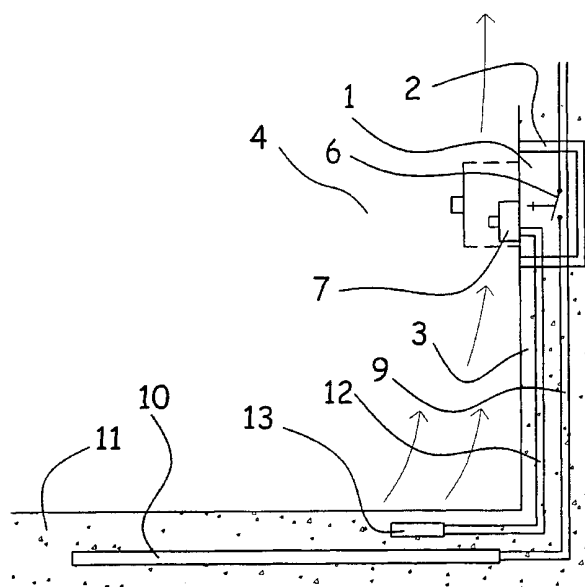
— with international search report

(88) Date of publication of the international search report:

29 November 2001

For two-letter codes and other abbreviations, refer to the "Guidance Notes on Codes and Abbreviations" appearing at the beginning of each regular issue of the PCT Gazette.

(54) Title: A METHOD OF MEASURING AND ADJUSTING ROOM TEMPERATURE



(57) Abstract: The invention relates to a method of measuring and adjusting room temperature by at least one temperature sensor which is present in a wall-mounted adjustment unit, wherein the adjustment unit contains means for adjusting the power dissipation in at least one heating element. The object of the invention is to provide a method of increasing the measurement accuracy of a room sensor which is arranged within the adjustment unit. This may be achieved if the adjustment unit also contains a calculating unit which, on the basis of a plurality of determined parameters and a plurality of measured parameters, uses a time-dependent model for the internal heating of the panel. This can ensure compensation of the error sources which would otherwise cause significant measurement errors each time the adjustment unit changes state.

WO 01/69341 A3

## INTERNATIONAL SEARCH REPORT

International application No.

PCT/DK 01/00177

## A. CLASSIFICATION OF SUBJECT MATTER

IPC7: G05D 23/19

According to International Patent Classification (IPC) or to both national classification and IPC

## B. FIELDS SEARCHED

Minimum documentation searched (classification system followed by classification symbols)

IPC7: G05D

Documentation searched other than minimum documentation to the extent that such documents are included in the fields searched

Electronic data base consulted during the international search (name of data base and, where practicable, search terms used)

## C. DOCUMENTS CONSIDERED TO BE RELEVANT

| Category* | Citation of document, with indication, where appropriate, of the relevant passages  | Relevant to claim No. |
|-----------|---|-----------------------|
| Y         | WO 0008537 A1 (BRAMPTON HOLDINGS LIMITED),<br>17 February 2000 (17.02.00), figures 1-2c, claim 1,<br>abstract<br><br>--                             | 1-14                  |
| Y         | US 4741476 A (JAMES RUSSO ET AL), 3 May 1988<br>(03.05.88), column 1, line 6 - column 10, line 67,<br>figures 1-5, claims 1-2,4, abstract<br><br>-- | 1-14                  |
| Y         | US 5199637 A (JOHN T. ADAMS), 6 April 1993<br>(06.04.93), column 1, line 8 - column 5, line 52,<br>figures 1-4, abstract<br><br>--<br>-----         | 1-14                  |

 Further documents are listed in the continuation of Box C. See patent family annex.

## \* Special categories of cited documents:

"A" document defining the general state of the art which is not considered to be of particular relevance

"E" earlier application or patent but published on or after the international filing date

"L" document which may throw doubts on priority claim(s) or which is cited to establish the publication date of another citation or other special reason (as specified)

"O" document referring to an oral disclosure, use, exhibition or other means

"P" document published prior to the international filing date but later than the priority date claimed

"T" later document published after the international filing date or priority date and not in conflict with the application but cited to understand the principle or theory underlying the invention

"X" document of particular relevance: the claimed invention cannot be considered novel or cannot be considered to involve an inventive step when the document is taken alone

"Y" document of particular relevance: the claimed invention cannot be considered to involve an inventive step when the document is combined with one or more other such documents, such combination being obvious to a person skilled in the art

"&" document member of the same patent family

Date of the actual completion of the international search

Date of mailing of the international search report

16 August 2001

10.09.2001

Name and mailing address of the ISA/  
European Patent Office

Authorized officer

Roland Landström/js

Facsimile No.

Telephone No.

332232

**INTERNATIONAL SEARCH REPORT**  
Information on patent family members

02/07/01

International application No.  
PCT/DK 01/00177

| Patent document cited in search report |         |    | Publication date | Patent family member(s) |           | Publication date |
|--|---------|----|------------------|-------------------------|-----------|------------------|
| WO                                     | 0008537 | A1 | 17/02/00         | AU                      | 5027699 A | 28/02/00         |
|  |         |    |                  | DK                      | 100498 A  | 04/02/00         |
| -----                                  |         |    |                  |                         |           |                  |
| US                                     | 4741476 | A  | 03/05/88         | NONE                    |           |                  |
| -----                                  |         |    |                  |                         |           |                  |
| US                                     | 5199637 | A  | 06/04/93         | AU                      | 660772 B  | 06/07/95         |
|  |         |    |                  | AU                      | 3535693 A | 11/11/93         |
|  |         |    |                  | CA                      | 2092379 A | 06/11/93         |
|  |         |    |                  | NL                      | 194099 B  | 01/02/01         |
|  |         |    |                  | NL                      | 9300750 A | 01/12/93         |
| -----                                  |         |    |                  |                         |           |                  |