

AIRCRAFT WITH ANGLED SEATING CONFIGURATION

CROSS REFERENCE TO RELATED APPLICATIONS

[0001] This application claims the benefit of U.S. Provisional Application Nos. 62/751,870, filed October 29, 2018, 62/751,884, filed October 29, 2018 and 62/751,895, filed October 29, 2018, the entireties of which are incorporated herein by reference.

FIELD OF THE INVENTION

[0002] The present invention relates generally to an aircraft with an angled seating configuration.

BACKGROUND OF THE INVENTION

[0003] With the rise in popularity in ride sharing, small aircraft that can accommodate a small number of passengers for relatively short (e.g., intra-city) trips are contemplated. In such a situation the passengers may not know each other and privacy may be a concern. Accordingly, the present invention provides seats that are angled away from one another.

SUMMARY OF THE PREFERRED EMBODIMENTS

[0004] In accordance with a first aspect of the present invention there is provided an aircraft that includes a body that defines a cabin interior, a divider member that divides the cabin interior into a cargo hold and a passenger cabin, front and back rows of seats positioned in the passenger cabin, a forward door that is pivotable between a closed position and an open position, and an aft door that is pivotable between a closed position and an open position. Pivoting one of the forward door or the aft door from the closed to the open position causes the other of the forward door or the aft door to pivot from the closed position to the open position. In a preferred embodiment, the body includes a side opening, and, in their closed positions, the forward and aft doors are positioned in the side opening. The side opening includes a front row access portion (where a passenger can enter the front row), a back row

access portion (where a passenger can enter the back row) and a cargo hold access portion (where a passenger can reach into the cargo hold to put luggage in or remove luggage).

Preferably, in the closed position, the forward door blocks access to the front row access portion and the aft door blocks access to the back row access portion and the cargo hold access portion. In a preferred embodiment, the forward door pivots in one of a clockwise or a counter-clockwise direction and the aft door pivots in the other of the clockwise or the counter-clockwise direction.

[0005] In a preferred embodiment, the divider member separates the passenger cabin from the cargo hold such that a passenger in the passenger cabin cannot access the cargo hold when the front and aft doors are in the closed positions. Preferably, the cargo hold includes a shelf therein that is pivotable between a stowed and a deployed position. When the shelf is in the deployed position the cargo hold is divided into upper and lower storage sections. In a preferred embodiment, the divider member includes a ledge, and in the deployed position the shelf rests on the ledge.

[0006] In a preferred embodiment, pivoting one of the forward door or the aft door from the open position to the closed position causes the other of the forward door or the aft door to pivot from the open position to the closed position. Preferably, the aircraft is a vertical take-off and landing aircraft and is not a helicopter.

[0007] In accordance with another aspect of the present invention there is provided an aircraft that includes a body that defines a cabin interior and a longitudinal axis, a front row and a back row positioned in the cabin interior. The front row includes a first front seat and a second front seat. The first and second front seats are angled away from one another. The first front seat is angled outwardly such that it forms a first acute angle with the longitudinal axis and the second front seat is angled outwardly such that it forms a second acute angle with the longitudinal axis. The first and second acute angles are approximately

the same. In a preferred embodiment, the back row includes a first back seat and a second back seat. The first and second back seats are angled away from one another. The first back seat is angled outwardly such that it forms a third acute angle with the longitudinal axis, the second back seat is angled outwardly such that it forms a fourth acute angle with the longitudinal axis, and the third and fourth acute angles are the approximately same. In a preferred embodiment, the first, second, third and fourth acute angles are approximately the same. However, they can also be different.

[0008] In a preferred embodiment, the aircraft of claim 1 includes a front bench seat assembly that includes the first front seat and second front seat. Preferably, the front bench seat assembly includes a center portion that separates the first front seat from the second front seat. In a preferred embodiment, the center portion includes a front edge and a rear edge, and the front edge has a greater dimension than the rear edge. The center portion is generally triangular or generally trapezoidal in shape.

[0009] In a preferred embodiment, the aircraft includes a cockpit positioned forward of the front row and a first foot space is defined on a first side of the cockpit and a second foot space is defined on a second side of the cockpit.

[0010] In accordance with another aspect of the present invention there is provided a bench seat assembly that includes a first seat that includes a seat portion and a back, a second seat that includes a seat portion and a back, and a center portion positioned between the first and second seats. The first seat is bifurcated by a first vertical plane, the second seat is bifurcated by a second vertical plane, and the center portion is bifurcated by a center vertical plane. The first seat is angled outwardly such that the first plane defines a first acute angle with the center plane, the second seat is angled outwardly such that the second plane defines a second acute angle with the center plane, and the first acute angle and the second acute angle are approximately the same. In a preferred embodiment, the center

portion includes a front edge and a rear edge and the front edge has a greater dimension than the rear edge.

[0011] In a preferred embodiment, the center portion includes a drawer that is movable between an open and a closed position. The drawer includes a front edge and a rear edge and the front edge has a greater dimension than the rear edge. In a preferred embodiment, the center portion includes a cover that is movable between an open and a closed position. The cover includes a front edge and a rear edge and the front edge has a greater dimension than the rear edge. An embodiment is contemplated where the center portion includes both a cover and a drawer. In a preferred embodiment, the center portion includes a cushion thereon that includes a front edge and a rear edge. The front edge has a greater dimension than the rear edge. Preferably, the center portion is generally triangular or generally trapezoidal in shape. In a preferred embodiment, the center portion includes a baby seat thereon.

[0012] In a preferred embodiment, the present invention provides simultaneous access to a vehicle's passenger cabin and the cargo hold when the doors are open and simultaneously closes the passenger cabin and cargo hold. It therefore enables passengers to themselves access the vehicle's cargo hold during boarding and deboarding, but not during flight or travel.

[0013] In a preferred embodiment, the present invention is used in a vertical take-off and landing (VTOL) aircraft. However, this is not a limitation and the concepts disclosed herein can be used in other vehicles and aircraft. In a preferred embodiment, the VTOL is not a helicopter. In a preferred embodiment, the VTOL is an electric VTOL (referred to as an eVTOL). However, the VTOL can also be powered by gasoline or other fuel. Furthermore, the aircraft can be manned (with a pilot) or unmanned (autonomous). In a preferred embodiment, the VTOL's passenger cabin (passenger zone) and cargo hold

(cargo zone) are configured to enable the capability of one door/hatch to close both zones or allow access to both zones. Preferably, the passenger cabin is entirely accessible with two doors on one side of the vehicle. The forward door swings outwardly (e.g., clockwise) to allow ingress/egress to the forward passenger seat row (e.g., in a vehicle with two rows). The rear door swings outwardly (e.g., counterclockwise) pivoted from the aft vertical edge of the opening in the side of the vehicle, thereby exposing the rear passenger seat row and the cargo hold. The cargo zone holds the passenger's luggage and is preferably separated from the passenger cabin by a partition or divider member. In a preferred embodiment, no access between zones (cargo and passenger) is allowed during flight.

[0014] In a preferred embodiment, the present invention enables simple passenger ingress/egress with smooth lateral sliding between two lateral seating positions, seating for two, oriented towards the outboard or outside of the vehicle, which allows the passengers to face away from one another on a single bench and provides a sense of privacy.

[0015] In a preferred embodiment, the present invention provides a single seating apparatus or bench with the capability to seat one or two passengers. Multiple benches can be provided in a single passenger cabin. The bench contains two seating positions that are symmetrically angled away from the centerline of the vehicle. The angle preferably prevents the two adjacent passengers from being in each other's line of sight. The angled seating also aligns the passengers toward the outboard of the vehicle, which facilitate a window. Preferably, safety harnesses or seatbelts are provided for both passengers on the bench.

[0016] In a preferred embodiment, the spaces beside or either side of the pilot is used for passenger space (e.g., foot space). Enhanced outdoor views for passengers and connected services, such as phone charging (e.g., inductive phone charging).

[0017] Angled seating to compress the seats together while maintaining comfort levels for a short flight. The layout locates a "row" that contains two seat positions that are symmetrically angled away from the centerline of the vehicle. The angle also allows the front row passengers to use the space on the sides of the pilot or, in the case of an autonomous vehicle, the space on either side of one of the vehicle's components (e.g., engine). The two angled seats creates a zone or center portion that is generally triangular or trapezoidal in shape. Generally triangular or trapezoidal means that when viewed from above (in plan) the center portion generally look like a triangle or trapezoid. Some seats have a slight curve on their outer edge. Also, the front and rear edges of the center portion may have a slight curve or may not be completely straight. Furthermore, the corners may be rounded. Therefore, if the seat or front or rear edges of the center portion have a slight curve or the corners are curved or rounded, this does not take them out of the definition of generally triangular or trapezoidal. This zone can be used for multiple purposes or variations. For example, the zone can be used for auxiliary features, such as ancillary services, as auxiliary storage, a rear facing infant seat or third passenger (in row) seating. The ancillary service variant enables a platform where passengers, VTOLs and third party vendors can connect and supply desired services. For example, the passenger can use a device with the appropriate software to order an item, e.g., food or drinks prior to flight. The third party vendor (or VTOL) can then prepare and fulfill the customer's order. For example, this can be done by the VTOL and third party vendor connecting via a vertiport rendezvous where the order is inserted into the ancillary service unit in the triangular zone (or other location) designated to the passenger that ordered the service. When the passenger arrives to the VTOL the order can be verified and accepted.

BRIEF DESCRIPTION OF THE DRAWINGS

- [0018] The invention may be more readily understood by referring to the accompanying drawings in which:
- [0019] FIG. 1 is a plan view of a VTOL aircraft with forward and aft doors in accordance with a preferred embodiment of the present invention;
- [0020] FIG. 2 is a plan view of the aircraft of FIG. 1 with the forward and aft doors in the open position;
- [0021] FIG. 3 is a plan view of the aircraft of FIG. 1 with the forward and aft doors in the open position and showing the passenger area and cargo hold;
- [0022] FIG. 4 is a perspective view of the aircraft with the forward and aft doors open;
- [0023] FIG. 5 is side elevational view of the rear seat row and the cargo hold;
- [0024] FIG. 6 is a top plan view of a VTOL aircraft with angled seating;
- [0025] FIG. 7 is a top plan view of the aircraft of FIG. 6 with passengers therein and showing the passengers' lines of site;
- [0026] FIG. 8 is a top plan view of the aircraft of FIG. 6 that includes a pilot space;
- [0027] FIG. 9 is a perspective view of a bench contains two seating positions that are symmetrically angled away from one another;
- [0028] FIG. 10 is a perspective view of the bench including a storage drawer;
- [0029] FIG. 11 is a perspective view of the bench including an openable top for storage;
- [0030] FIG. 12 is a perspective view of the bench including a child seat; and
- [0031] FIG. 13 is a perspective view of the bench including a center seat.
- [0032] Like numerals refer to like parts throughout the several views of the drawings.

DETAILED DESCRIPTION OF THE PREFERRED EMBODIMENTS

[0033] The following description and drawings are illustrative and are not to be construed as limiting. Numerous specific details are described to provide a thorough understanding of the disclosure. However, in certain instances, well-known or conventional details are not described in order to avoid obscuring the description. References to one or an embodiment in the present disclosure can be, but not necessarily are references to the same embodiment; and, such references mean at least one of the embodiments.

[0034] Reference in this specification to "one embodiment" or "an embodiment" means that a particular feature, structure, or characteristic described in connection with the embodiment is included in at least one embodiment of the disclosure. The appearances of the phrase "in one embodiment" in various places in the specification are not necessarily all referring to the same embodiment, nor are separate or alternative embodiments mutually exclusive of other embodiments. Moreover, various features are described which may be exhibited by some embodiments and not by others. Similarly, various requirements are described which may be requirements for some embodiments but not other embodiments.

[0035] The terms used in this specification generally have their ordinary meanings in the art, within the context of the disclosure, and in the specific context where each term is used. Certain terms that are used to describe the disclosure are discussed below, or elsewhere in the specification, to provide additional guidance to the practitioner regarding the description of the disclosure. For convenience, certain terms may be highlighted, for example using italics and/or quotation marks: The use of highlighting has no influence on the scope and meaning of a term; the scope and meaning of a term is the same, in the same context, whether or not it is highlighted.

[0036] It will be appreciated that the same thing can be said in more than one way. Consequently, alternative language and synonyms may be used for any one or more of the terms discussed herein. No special significance is to be placed upon whether or not a term is elaborated or discussed herein. Synonyms for certain terms are provided. A recital of one or more synonyms does not exclude the use of other synonyms. The use of examples anywhere in this specification including examples of any terms discussed herein is illustrative only, and is not intended to further limit the scope and meaning of the disclosure or of any exemplified term. Likewise, the disclosure is not limited to various embodiments given in this specification.

[0037] Without intent to further limit the scope of the disclosure, examples of instruments, apparatus, methods and their related results according to the embodiments of the present disclosure are given below. Note that titles or subtitles may be used in the examples for convenience of a reader, which in no way should limit the scope of the disclosure. Unless otherwise defined, all technical and scientific terms used herein have the same meaning as commonly understood by one of ordinary skill in the art to which this disclosure pertains. In the case of conflict, the present document, including definitions, will control.

[0038] It will be appreciated that terms such as "front," "back," "top," "bottom," "side," "short," "long," "up," "down," "aft," "forward," "inboard," "outboard" and "below" used herein are merely for ease of description and refer to the orientation of the components as shown in the figures. It should be understood that any orientation of the components described herein is within the scope of the present invention.

[0039] Referring now to the drawings, wherein the showings are for purposes of illustrating the present invention and not for purposes of limiting the same, FIGS. 1-13 show a VTOL aircraft 10 and components therefor that include a number of inventive features.

[0040] FIGS. 1-5 include forward and aft doors 12 and 14 that open simultaneously and are positioned in a side opening 11 of the aircraft body 13. In a preferred embodiment, the forward and aft doors 12 and 14 are operatively connected such that opening the forward door 12 or moving the forward door 12 from the closed to the open position causes the aft door 14 to also move from the closed to the open position. Furthermore, opening the aft door 14 or moving the aft door 14 from the closed to the open position causes the forward door 12 to also move from the closed to the open position. The simultaneous opening and closing can be accomplished by mechanical mechanisms, electric mechanisms or a combination of both.

[0041] The dashed lines in FIGS. 2 and 3 show the closing path of the doors. As shown, the forward door 12 provides access to the front row of seats 16 and the aft door 14 provides access to the back row of seats 18 and the cargo hold 20. The cargo hold 20 is separated from the passenger cabin 22 by a divider member 24, which prevents passengers seated in the back row 18 from reaching back into the cargo hold 20.

[0042] As shown in FIGS. 4 and 5, in a preferred embodiment, the cargo hold 20 includes a pivotable shelf 26 that is movable between a stowed position (see FIG. 4) and a deployed position (see FIG. 5). Preferably, the shelf 26 is pivotably connected to the back wall 28 of the cargo hold 20 and pivots downwardly such that it rests on a ledge 30 on the divider member 24. The shelf 26 divides the cargo hold 20 into upper and lower storage sections. In another embodiment, more than one shelf can be included. Any seating arrangement is within the scope of the present invention. As shown in FIGS. 2-3, the aircraft 10 can include forward facing seats that are separate within each row, or, as shown in FIG. 4-13, the aircraft 10 can include bench seats that are angled outwardly.

[0043] FIGS. 6-8 show plan views of a seating arrangement that includes the front and back rows 16 and 18 with angled seats 32. The angle preferably prevents the two adjacent

passengers from being in each other's line of sight. The angled seating also aligns the passengers toward the outboard of the aircraft 10. FIG. 6 shows an angle θ between the seat 32 (or a vertical plane P1 that bifurcates the seat) and the longitudinal axis A1 of the aircraft 10 (or a vertical plane that bifurcates the bench seat assembly and/or the center portion). Preferably, the angle is symmetrical for the seats 32 on both sides of the aircraft 10. Also, preferably, the seats in both rows include approximately the same outward angle. The angle θ can be any angle between 1° and 89° , but is preferably less than 45° . The embodiment shown in the drawings includes an angle of 10° off the center line for both seats. FIG. 7 shows passengers seated in some of the seats and gives an example of their sight lines. Approximately the same means that the angles are within at least a few degrees of one another.

[0044] FIG. 8 shows a cockpit 34 that includes a seat for a pilot. In a preferred embodiment, the cabin 22 includes foot space 36 on opposite sides of the pilot where the front row passengers can place their feet. FIGS. 6-7 also show the foot space 36 on opposite sides of a forward area of the aircraft. As used herein, the term cockpit does not necessarily mean that room or seating is provided for a pilot. Accordingly, the space in FIGS. 6-7 (a pilotless embodiment) is still referred to as cockpit 34. Foot space for the passengers in the back row can be provided on either side of the front row seats.

[0045] FIGS. 9-13 show various configurations of bench seat assemblies 40 that include at least two seats 32 with a seat portion 42 and a back 44. The seats 32 are angled outwardly. In a preferred embodiment, the bench seat assembly 40 includes a center portion 46 that can include different components therein. FIGS. 9-11 show the center portion 46 with storage capabilities. FIG. 10 shows the center portion 46 with a drawer 48 that opens forwardly. FIG. 11 shows the center portion 46 with a cover 50 that opens upwardly to provide access to storage therein. As is shown in FIGS. 10-11, the center portion 46,

drawer 48 and cover 50 are shaped such that they fit into the center portion 46. Therefore, they each have a front edge or surface 52 that has a wider or longer dimension than a rear edge or surface 54.

[0046] FIG. 12 shows a bench seat assembly 40 with a baby seat 56 in the center portion 46. The baby seat can be stowable within the center portion 46 and can deploy into the position shown in FIG. 12. In another embodiment, the center portion 46 can include the requisite attachments so that a commercially available baby seat can be connected to the center portion 46. FIG. 13 includes another seat 32 or cushion in the center portion 46. This can provide seating for a third person in the row or can provide overlap for a larger person seated in either of the seats. It will be appreciated that any of the bench seating assemblies discussed herein can be included in any of the aircraft embodiments discussed herein.

[0047] Unless the context clearly requires otherwise, throughout the description and the claims, the words "comprise," "comprising," and the like are to be construed in an inclusive sense, as opposed to an exclusive or exhaustive sense; that is to say, in the sense of "including, but not limited to." As used herein, the terms "connected," "coupled," or any variant thereof, means any connection or coupling, either direct or indirect, between two or more elements; the coupling of connection between the elements can be physical, logical, or a combination thereof. Additionally, the words "herein," "above," "below," and words of similar import, when used in this application, shall refer to this application as a whole and not to any particular portions of this application. Where the context permits, words in the above Detailed Description of the Preferred Embodiments using the singular or plural number may also include the plural or singular number respectively. The word "or" in reference to a list of two or more items, covers all of the following interpretations of the word: any of the items in the list, all of the items in the list, and any combination of the items in the list.

[0048] The above-detailed description of embodiments of the disclosure is not intended to be exhaustive or to limit the teachings to the precise form disclosed above. While specific embodiments of and examples for the disclosure are described above for illustrative purposes, various equivalent modifications are possible within the scope of the disclosure, as those skilled in the relevant art will recognize. Further, any specific numbers noted herein are only examples: alternative implementations may employ differing values, measurements or ranges.

[0049] The teachings of the disclosure provided herein can be applied to other systems, not necessarily the system described above. The elements and acts of the various embodiments described above can be combined to provide further embodiments. Any measurements described or used herein are merely exemplary and not a limitation on the present invention. Other measurements can be used. Further, any specific materials noted herein are only examples: alternative implementations may employ differing materials.

[0050] Any patents and applications and other references noted above, including any that may be listed in accompanying filing papers, are incorporated herein by reference in their entirety. Aspects of the disclosure can be modified, if necessary, to employ the systems, functions, and concepts of the various references described above to provide yet further embodiments of the disclosure.

[0051] These and other changes can be made to the disclosure in light of the above Detailed Description of the Preferred Embodiments. While the above description describes certain embodiments of the disclosure, and describes the best mode contemplated, no matter how detailed the above appears in text, the teachings can be practiced in many ways. Details of the system may vary considerably in its implementation details, while still being encompassed by the subject matter disclosed herein. As noted above, particular terminology used when describing certain features or aspects of the disclosure should not

be taken to imply that the terminology is being redefined herein to be restricted to any specific characteristics, features or aspects of the disclosure with which that terminology is associated. In general, the terms used in the following claims should not be construed to limit the disclosures to the specific embodiments disclosed in the specification unless the above Detailed Description of the Preferred Embodiments section explicitly defines such terms. Accordingly, the actual scope of the disclosure encompasses not only the disclosed embodiments, but also all equivalent ways of practicing or implementing the disclosure under the claims.

[0052] Accordingly, although exemplary embodiments of the invention have been shown and described, it is to be understood that all the terms used herein are descriptive rather than limiting, and that many changes, modifications, and substitutions may be made by one having ordinary skill in the art without departing from the spirit and scope of the invention.

CLAIMS

What is claimed is:

1. An aircraft comprising:

a body that defines a cabin interior and a longitudinal axis, and

a front row positioned in the cabin interior, wherein the front row includes a first front seat and a second front seat, wherein the first and second front seats are angled away from one another, wherein the first front seat is angled outwardly such that it forms a first acute angle with the longitudinal axis, wherein the second front seat is angled outwardly such that it forms a second acute angle with the longitudinal axis, and wherein the first and second acute angles are approximately the same.

2. The aircraft of claim 1 further comprising a back row positioned in the cabin interior aft of the front row, wherein the back row includes a first back seat and a second back seat, wherein the first and second back seats are angled away from one another, wherein the first back seat is angled outwardly such that it forms a third acute angle with the longitudinal axis, wherein the second back seat is angled outwardly such that it forms a fourth acute angle with the longitudinal axis, and wherein the third and fourth acute angles are the approximately same.

3. The aircraft of claim 2 wherein the first, second, third and fourth acute angles are approximately the same.

4. The aircraft of claim 1 further comprising a front bench seat assembly that includes the first front seat and second front seat.

5. The aircraft of claim 4 wherein the front bench seat assembly includes a center portion that separates the first front seat from the second front seat.

6. The aircraft of claim 5 wherein the center portion includes a front edge and a rear edge, and wherein the front edge has a greater dimension than the rear edge.

7. The aircraft of claim 6 wherein the center portion is generally triangular or generally trapezoidal in shape.

8. The aircraft of claim 1 further comprising a cockpit positioned forward of the front row, wherein a first foot space is defined on a first side of the cockpit, and wherein a second foot space is defined on a second side of the cockpit.

9. The aircraft of claim 2 further comprising:

a front bench seat assembly that includes the first front seat and second front seat, wherein the front bench seat assembly includes a center portion that separates the first front seat from the second front seat, wherein the center portion includes a front edge and a rear edge, and wherein the front edge has a greater dimension than the rear edge, and

a back bench seat assembly positioned aft of the front bench seat assembly, wherein the back bench seat assembly includes the first back seat and second back seat, wherein the back bench seat assembly includes a center portion that separates the first back seat from the second back seat, wherein the center portion includes a front edge and a rear edge, and wherein the front edge has a greater dimension than the rear edge.

10. The aircraft of claim 9 further comprising:

a divider member that divides the cabin interior into a cargo hold and a passenger cabin,

a forward door that is pivotable between a closed position and an open position,
and

an aft door that is pivotable between a closed position and an open position,
wherein pivoting one of the forward door or the aft door from the closed to the open
position causes the other of the forward door or the aft door to pivot from the closed
position to the open position.

11. The aircraft of claim 10 wherein the body includes a side opening, wherein in
their closed positions, the forward and aft doors are positioned in the side opening, wherein
the side opening includes a front row access portion, a back row access portion and a cargo
hold access portion, wherein in the closed position, the forward door blocks access to the
front row access portion, wherein in the closed position, the aft door blocks access to the
back row access portion and the cargo hold access portion.

12. The aircraft of claim 6 wherein the center portion includes a drawer that is
movable between an open and a closed position, wherein the drawer includes a front edge
and a rear edge, and wherein the front edge has a greater dimension than the rear edge.

13. The aircraft of claim 6 wherein the center portion includes a cover that is
movable between an open and a closed position, wherein the cover includes a front edge
and a rear edge, and wherein the front edge has a greater dimension than the rear edge.

14. The aircraft of claim of claim 6 wherein the center portion includes a cushion
thereon, wherein the cushion includes a front edge and a rear edge, and wherein the front
edge has a greater dimension than the rear edge.

15. The aircraft of claim 1 wherein the aircraft is a vertical take-off and landing aircraft.

16. The aircraft of claim 15 wherein the aircraft is not a helicopter.

17. An aircraft comprising:

a body that defines a cabin interior and a longitudinal axis,

a front row positioned in the cabin interior, wherein the front row includes a first front seat and a second front seat, wherein the first and second front seats are angled away from one another, wherein the first front seat is angled outwardly such that it forms a first acute angle with the longitudinal axis, wherein the second front seat is angled outwardly such that it forms a second acute angle with the longitudinal axis, and wherein the first and second acute angles are approximately the same,

a back row positioned in the cabin interior aft of the front row, wherein the back row includes a first back seat and a second back seat, wherein the first and second back seats are angled away from one another, wherein the first back seat is angled outwardly such that it forms a third acute angle with the longitudinal axis, wherein the second back seat is angled outwardly such that it forms a fourth acute angle with the longitudinal axis, and wherein the first, second, third and fourth acute angles are the approximately same, and

a cockpit positioned forward of the front row, wherein a first foot space is defined on a first side of the cockpit, and wherein a second foot space is defined on a second side of the cockpit

18. The aircraft of claim 17 further comprising a front bench seat assembly that includes the first front seat and second front seat and a back bench seat assembly that includes the first back seat and second back seat, wherein the front bench seat assembly includes a center portion that separates the first front seat from the second front seat,

wherein the center portion includes a front edge and a rear edge, and wherein the front edge has a greater dimension than the rear edge, wherein the back bench seat assembly includes a center portion that separates the first back seat from the second back seat, and wherein the center portion includes a front edge and a rear edge, and wherein the front edge has a greater dimension than the rear edge.

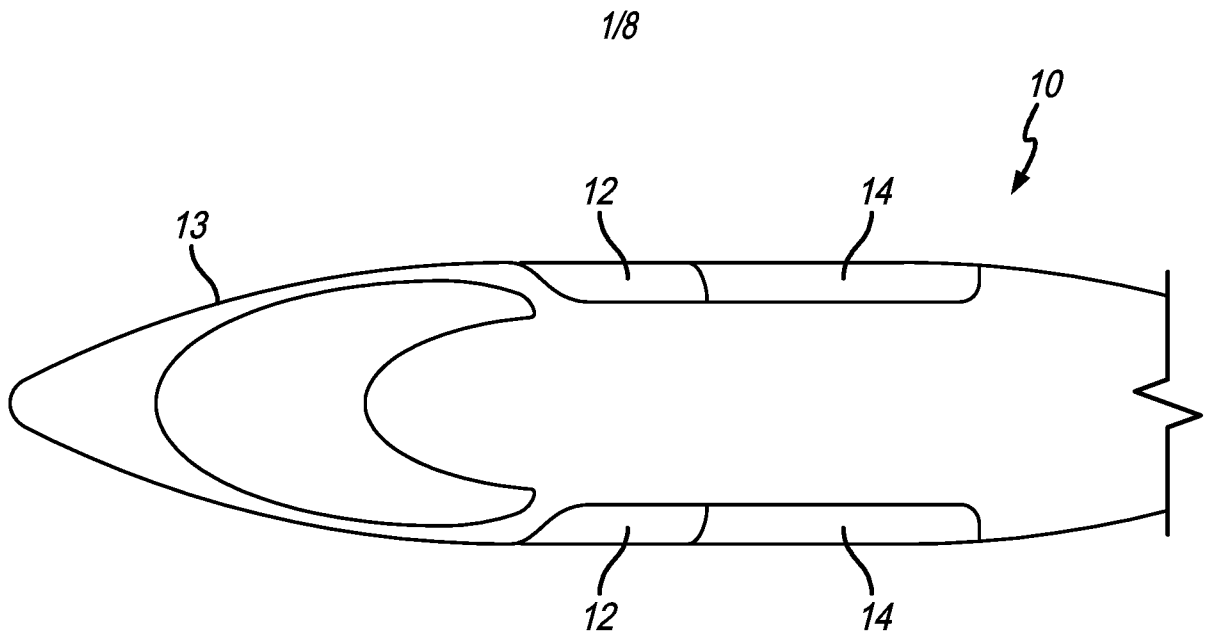


FIG. 1

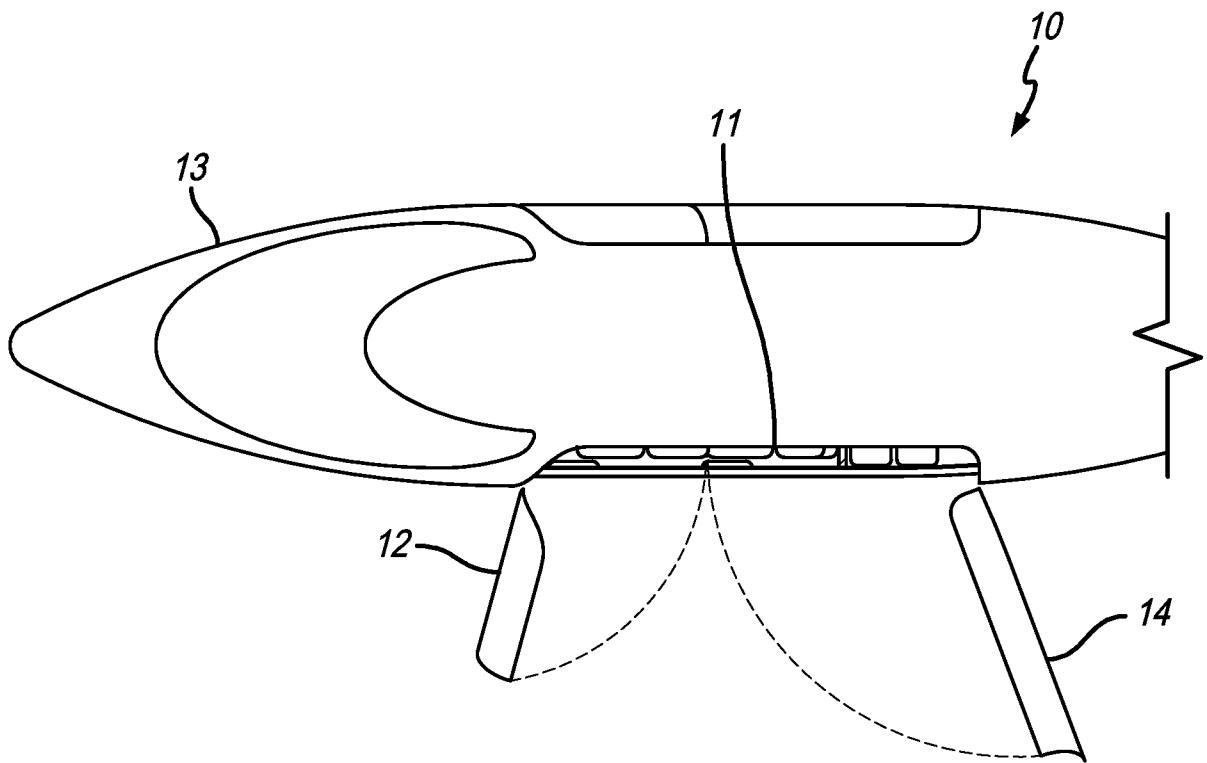


FIG. 2

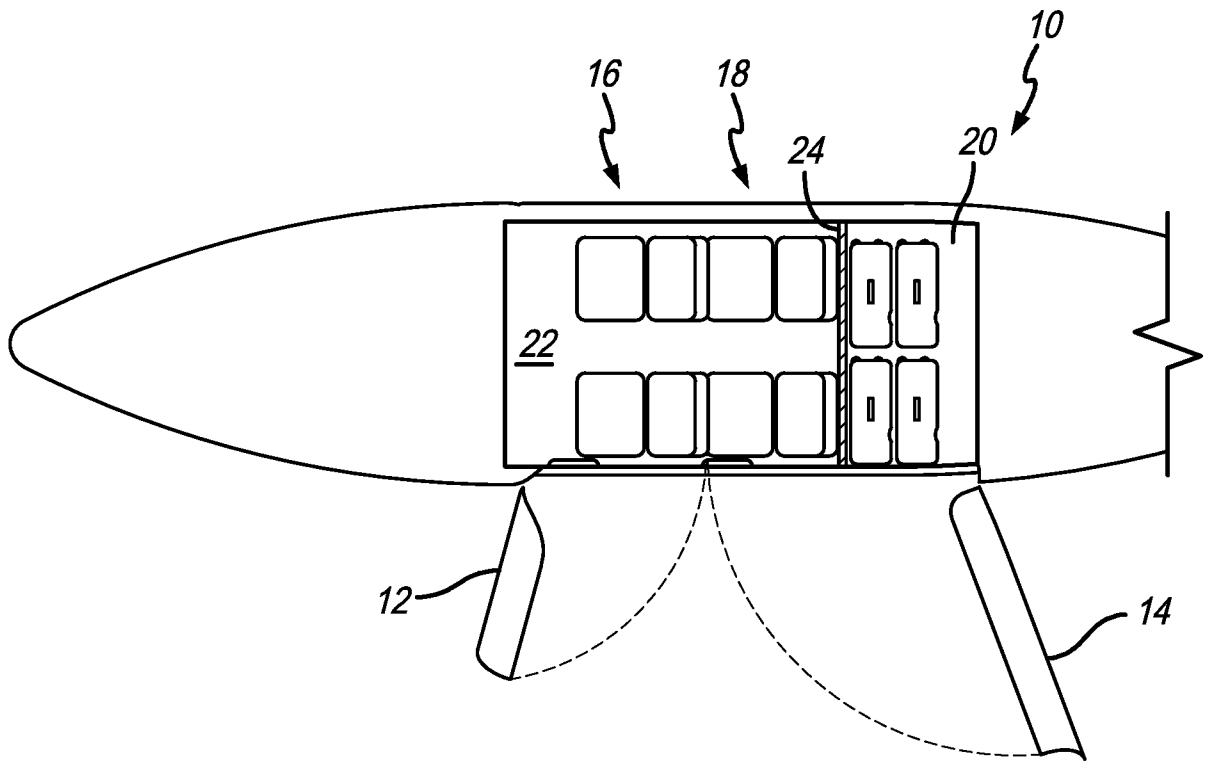


FIG. 3

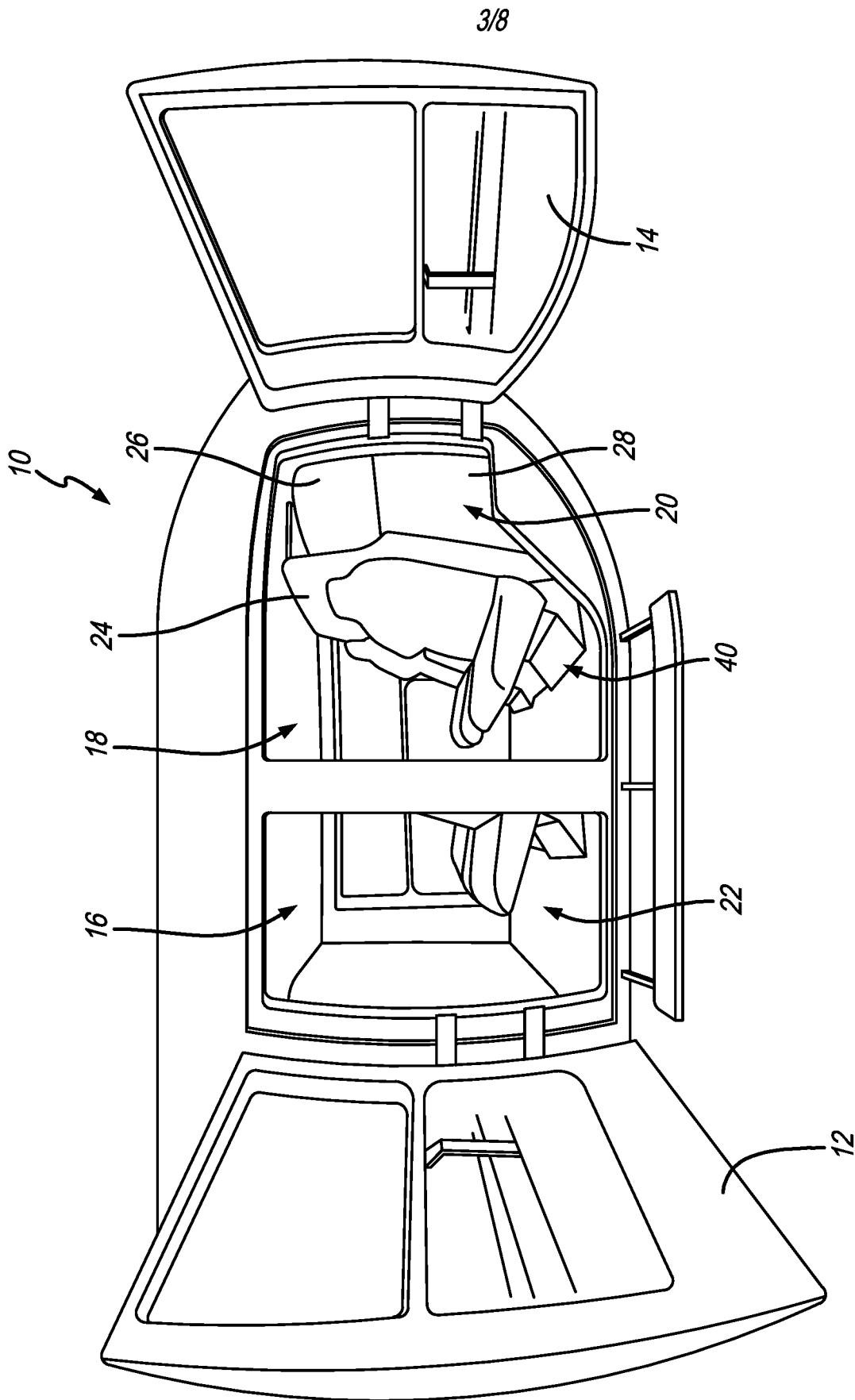


FIG. 4

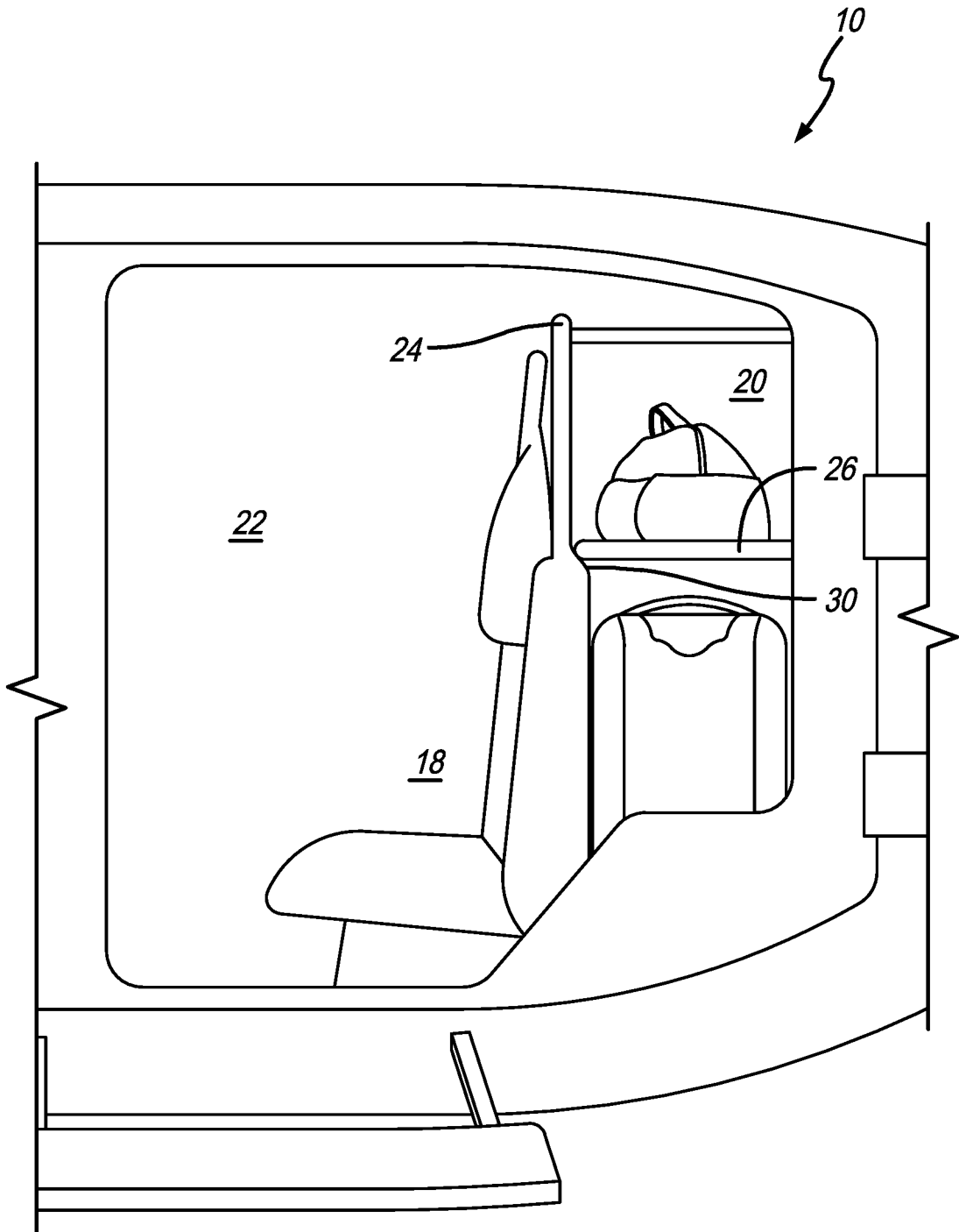


FIG. 5

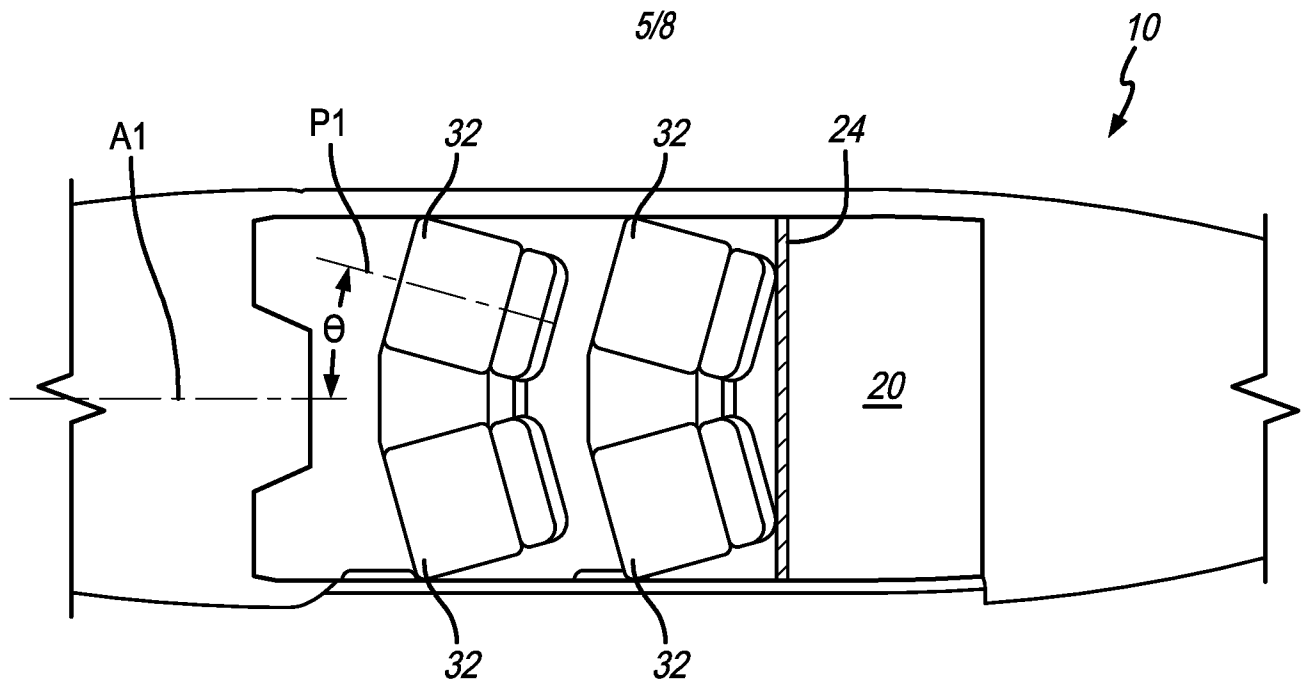


FIG. 6

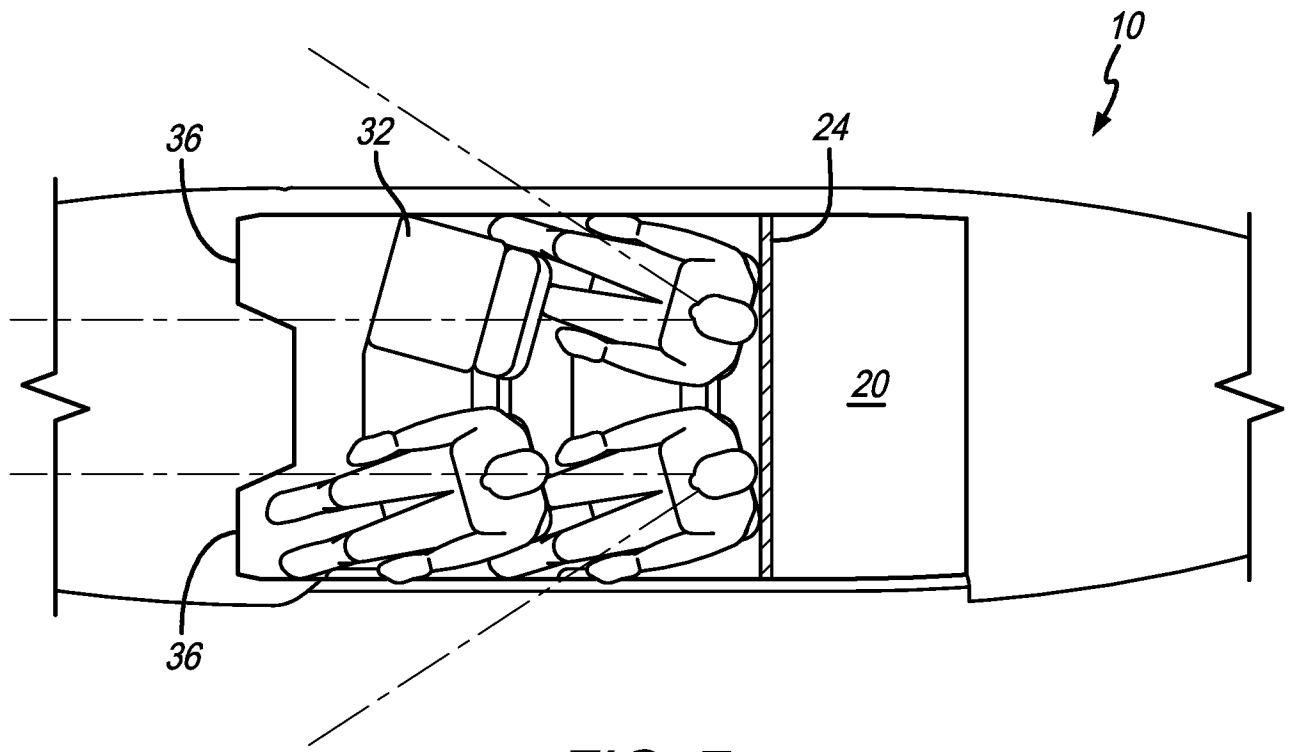


FIG. 7

7/8

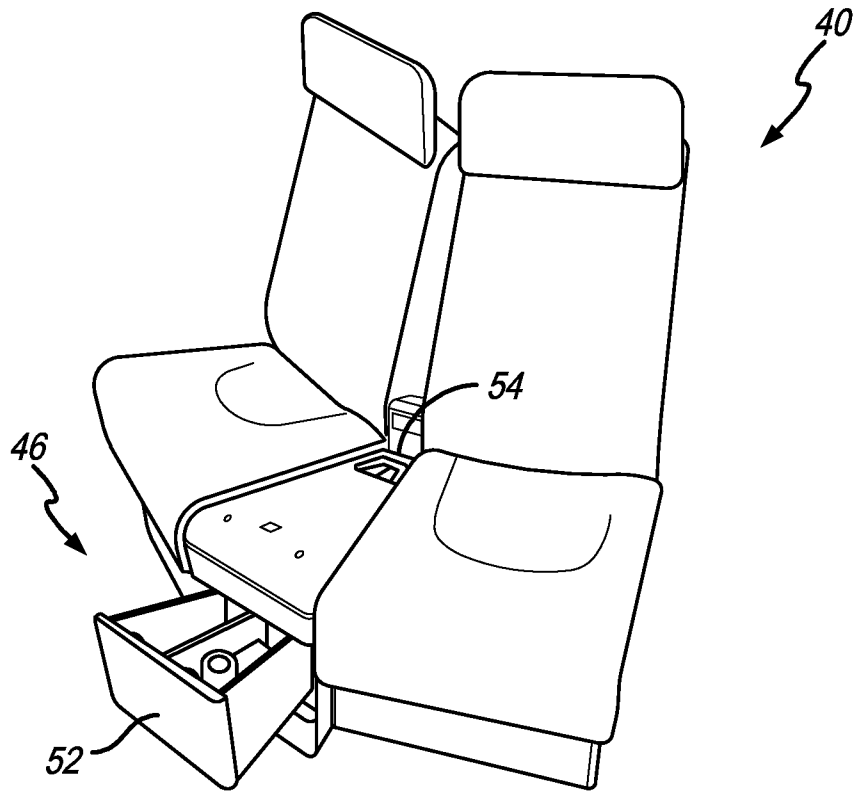


FIG. 10

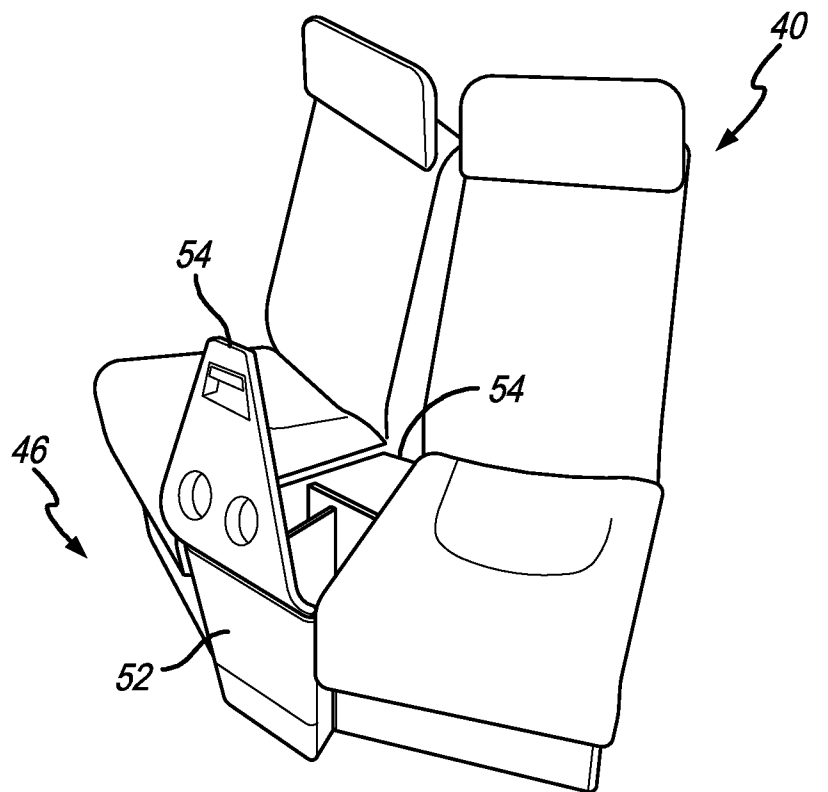


FIG. 11

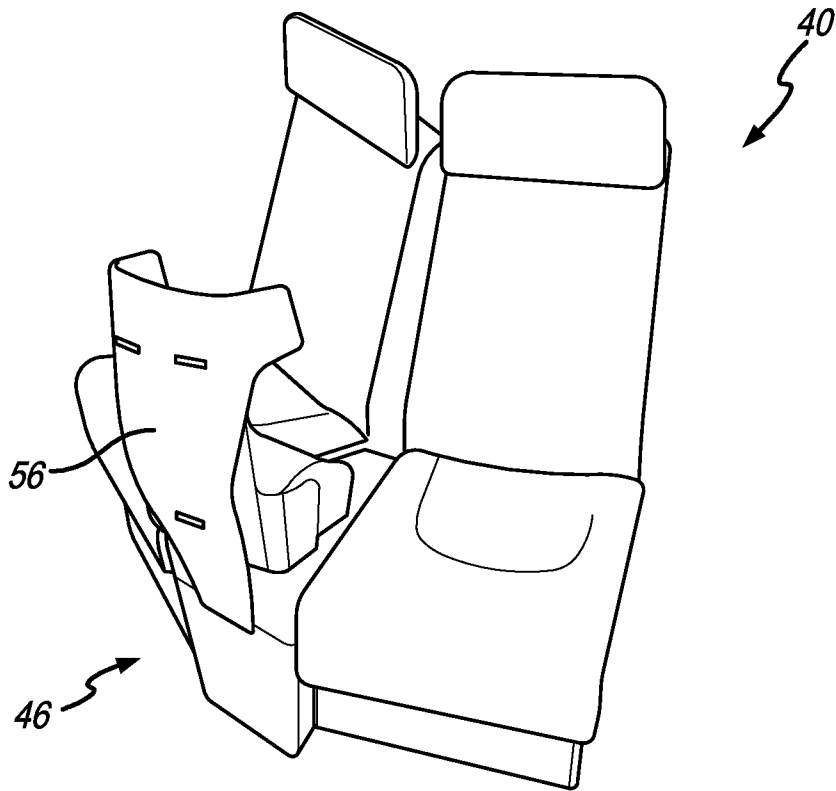


FIG. 12

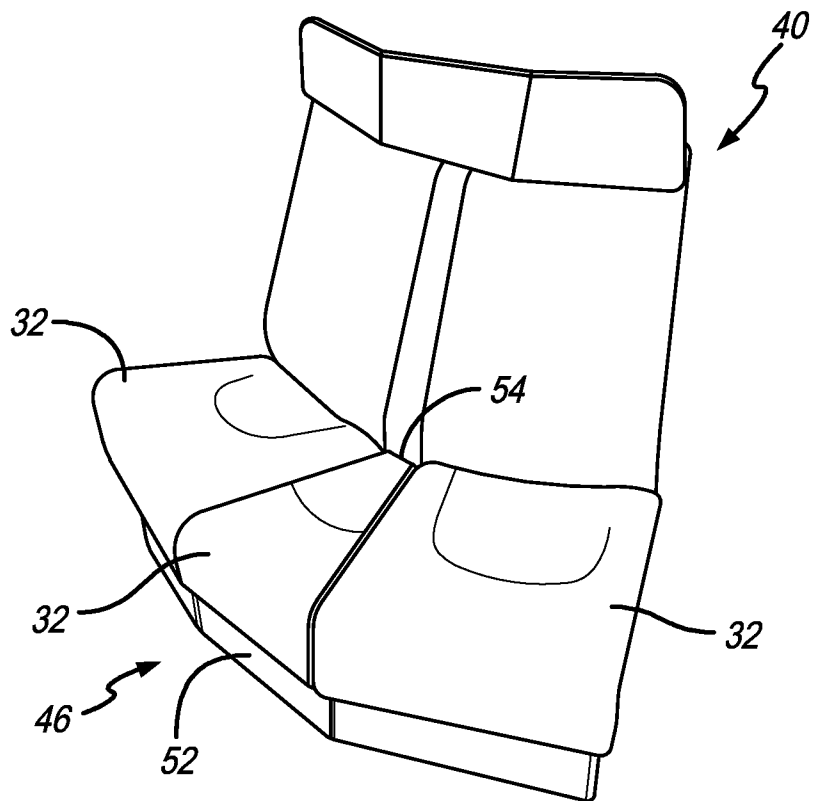


FIG. 13

INTERNATIONAL SEARCH REPORT

International application No.
PCT/US 19/49031

A. CLASSIFICATION OF SUBJECT MATTER
IPC(8) - B64D 11/06 (2019.01)
CPC - B64D 11/0601

According to International Patent Classification (IPC) or to both national classification and IPC

B. FIELDS SEARCHED

Minimum documentation searched (classification system followed by classification symbols)
See Search History Document

Documentation searched other than minimum documentation to the extent that such documents are included in the fields searched
See Search History Document

Electronic data base consulted during the international search (name of data base and, where practicable, search terms used)
See Search History Document

C. DOCUMENTS CONSIDERED TO BE RELEVANT

Category*	Citation of document, with indication, where appropriate, of the relevant passages	Relevant to claim No.
X --- Y --- A	US 9,126,689 B2 (AIR NEW ZEALAND LIMITED) 08 September 2015 (08.09.2015), entire document, especially Fig 3, 6b, 19-24, 31; col 15, ln 16-25; col 16, ln 65-67; col 17, ln 1-8, 58-67; col 18, ln 1-10, 22-24, 32-38; col 19, ln 38-46	1-7, 9, 13 ----- 12, 14-16 ----- 8, 10-11, 17-18
Y	US 8,800,912 B2 (OLIVER) 12 August 2014 (12.08.2014), entire document, especially Fig 2A; col 12, ln 15-19, 51-54	1, 15-16
Y	US 9,382,007 B2 (ERSAN et al.) 05 July 2016 (05.07.2016), entire document, especially Fig 2, 8a; col 4, ln 62-67; col 5, ln 1-3; col 8, ln 52-59	12
Y	WO 2018/178246 A1 (ZODIAC SEATS FRANCE) 04 October 2018 (04.10.2018), entire document, especially Fig 5a-5b; pg 10, para 5-6; pg 11, para 1	14
A	US 7,347,399 B2 (BOUCHET et al.) 25 March 2008 (25.03.2008), entire document, especially Fig 1; col 3, ln 61-64, 66-67; col 4, ln 1-8	8, 10-11, 17-18
A	US 2016/0214702 A1 (MARENCO SWISSHELICOPTER AG) 28 July 2016 (28.07.2016), entire document, especially Fig 2; para [0015], [0017]	8, 10-11, 17-18
A	US 9,476,246 B2 (GREENPOINT TECHNOLOGIES, INC.) 25 October 2016 (25.10.2016), entire document, especially Fig 11-15; col 13, ln 40-51, 61-67; col 14, ln 21-23; col 15, ln 41-49	8, 10-11, 17-18
A	US 8,864,071 B2 (VERGNAUD et al.) 21 October 2014 (21.10.2014), entire document	1-18
A	US 2017/0036765 A1 (OPTIMARES S.P.A.) 09 February 2017 (09.02.2017), entire document	1-18

Further documents are listed in the continuation of Box C. See patent family annex.

* Special categories of cited documents:

“A” document defining the general state of the art which is not considered to be of particular relevance

“E” earlier application or patent but published on or after the international filing date

“L” document which may throw doubts on priority claim(s) or which is cited to establish the publication date of another citation or other special reason (as specified)

“O” document referring to an oral disclosure, use, exhibition or other means

“P” document published prior to the international filing date but later than the priority date claimed

“T” later document published after the international filing date or priority date and not in conflict with the application but cited to understand the principle or theory underlying the invention

“X” document of particular relevance; the claimed invention cannot be considered novel or cannot be considered to involve an inventive step when the document is taken alone

“Y” document of particular relevance; the claimed invention cannot be considered to involve an inventive step when the document is combined with one or more other such documents, such combination being obvious to a person skilled in the art

“&” document member of the same patent family

Date of the actual completion of the international search 22 October 2019	Date of mailing of the international search report 20 NOV 2019
--	--

Name and mailing address of the ISA/US Mail Stop PCT, Attn: ISA/US, Commissioner for Patents P.O. Box 1450, Alexandria, Virginia 22313-1450 Facsimile No. 571-273-8300	Authorized officer: Lee W. Young PCT Helpdesk: 571-272-4300 PCT OSP: 571-272-7774
---	--