



US00D794796S

(12) **United States Design Patent** (10) **Patent No.:** **US D794,796 S**
Lin (45) **Date of Patent:** **** Aug. 15, 2017**

- (54) **INTERVERTEBRAL IMPLANT** 4,878,915 A 11/1989 Brantigan
 4,892,545 A 1/1990 Day
 (71) Applicant: **NuVasive, Inc.**, San Diego, CA (US) 4,904,261 A 2/1990 Dove
 4,932,975 A 6/1990 Main
 4,961,740 A 10/1990 Ray
 (72) Inventor: **Erika Lin**, San Diego, CA (US) 5,002,576 A 3/1991 Schmitz et al.
 5,015,247 A 5/1991 Michelson
 (73) Assignee: **NuVasive, Inc.**, San Diego, CA (US) 5,026,373 A 6/1991 Ray
 5,047,055 A 9/1991 Bao
 (**) Term: **15 Years** 5,055,104 A 10/1991 Ray
 5,062,850 A 11/1991 MacMillan
 (21) Appl. No.: **29/577,261** 5,071,437 A 12/1991 Steffee
 5,171,278 A 12/1992 Pisharodi
 5,263,953 A 11/1993 Bagby
 (22) Filed: **Sep. 12, 2016** 5,290,494 A 3/1994 Coombes
 5,306,307 A 4/1994 Senter
 5,306,309 A 4/1994 Wagner
 5,364,400 A 11/1994 Rego
 5,397,364 A 3/1995 Kozak
 5,405,391 A 4/1995 Hednerson
 5,413,602 A 5/1995 Metz-Stavenhagen
 5,425,772 A 6/1995 Brantigan
 5,431,658 A 7/1995 Moskovich
 5,443,514 A 8/1995 Steffee
 5,443,515 A 8/1995 Cohen
 5,454,811 A 10/1995 Huebner
 5,458,638 A 10/1995 Kuslich
 5,484,437 A 1/1996 Michelson
 5,489,307 A 2/1996 Kuslich
 5,489,308 A 2/1996 Kuslich
 5,514,180 A 5/1996 Heggeness
 5,522,899 A 6/1996 Michelson
 5,534,030 A 7/1996 Navarro
 5,534,031 A 7/1996 Matsuzaki
 5,540,688 A 7/1996 Navas
 5,549,612 A 8/1996 Yapp
 5,562,736 A 10/1996 Ray
 5,571,190 A 11/1996 Ulrich
 5,571,192 A 11/1996 Schonhoffer
 5,593,409 A 1/1997 Michelson
 5,609,636 A 3/1997 Kohrs
 5,611,800 A 3/1997 Davis
 5,616,144 A 4/1997 Yapp
 5,632,747 A 5/1997 Scarborough
 5,645,598 A 7/1997 Brosnahan
 5,653,761 A 8/1997 Pisharodi
 5,653,762 A 8/1997 Pisharodi
 5,665,122 A 9/1997 Kambin
 5,669,909 A 9/1997 Zdeblick
 5,676,703 A 10/1997 Gelbard
 5,683,394 A 11/1997 Rinner
 5,683,464 A 11/1997 Wagner
 5,700,264 A 12/1997 Zucherman

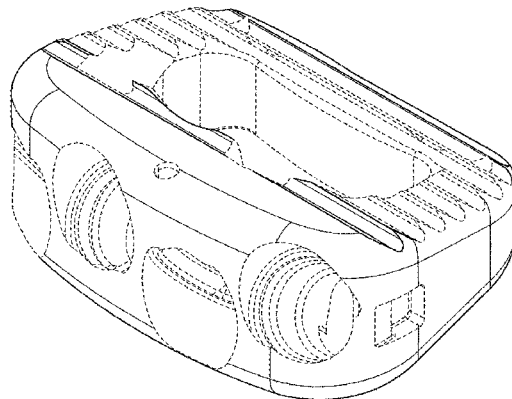
Related U.S. Application Data

- (63) Continuation of application No. 29/547,760, filed on Dec. 7, 2015, now Pat. No. Des. 767,137, which is a continuation of application No. 29/469,512, filed on Oct. 10, 2013, now Pat. No. Des. 745,159.
 (51) **LOC (10) Cl.** **24-02**
 (52) **U.S. Cl.**
 USPC **D24/155**
 (58) **Field of Classification Search**
 USPC D24/155-157
 CPC A61F 2/4611; A61F 2/442; A61F 2/447;
 A61F 2220/0025; A61F 2310/00023;
 A61F 2310/00017; A61F 2002/4475;
 A61F 2002/30841; A61F 2002/2835;
 A61F 2002/30904; A61F 2002/30785;
 A61F 2002/443; A61F 2002/30578
 See application file for complete search history.

References Cited

U.S. PATENT DOCUMENTS

- | | | |
|-------------|---------|-----------|
| 3,848,601 A | 11/1974 | Ma |
| 3,867,728 A | 2/1975 | Stubstad |
| 4,463,753 A | 8/1984 | Gustilo |
| 4,501,269 A | 2/1985 | Bagby |
| 4,599,086 A | 7/1986 | Doty |
| 4,657,550 A | 4/1987 | Daher |
| 4,743,256 A | 5/1988 | Brantigan |
| 4,781,591 A | 11/1988 | Allen |
| 4,790,303 A | 12/1988 | Steffee |
| 4,834,757 A | 5/1989 | Brantigan |



US D794,796 S

5,700,291 A	12/1997	Kulich	6,442,814 B1	9/2002	Landry
5,700,292 A	12/1997	Margulies	6,454,806 B1	9/2002	Cohen
5,702,449 A	12/1997	McKay	6,468,311 B2	10/2002	Boyd
5,702,451 A	12/1997	Biedermann	6,471,724 B2	10/2002	Zdeblick
5,702,453 A	12/1997	Rabbe	6,485,517 B1	11/2002	Michelson
5,702,454 A	12/1997	Baumgartner	6,485,518 B1	11/2002	Cornwall
5,702,455 A	12/1997	Sagggar	6,503,279 B1	1/2003	Webb
5,713,899 A	2/1998	Marnay	6,527,773 B1	3/2003	Lin
5,716,415 A	2/1998	Steffee	6,540,785 B1	4/2003	Gill
5,728,159 A	3/1998	Stroever	6,558,423 B1	5/2003	Michelson
5,741,253 A	4/1998	Michelson	6,558,424 B2	5/2003	Thalgott
5,741,261 A	4/1998	Moskovitz	6,562,073 B2	5/2003	Foley
5,766,252 A	6/1998	Henry	6,576,017 B2	6/2003	Foley
5,772,661 A	6/1998	Michelson	6,579,290 B1	6/2003	Hardcastle
5,782,830 A	7/1998	Farris	6,595,998 B2	7/2003	Johnson
5,782,832 A	7/1998	Larsen	6,626,905 B1	9/2003	Schmiel
5,785,710 A	7/1998	Michelson	6,626,907 B2	9/2003	Campbell
5,797,909 A	8/1998	Michelson	6,635,086 B2	10/2003	Lin
5,800,550 A	9/1998	Sertich	6,648,895 B2	11/2003	Burkus
5,814,084 A	9/1998	Grivas	6,652,525 B1	11/2003	Assaker
5,843,082 A	12/1998	Yuan	6,669,700 B1	12/2003	Farris
5,860,973 A	1/1999	Michelson	6,676,703 B2	1/2004	Biscup
5,861,041 A	1/1999	Tienboon	6,682,561 B2	1/2004	Songer
5,865,845 A	2/1999	Thalgott	6,706,067 B2	3/2004	Shimp
5,865,848 A	2/1999	Baker	6,730,127 B2	5/2004	Michelson
5,876,456 A	3/1999	Sederholm	6,743,255 B2	6/2004	Ferree
5,876,457 A	3/1999	Picha	6,746,454 B2	6/2004	Winterbottom
5,885,299 A	3/1999	Winslow	6,746,484 B1	6/2004	Liu
5,888,224 A	3/1999	Beckers	6,755,841 B2	6/2004	Fraser
5,893,889 A	4/1999	Harrington	D493,533 S	7/2004	Blain
5,904,719 A	5/1999	Errico	6,824,564 B2	11/2004	Crozet
5,910,315 A	6/1999	Stevenson	6,855,167 B2	2/2005	Shimp
5,951,558 A	9/1999	Fiz	6,911,045 B2	6/2005	Shimp
5,968,098 A	10/1999	Winslow	6,916,320 B2	7/2005	Michelson
6,004,326 A	12/1999	Castro	6,926,718 B1	8/2005	Michelson
6,008,433 A	12/1999	Stone	6,964,687 B1	11/2005	Bernard
6,015,436 A	1/2000	Schonhoffer	6,969,390 B2	11/2005	Michelson
6,039,761 A	3/2000	Li	6,972,019 B2	12/2005	Michelson
6,042,582 A	3/2000	Ray	6,979,353 B2	12/2005	Bresina
6,045,580 A	4/2000	Scarborough	6,984,245 B2	1/2006	McGahan
6,048,342 A	4/2000	Zucherman	6,986,788 B2	1/2006	Paul
6,059,829 A	5/2000	Schlöpfer	6,989,031 B2	1/2006	Michelson
6,063,088 A	5/2000	Winslow	7,001,385 B2	2/2006	Bonutti
6,083,225 A	7/2000	Winslow	7,001,387 B2	2/2006	Farris
6,099,531 A	8/2000	Bonutti	7,018,416 B2	3/2006	Hanson
6,120,503 A	9/2000	Michelson	7,033,394 B2	4/2006	Michelson
6,120,506 A	9/2000	Kohrs	7,041,135 B2	5/2006	Michelson
6,123,705 A	9/2000	Michelson	7,063,701 B2	6/2006	Michelson
6,136,001 A	10/2000	Michelson	7,077,844 B2	7/2006	Michelson
6,139,550 A	10/2000	Michelson	7,094,239 B1	8/2006	Michelson
6,143,033 A	11/2000	Paul	7,112,222 B2	9/2006	Fraser
6,152,927 A	11/2000	Farris	D530,423 S	10/2006	Miles
6,159,211 A	12/2000	Boriani	7,125,425 B2	10/2006	Foley
6,159,215 A	12/2000	Camino	7,137,984 B2	11/2006	Michelson
6,193,721 B1	2/2001	Michelson	7,163,561 B2	1/2007	Michelson
6,193,756 B1	2/2001	Studer	7,172,627 B2	2/2007	Fiere
6,200,347 B1	3/2001	Anderson	7,192,447 B2	3/2007	Rhoda
6,214,005 B1	4/2001	Benzel	7,226,482 B2	6/2007	Messerli
6,224,607 B1	5/2001	Michelson	7,232,464 B2	6/2007	Mathieu
6,224,631 B1	5/2001	Kohrs	7,235,105 B2	6/2007	Jackson
6,235,059 B1	5/2001	Benezech	7,244,258 B2	7/2007	Burkus
6,241,769 B1	6/2001	Nicholson	7,255,698 B2	8/2007	Michelson
6,241,771 B1	6/2001	Gresser	7,267,690 B2	9/2007	Felt
6,251,140 B1	6/2001	Marino	D553,742 S	10/2007	Park
6,258,089 B1	7/2001	Campbell	7,303,583 B1	12/2007	Schär
6,258,125 B1	7/2001	Paul	7,323,011 B2	1/2008	Shepard
6,277,149 B1	8/2001	Boyle	7,326,251 B2	2/2008	McCombe
6,306,139 B1	10/2001	Fuentes	D580,552 S	11/2008	Cohen
6,306,170 B2	10/2001	Ray	7,491,237 B2	2/2009	Randall
6,319,257 B1	11/2001	Carignan	D594,986 S	6/2009	Miles
6,364,880 B1	4/2002	Michelson	D595,853 S	7/2009	Hanson
6,371,986 B1	4/2002	Bagby	D599,019 S	8/2009	Pimenta
6,371,989 B1	4/2002	Chauvin	7,621,956 B2	11/2009	Paul
6,383,221 B1	5/2002	Scarborough	7,621,960 B2	11/2009	Boyd
6,395,030 B1	5/2002	Songer	7,637,950 B2*	12/2009	Baccelli A61F 2/4455
6,409,766 B1	6/2002	Brett			623/17.11
6,423,063 B1	7/2002	Bonutti	7,637,951 B2	12/2009	Michelson
6,432,140 B1	8/2002	Lin	7,637,954 B2	12/2009	Michelson
6,440,142 B1	8/2002	Ralph	7,651,497 B2	1/2010	Michelson

7,662,185	B2	2/2010	Alfaro	
D611,147	S	3/2010	Hanson	
D615,653	S	5/2010	Horton	
D619,255	S *	7/2010	Richter D24/155
D621,509	S	8/2010	Lovell	
7,776,093	B2	8/2010	Wolek	
D623,747	S	9/2010	Horton	
D623,748	S	9/2010	Horton	
D623,749	S	9/2010	Horton	
D623,750	S	9/2010	Duffield	
D627,468	S	11/2010	Richter	
7,846,207	B2	12/2010	Lechmann	
7,867,277	B1	1/2011	Tohmeh	
D631,967	S	2/2011	Horton	
7,914,554	B2	3/2011	Michelson	
D637,721	S	5/2011	Horton	
7,951,203	B2	5/2011	McCombe	
8,021,430	B2	9/2011	Michelson	
8,048,075	B2	11/2011	Michelson	
8,187,334	B2	5/2012	Curran	
8,246,686	B1	8/2012	Curran	
8,251,997	B2	8/2012	Michelson	
D671,645	S	11/2012	Curran	
D674,092	S	1/2013	Lovell	
D675,320	S	1/2013	Oi	
8,361,156	B2	1/2013	Curran	
D682,427	S *	5/2013	Farris A61F 2/447 D24/155
8,506,636	B2	8/2013	Dye	
D692,136	S *	10/2013	Tyber D24/155
8,574,301	B2	11/2013	Curran	
8,579,909	B2	11/2013	Burkus	
8,591,589	B2	11/2013	McCombe	
D696,402	S	12/2013	Oi	
8,608,804	B2	12/2013	Curran	
8,740,983	B1 *	6/2014	Arnold A61F 2/4455 623/17.16
D708,747	S *	7/2014	Curran D24/155
D711,537	S *	8/2014	Pimenta D24/155
8,840,668	B1	9/2014	Donahoe	
D721,808	S	1/2015	Oi	
D735,859	S *	8/2015	Palinchik D24/155
D735,860	S *	8/2015	Palinchik D24/155
D736,384	S *	8/2015	Palinchik D24/155
D745,159	S *	12/2015	Lin D24/155
2005/0177245	A1	8/2005	Leatherbury	
2005/0187552	A1	8/2005	Michelson	
2006/0079961	A1	4/2006	Michelson	
2006/0085071	A1	4/2006	Lechmann	
2006/0122703	A1	6/2006	Aebi	
2006/0200166	A1	9/2006	Hanson	
2006/0206208	A1	9/2006	Michelson	
2006/0282165	A1	12/2006	Pisharodi	
2007/0233253	A1	10/2007	Bray	
2007/0270965	A1	11/2007	Ferguson	
2008/0082173	A1	4/2008	Delurio	
2008/0177307	A1	7/2008	Moskowitz	
2008/0249569	A1	10/2008	Waugh	
2008/0281425	A1	11/2008	Thalgott	
2008/0306596	A1 *	12/2008	Jones A61F 2/4455 623/17.16
2008/0312742	A1	12/2008	Abernathie	
2009/0088849	A1	4/2009	Armstrong	
2009/0099659	A1	4/2009	Oh	
2009/0105831	A1	4/2009	Jones	
2009/0157186	A1	6/2009	Magerl	
2009/0182430	A1	7/2009	Tyber	
2009/0210062	A1	8/2009	Thalgott	
2009/0210063	A1	8/2009	Barrett	
2009/0224023	A1	9/2009	Moskowitz	
2009/0234455	A1	9/2009	Moskowitz	
2009/0259256	A1	10/2009	Miller	
2009/0270991	A1	10/2009	Michelson	
2010/0049324	A1	2/2010	Valdevit	
2010/0057206	A1	3/2010	Duffield	
2010/0087925	A1 *	4/2010	Kostuik A61F 2/447 623/17.16
2010/0125334	A1	5/2010	Krueger	
2010/0145460	A1	6/2010	McDonough	

2010/0185288	A1	7/2010	Carls
2010/0204739	A1	8/2010	Bae
2010/0249935	A1	9/2010	Slivka

FOREIGN PATENT DOCUMENTS

CA	2444232	A1	8/1998
CA	2523814	A1	8/1998
CA	2533713	A1	8/1998
DE	29511146	U1	1/1996
DE	19630256	A1	1/1998
EP	0179695	A1	4/1986
EP	0560140	A1	9/1993
EP	0716840	B1	6/1996
EP	0880938	A1	2/1998
FR	2727003	A1	5/1996
FR	2727619	A1	6/1996
FR	2923155	A1	5/2009
JP	4114644	A	4/1992
SU	1519677	A1	11/1989
SU	1715338	A1	2/1992
WO	WO-9404100	A1	3/1994
WO	WO-9501810	A1	1/1995
WO	WO-9525474	A1	9/1995
WO	WO-9608205	A1	3/1996
WO	WO-9720526	A1	6/1997
WO	WO-9723175	A1	7/1997
WO	WO-9733525	A1	9/1997
WO	WO-9817208	A1	4/1998
WO	WO-9963913	A2	12/1999
WO	WO-9963914	A1	12/1999
WO	WO-02065957	A2	8/2002
WO	WO-2007098288	A2	8/2007
WO	WO-2009064644	A1	5/2009
WO	WO-2009071153	A1	6/2009
WO	WO-2009091775	A2	7/2009
WO	WO-2009092961	A2	7/2009
WO	WO-200909559	A2	8/2009
WO	WO-2009144671	A1	12/2009
WO	WO-2010028045	A1	3/2010
WO	WO-2010028095	A1	3/2010
WO	WO-2010079993	A2	7/2010

* cited by examiner

Primary Examiner — Charles Hanson
(74) Attorney, Agent, or Firm — Jeremy A. Smith;
Timothy L. Capria; Bradley Arant Boult Cummings LLP

(57) CLAIM

The ornamental design for an intervertebral implant, substantially as shown and described.

DESCRIPTION

FIG. 1 is a perspective view of an intervertebral implant according to one embodiment of our new design; FIG. 2 is a front view of the intervertebral implant of FIG. 1; FIG. 3 is a side view of the intervertebral implant of FIG. 1; FIG. 4 is a back view of the intervertebral implant of FIG. 1; FIG. 5 is an top view of the intervertebral implant of FIG. 1; FIG. 6 is an alternate side view of the intervertebral implant of FIG. 1; FIG. 7 is a bottom view of the intervertebral implant of FIG. 1; FIG. 8 is a perspective view of an intervertebral implant according to a second embodiment of our new design; FIG. 9 is a front view of the intervertebral implant of FIG. 8;

FIG. 10 is a side view of the intervertebral implant of FIG. 8;
FIG. 11 is a back view of the intervertebral implant of FIG. 8;
FIG. 12 is an top view of the intervertebral implant of FIG. 8;
FIG. 13 is an alternate side view of the intervertebral implant of FIG. 8;
FIG. 14 is a bottom view of the intervertebral implant of FIG. 8;
FIG. 15 is a perspective view of an intervertebral implant according to a third embodiment of our new design;
FIG. 16 is a front view of the intervertebral implant of FIG. 15;
FIG. 17 is a side view of the intervertebral implant of FIG. 15;
FIG. 18 is a back view of the intervertebral implant of FIG. 15;
FIG. 19 is an top view of the intervertebral implant of FIG. 15;
FIG. 20 is an alternate side view of the intervertebral implant of FIG. 15; and,
FIG. 21 is a bottom view of the intervertebral implant of FIG. 15.

The broken line showing is included for the purpose of illustrating environment and forms no part of the claimed design.

1 Claim, 12 Drawing Sheets

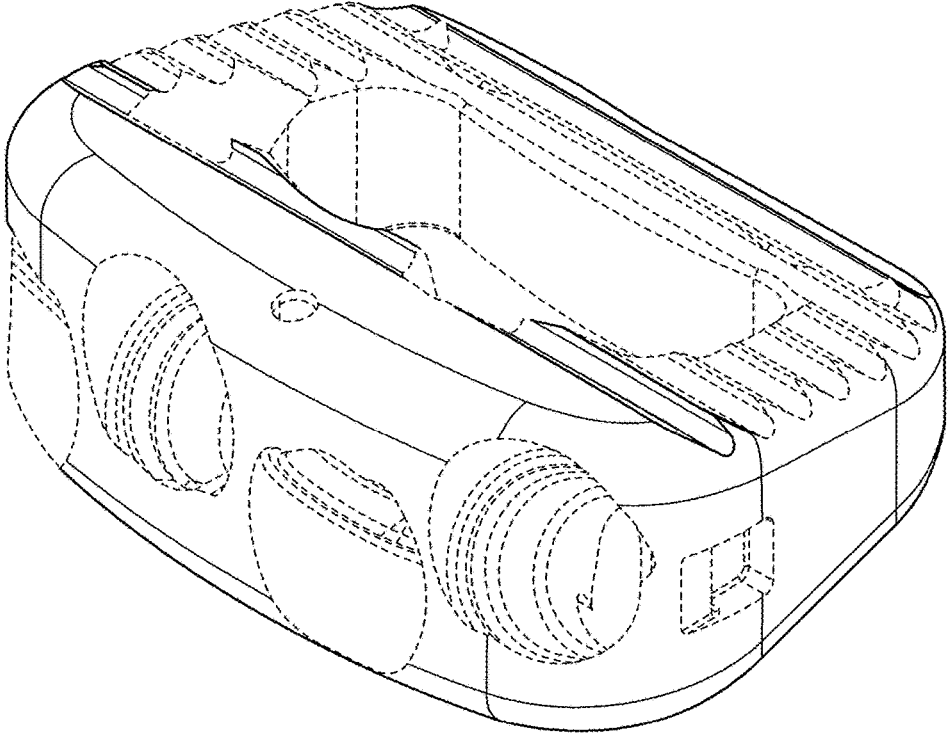


FIG. 1

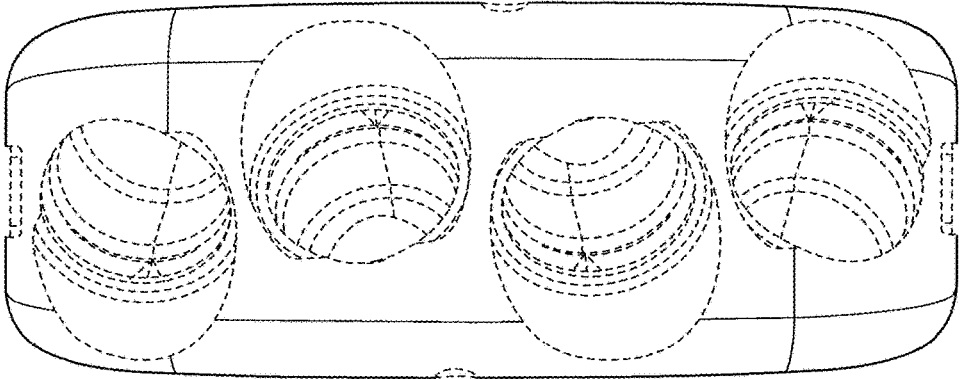


FIG. 2

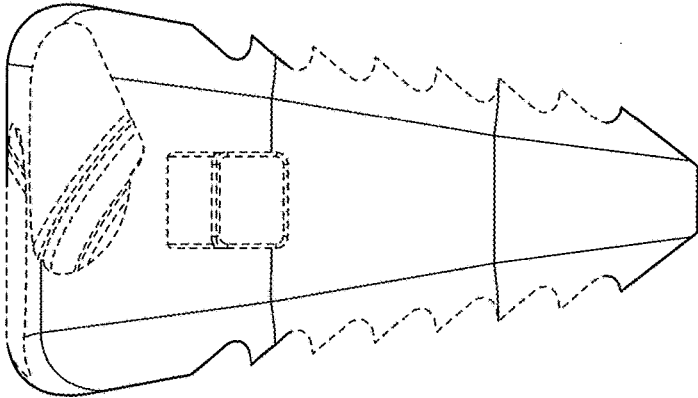


FIG. 3

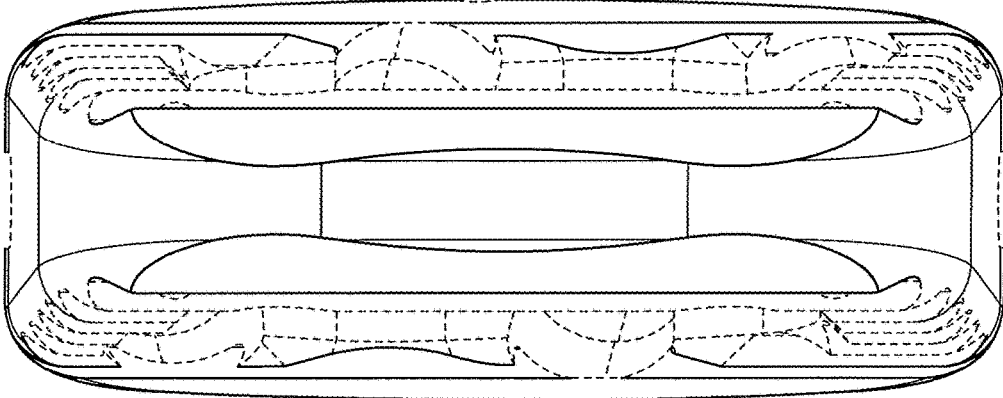


FIG. 4

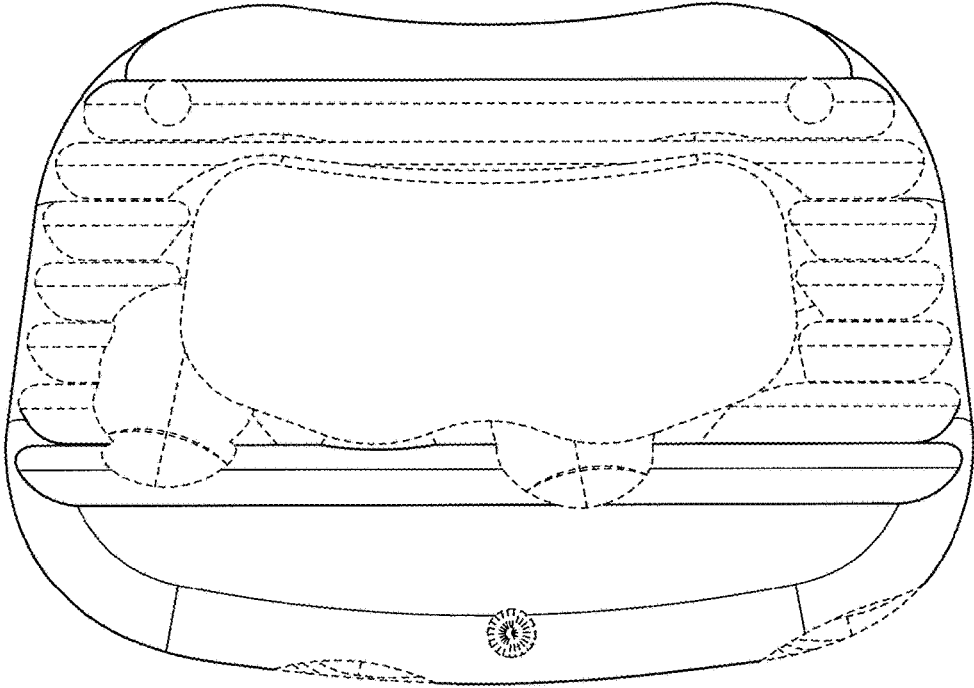


FIG. 5

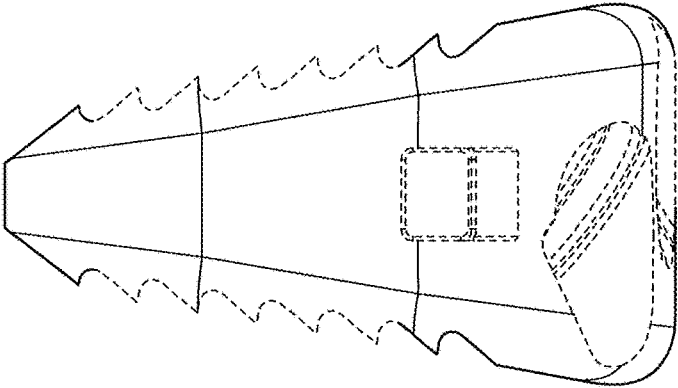


FIG. 6

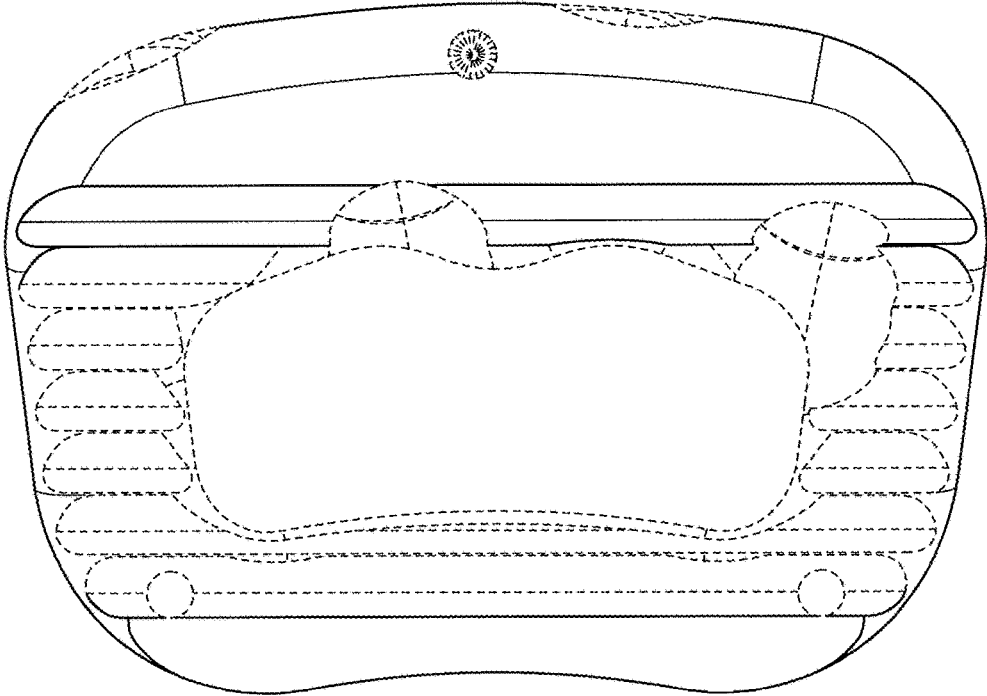


FIG. 7

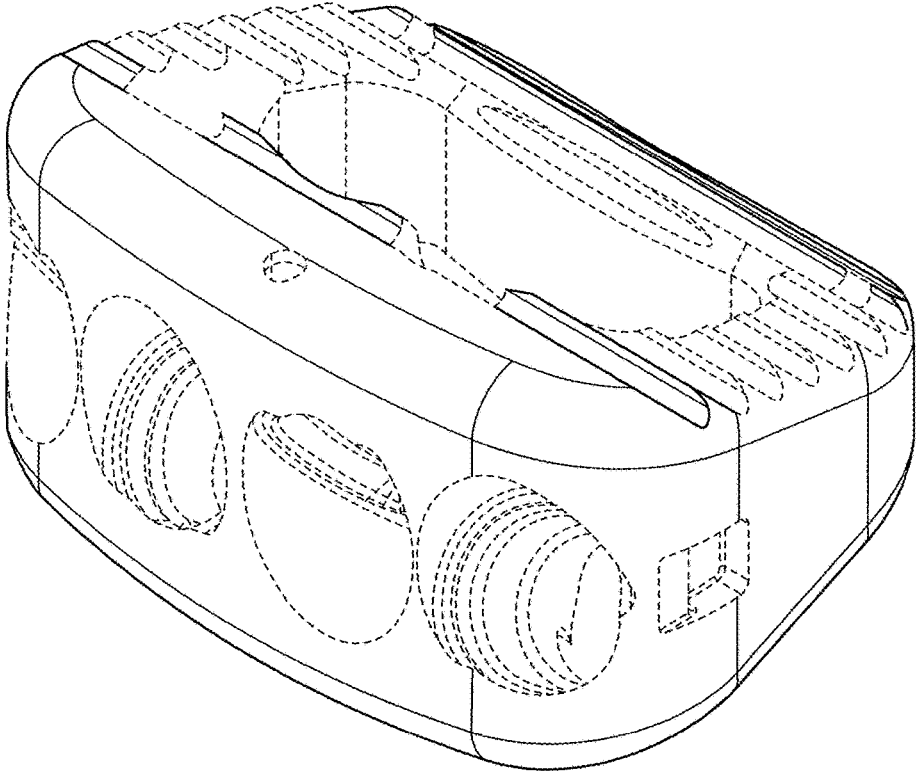


FIG. 8

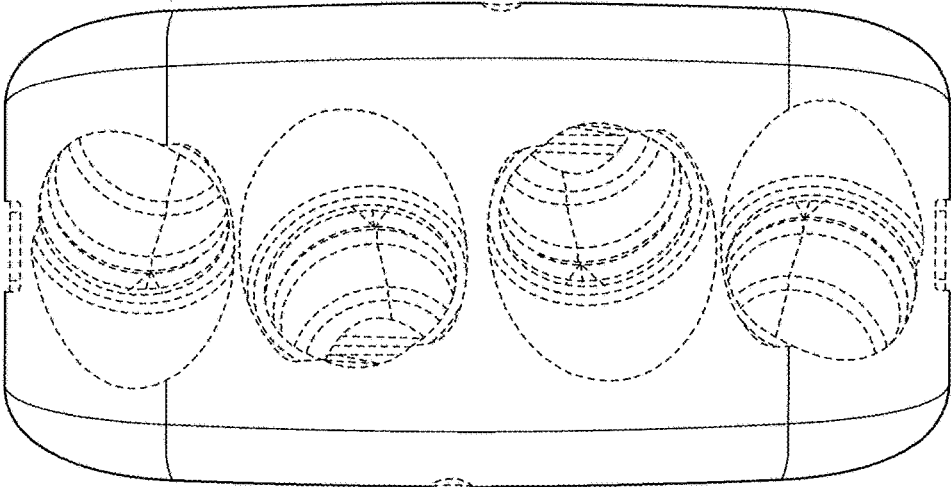


FIG. 9

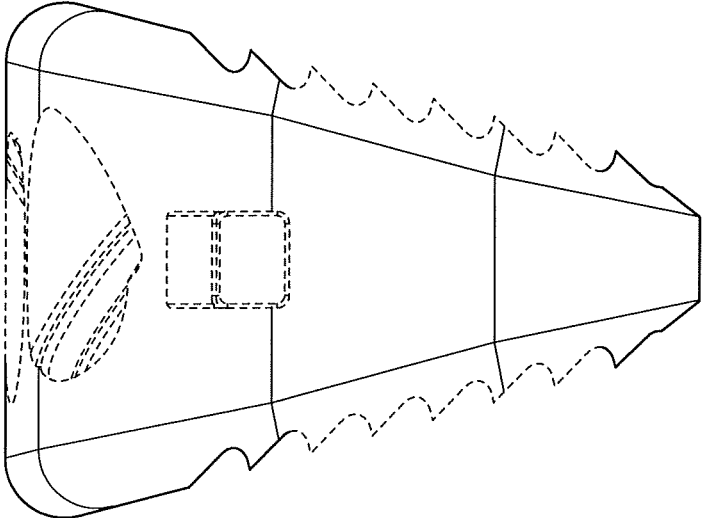


FIG. 10

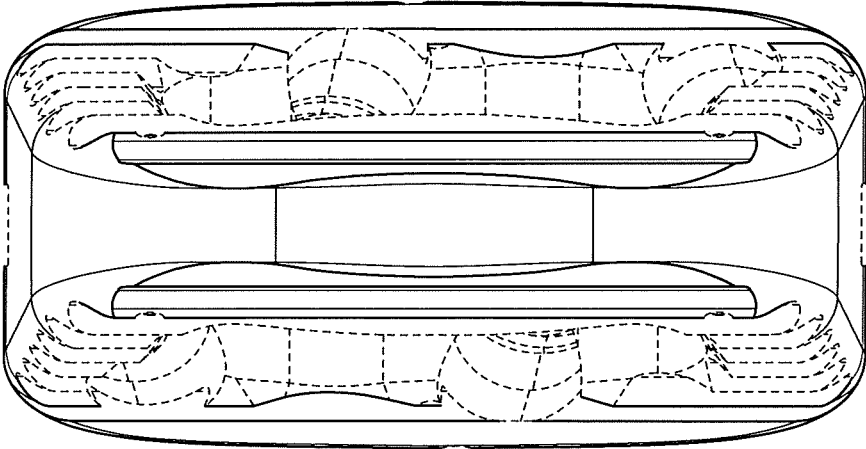


FIG. 11

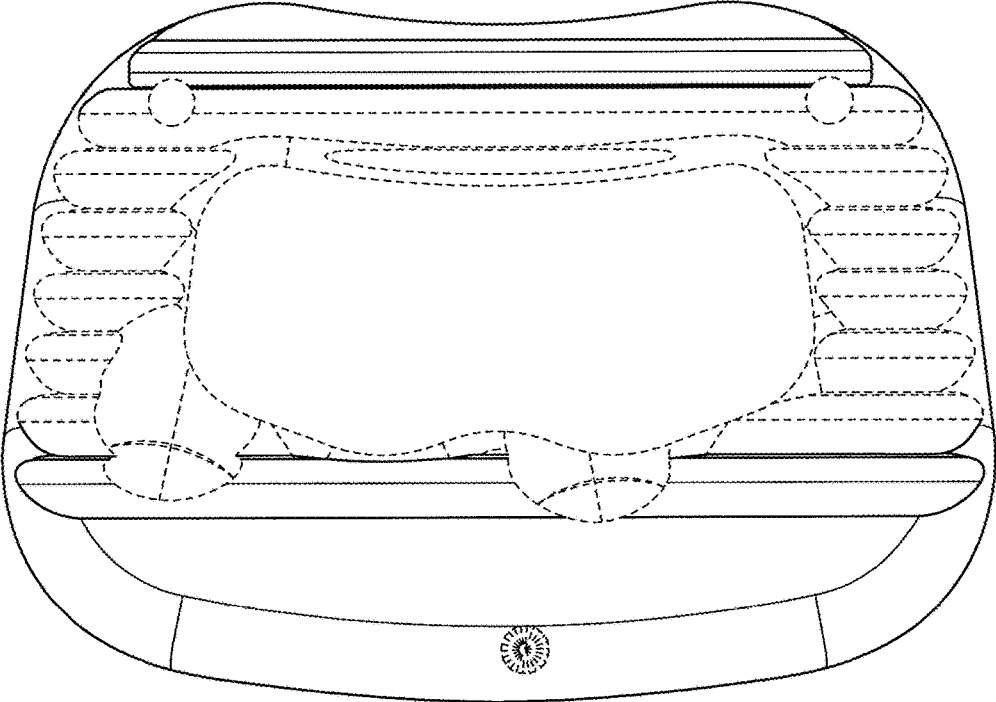


FIG. 12

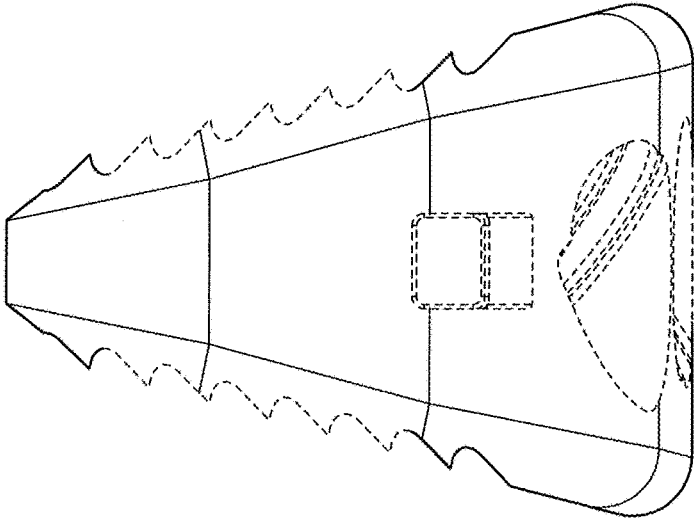


FIG. 13

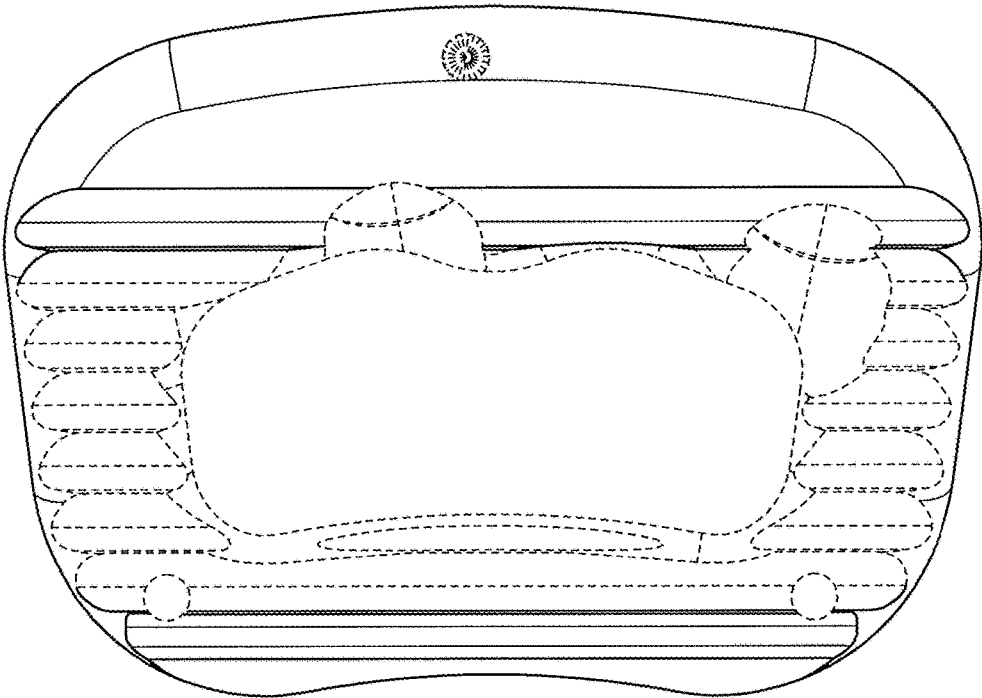


FIG. 14

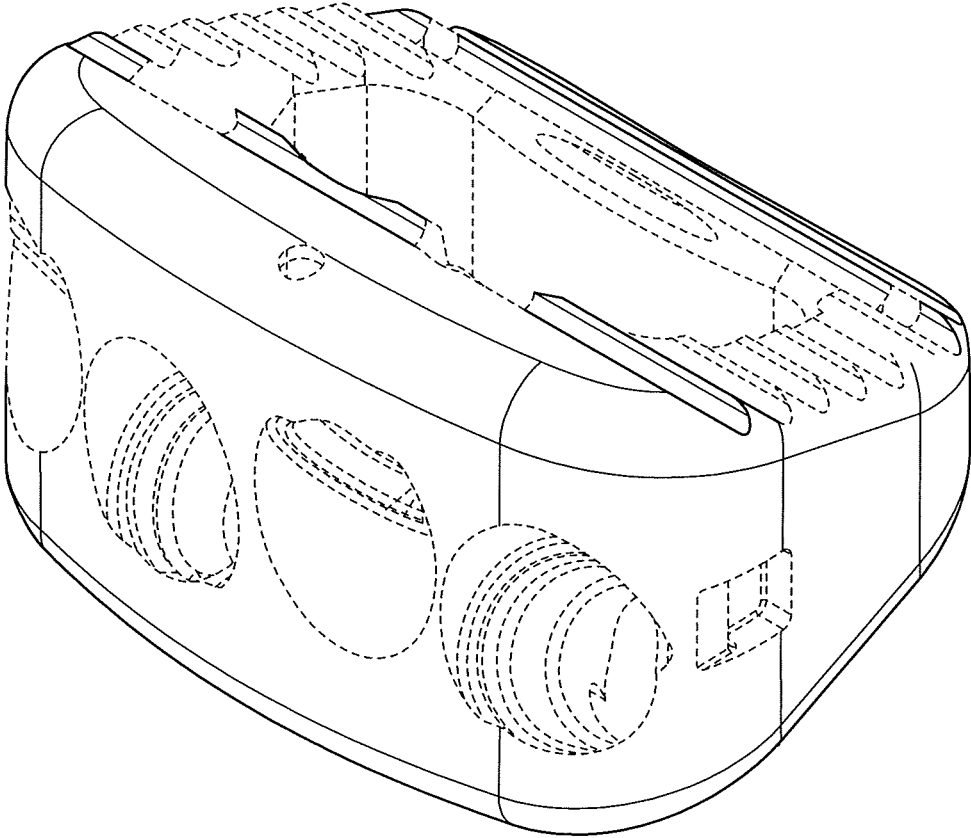


FIG. 15

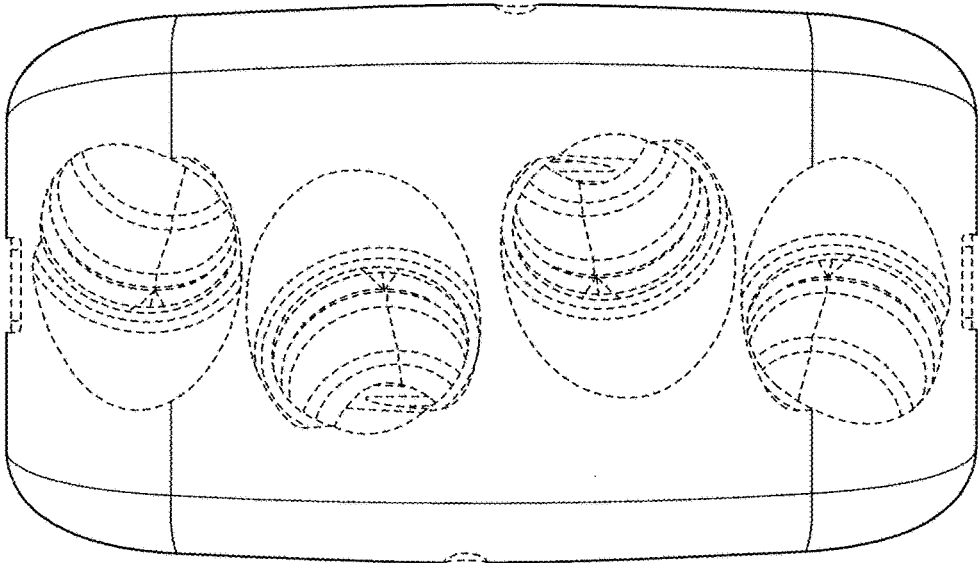


FIG. 16

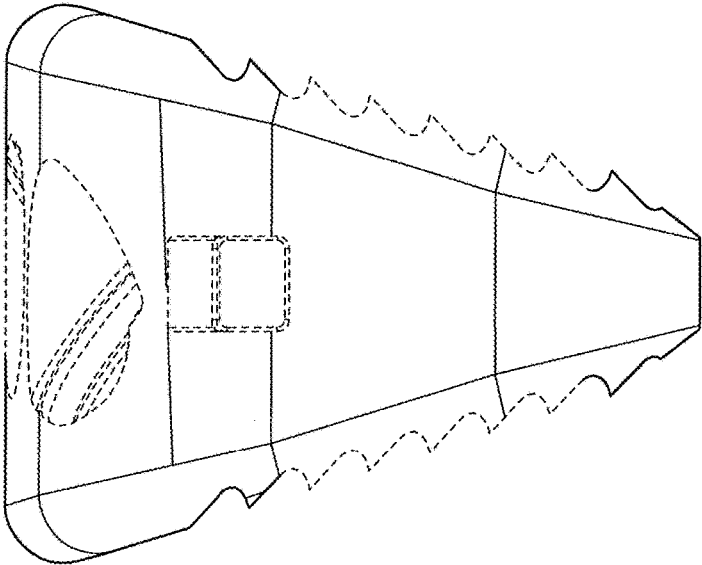


FIG. 17

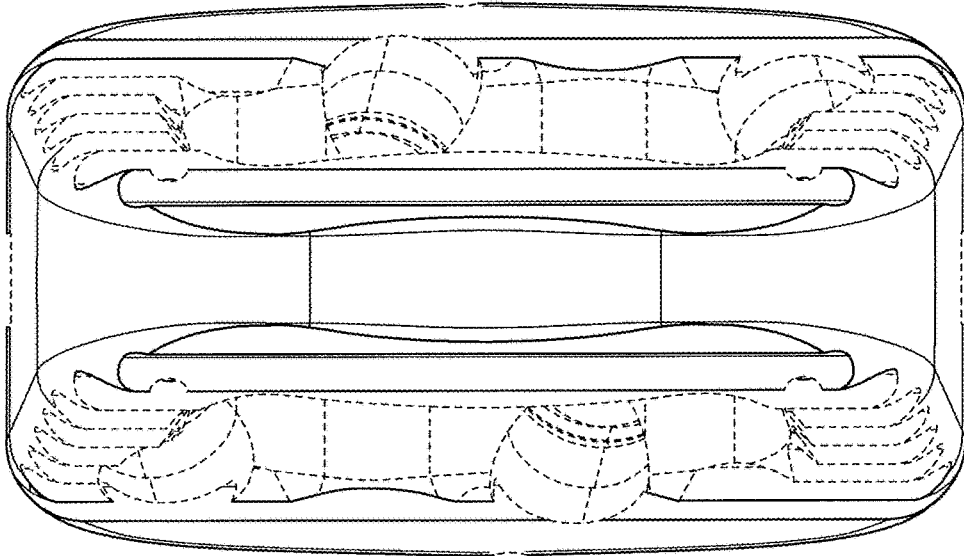


FIG. 18

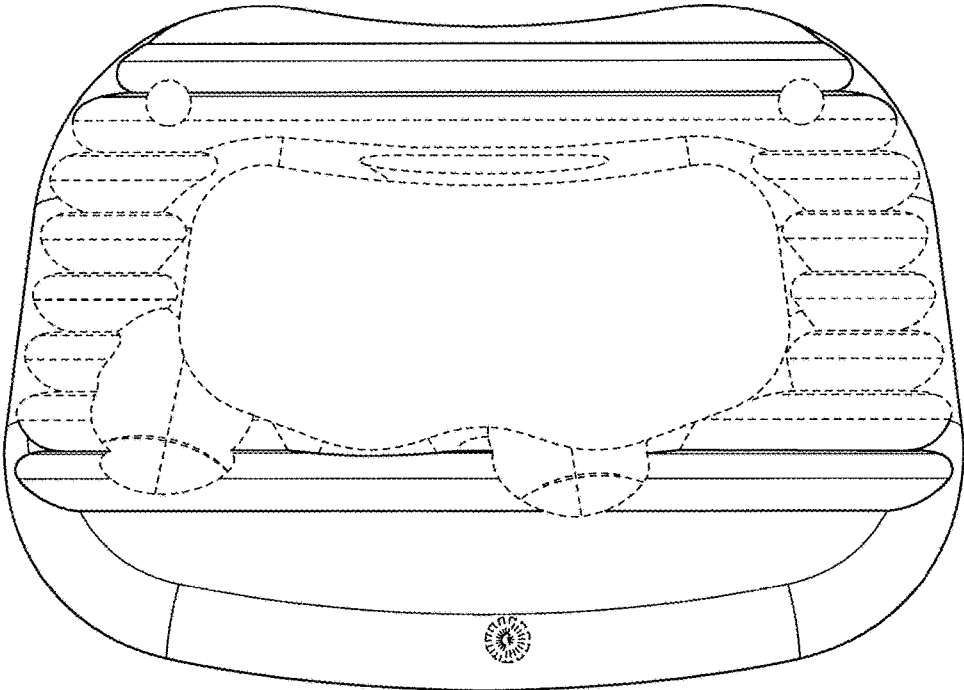


FIG. 19

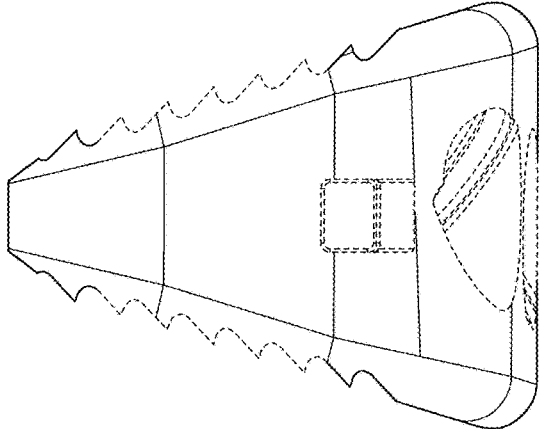


FIG. 20

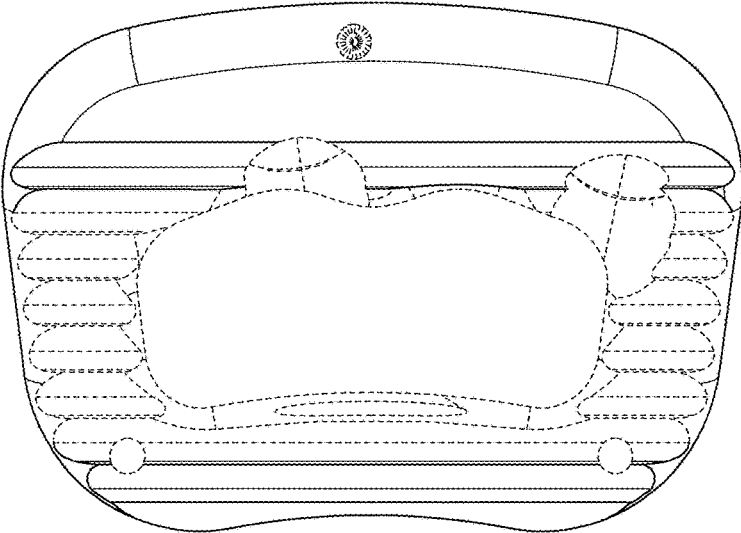


FIG. 21