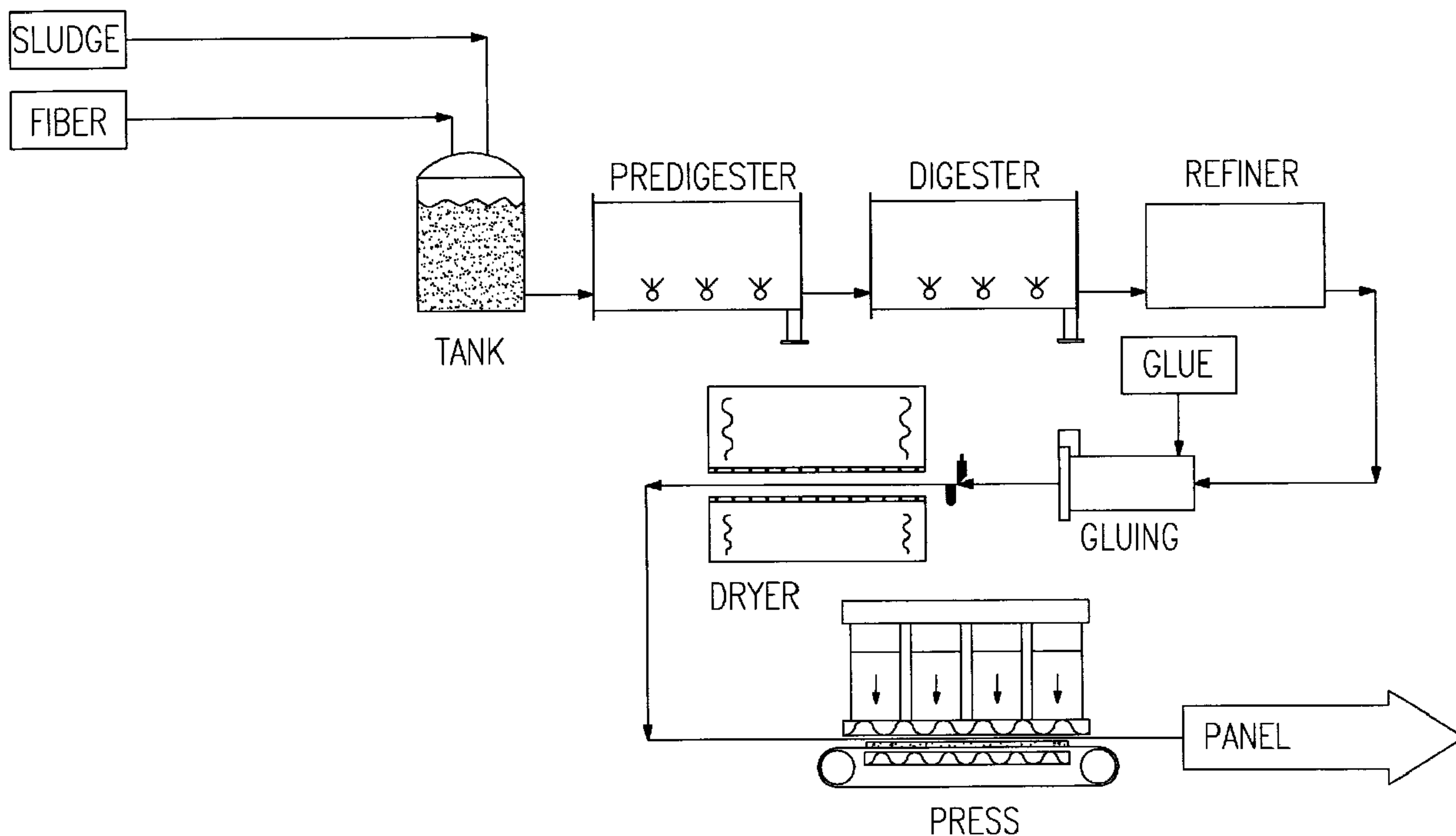




(86) Date de dépôt PCT/PCT Filing Date: 2007/08/17  
 (87) Date publication PCT/PCT Publication Date: 2008/02/21  
 (45) Date de délivrance/Issue Date: 2010/03/23  
 (85) Entrée phase nationale/National Entry: 2009/02/17  
 (86) N° demande PCT/PCT Application No.: CA 2007/001451  
 (87) N° publication PCT/PCT Publication No.: 2008/019507  
 (30) Priorité/Priority: 2006/08/18 (US60/822,852)

(51) Cl.Int./Int.Cl. *D21H 11/00* (2006.01),  
*B27N 1/02* (2006.01), *B27N 3/08* (2006.01),  
*D21C 9/02* (2006.01), *D21D 5/02* (2006.01),  
*D21H 21/36* (2006.01), *D21J 1/00* (2006.01)  
 (72) Inventeurs/Inventors:  
 CHAREST, YVES, CA;  
 VERVILLE, ANDRE, CA  
 (73) Propriétaires/Owners:  
 GROUPE CONSEIL PROCD INC., CA;  
 UNIBOARD CANADA INC., CA  
 (74) Agent: BERESKIN & PARR S.E.N.C.R.L., S.R.L

(54) Titre : PANNEAUX DE FIBRES, LEURS UTILISATIONS ET LEURS PROCÉDES DE PREPARATION  
 (54) Title: FIBERBOARDS, USES AND METHODS OF PREPARATION THEREOF



(57) Abrégé/Abstract:

There is provided a fiberboard, such as a MDF fiberboard or a HDF fiberboard, comprising wood fibers, a binder, and a sludge such as a pulp and a paper sludge. The sludge can be, for example, chosen from a primary pulp and paper sludge, a secondary pulp and paper sludge, a de-inking sludge, and mixtures thereof. It was found that by incorporating such a sludge in fiberboards and thus partially replacing wood fibers by sludge, it is possible to produce a fiberboard, at lower costs, which demonstrated characteristics and properties similar to a standard fiberboard. Processes and compositions used for preparing such fiberboards are also disclosed.

(12) INTERNATIONAL APPLICATION PUBLISHED UNDER THE PATENT COOPERATION TREATY (PCT)

(19) World Intellectual Property Organization  
International Bureau(43) International Publication Date  
21 February 2008 (21.02.2008)

PCT

(10) International Publication Number  
**WO 2008/019507 A1**

## (51) International Patent Classification:

*D21H 11/00* (2006.01)      *D21D 5/02* (2006.01)  
*B27N 1/02* (2006.01)      *D21H 21/36* (2006.01)  
*B27N 3/08* (2006.01)      *D21J 1/00* (2006.01)  
*D21C 9/02* (2006.01)

G2E 3Z4 (CA). **VERVILLE, André** [CA/CA]; 121 Pierre-Chasseur Street, Laval, Québec H7L 4A3 (CA).

## (21) International Application Number:

PCT/CA2007/001451

## (22) International Filing Date: 17 August 2007 (17.08.2007)

(25) Filing Language: English

(26) Publication Language: English

## (30) Priority Data:

60/822,852      18 August 2006 (18.08.2006)      US

(71) Applicants (for all designated States except US): **UNI-BOARD CANADA, INC.** [CA/CA]; Suite 500, 2540 Boul. Daniel-Johnson, Laval, Québec H7T 2S3 (CA). **GROUPE CONSEIL PROCD, INC.** [CA/CA]; Suite 205, 1400 Saint-Jean-Baptiste Avenue, Québec, Québec G2E 5B7 (CA).

## (72) Inventors; and

(75) Inventors/Applicants (for US only): **CHAREST, Yves** [CA/CA]; 931 Chapman Street, Ancienne-lorette, Québec(74) Agent: **BERESKIN & PARR**; Suite 4000, 40th Floor, 40 King Street West, Toronto, Ontario M5H 3Y2 (CA).

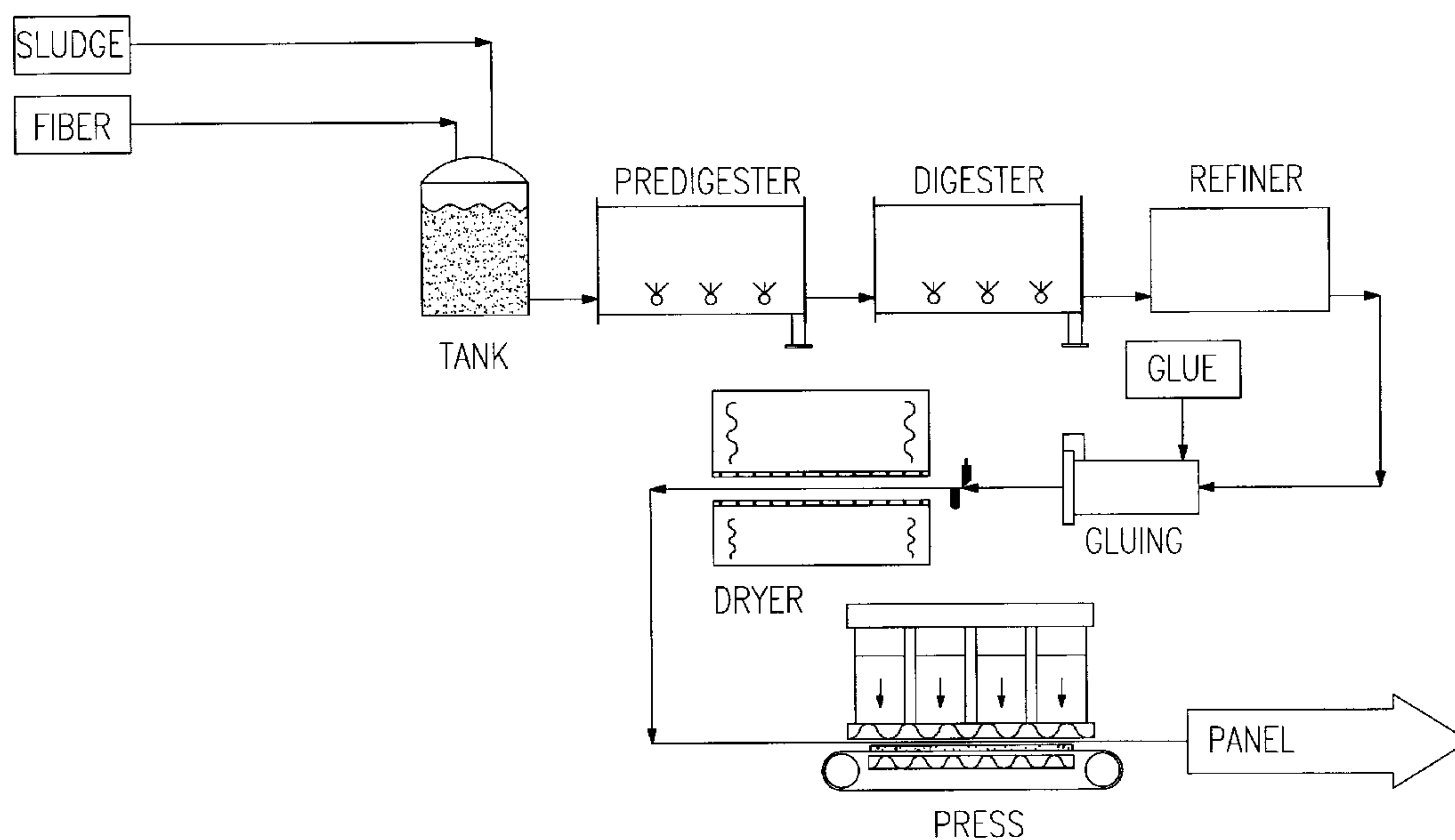
(81) Designated States (unless otherwise indicated, for every kind of national protection available): AE, AG, AL, AM, AT, AU, AZ, BA, BB, BG, BH, BR, BW, BY, BZ, CA, CH, CN, CO, CR, CU, CZ, DE, DK, DM, DO, DZ, EC, EE, EG, ES, FI, GB, GD, GE, GH, GM, GT, HN, HR, HU, ID, IL, IN, IS, JP, KE, KG, KM, KN, KP, KR, KZ, LA, LC, LK, LR, LS, LT, LU, LY, MA, MD, ME, MG, MK, MN, MW, MX, MY, MZ, NA, NG, NI, NO, NZ, OM, PG, PH, PL, PT, RO, RS, RU, SC, SD, SE, SG, SK, SL, SM, SV, SY, TJ, TM, TN, TR, TT, TZ, UA, UG, US, UZ, VC, VN, ZA, ZM, ZW.

(84) Designated States (unless otherwise indicated, for every kind of regional protection available): ARIPO (BW, GH, GM, KE, LS, MW, MZ, NA, SD, SL, SZ, TZ, UG, ZM, ZW), Eurasian (AM, AZ, BY, KG, KZ, MD, RU, TJ, TM), European (AT, BE, BG, CH, CY, CZ, DE, DK, EE, ES, FI, FR, GB, GR, HU, IE, IS, IT, LT, LU, LV, MC, MT, NL, PL, PT, RO, SE, SI, SK, TR), OAPI (BF, BJ, CF, CG, CI, CM, GA, GN, GQ, GW, ML, MR, NE, SN, TD, TG).

## Published:

— with international search report

## (54) Title: FIBERBOARDS, USES AND METHODS OF PREPARATION THEREOF



(57) Abstract: There is provided a fiberboard, such as a MDF fiberboard or a HDF fiberboard, comprising wood fibers, a binder, and a sludge such as a pulp and a paper sludge. The sludge can be, for example, chosen from a primary pulp and paper sludge, a secondary pulp and paper sludge, a de-inking sludge, and mixtures thereof. It was found that by incorporating such a sludge in fiberboards and thus partially replacing wood fibers by sludge, it is possible to produce a fiberboard, at lower costs, which demonstrated characteristics and properties similar to a standard fiberboard. Processes and compositions used for preparing such fiberboards are also disclosed.

WO 2008/019507 A1

## **FIBERBOARDS, USES AND METHODS OF PREPARATION THEREOF**

### **TECHNICAL FIELD**

The present invention relates to improvements in the field of fiberboards or wood panels. In particular, this invention relates to fiberboards that comprise a sludge such as a pulp and paper sludge. The sludge can be a primary pulp and paper sludge, a secondary pulp and paper sludge, a de-inking sludge, or mixtures thereof. The present invention also relates to processes and compositions for preparing such fiberboards that comprise one of the previously-mentioned sludges. For example, the fiberboards can be medium density fiberboards (MDF) or high density fiberboards (HDF).

### **BACKGROUND OF THE INVENTION**

It is nowadays a major concern to considerably reduce the emission of various pollutants in the environment. Moreover, there are presently a lot of concerns and social pressure put on waste rejection. The costs of land burial are high and the cost of fiber is increasing. There is an unbalance regarding supply and demand for woody material.

It would thus be highly desirable to be provided with a solution that would permit to obtain fiberboards or wood panels at lower costs and that would permit to reduce the amount of wood fibers used in the fiberboards or panels production.

### **SUMMARY OF THE INVENTION**

According to one aspect of the invention, there is provided a fiberboard comprising wood fibers; a binder; and a sludge such as a pulp and paper sludge. The sludge can be chosen from a primary pulp and paper sludge, a secondary pulp and paper sludge, a de-inking sludge, and mixtures thereof. The fiberboard can be a medium density fiberboard or a high density fiberboard.

According to another aspect of the invention, there is provided a fiberboard obtained by pressing a mixture comprising wood fibers; a binder; and a sludge such as a pulp and paper sludge. the sludge can be chosen from a primary pulp and paper sludge, a secondary pulp and paper sludge, a de-inking sludge, and mixtures thereof. the fiberboard can be a medium density fiberboard or a high density fiberboard.

According to another aspect of the invention, there is provided a process for preparing a medium density fiberboard or a high density fiberboard. The process comprises pressing a mixture comprising wood fibers; a binder; and a sludge such as a pulp and paper sludge, for example a sludge chosen from a primary pulp and paper sludge, a secondary pulp and paper sludge, a de-inking sludge, and mixtures thereof.

According to another aspect of the invention, there is provided a composition for use in the preparation of a medium density fiberboard or a high density fiberboard. The composition comprises wood fibers; and a sludge such as a pulp and paper sludge, for example a sludge chosen from a primary pulp and paper sludge, a secondary pulp and paper sludge, a de-inking sludge, and mixtures thereof.

According to another aspect of the invention, there is provided a composition for use in the preparation of a medium density fiberboard or a high density fiberboard. The composition comprises wood fibers; a binder; and a sludge such as a pulp and paper sludge, for example a sludge chosen from a primary pulp and paper sludge, a secondary pulp and paper sludge, a de-inking sludge, and mixtures thereof.

According to another aspect of the invention, there is provided a process for treating sludge, the process comprising screening a sludge such as a pulp and paper sludge, for example a sludge chosen from a primary pulp and paper sludge, a secondary pulp and paper sludge, a de-inking sludge, and mixtures thereof, and having a dryness of about 0.5 % to about 10 %, through a screen of 160  $\mu\text{m}$  or coarser in order to at least partially reduce the amount of ashes contained in the sludge.

According to another aspect of the invention, there is provided a process for treating sludge. The process comprises:

- screening a sludge such as a pulp and paper sludge, for example a sludge chosen from a primary pulp and paper sludge, a secondary pulp and paper sludge, a de-inking sludge, and mixtures thereof, and having a dryness of about 0.5 % to about 10 %, through a screen of 160  $\mu\text{m}$  or coarser; and
- washing the screened sludge.

According to another aspect of the invention, there is provided a process for treating sludge. The process comprises:

- screening a sludge such as a pulp and paper sludge, for example a sludge chosen from a primary pulp and paper sludge, a secondary pulp and paper sludge, a de-inking sludge, and mixtures thereof, and having a dryness of about 0.5 % to about 10 %, through a screen of 3500  $\mu\text{m}$  or coarser;
- treating the screened sludge with a desander so as to at least partially remove the sand contained therein;
- screening the desanded sludge through a screen of 160  $\mu\text{m}$  or coarser; and
- washing the screened sludge.

It was found that by incorporating such a sludge in fiberboards (for example MDF and/or HDF fiberboards) by partially replacing the wood fibers by sludge, it was possible to produce a fiberboard, at lower costs, which demonstrated characteristics and properties similar to a standard fiberboard. These types of sludge can thus decrease the raw material costs (wood fibers) and generate a gain on the specific energy applied since they are already refined. For the paper mills, such a technology is very interesting since it can considerably reduce or eliminate the costs associated with management of such sludge disposal, for example land burial.

The wood fibers can be virgin wood fibers, post-consumption wood fibers, or a mixture thereof.

The sludge can be present in the fiberboard in an amount of at least 1 %, at least 2 %, at least 5 %, at least 10 %, at least 20 %, or at least 30 %, by weight, based on the total dry weight of the fiberboard. Alternatively, the sludge can be present in the fiberboard in an amount of about 1 % to about 40 %, about 2 % to about 30 %, about 4 % to about 15 %, or about 5 % to about 10 %, based on the total dry weight of the fiberboard.

The sludge can be obtained from kraft pulping, mechanical pulping or thermomechanical pulping. The sludge can be a primary pulp and paper sludge. It can also be a mixture of primary pulp and paper sludge and a secondary pulp and paper sludge. The sludge can comprise about 50 to about 80 % of a primary pulp and paper sludge and about 50 to about 20 % of a secondary pulp and paper sludge, based on the total dry weight of the fiberboard. The sludge can be a substantially untreated primary sludge taken from a paper mill.

The sludge can have a silica content, which is less than 30 %, less than 20 %, less than 10 %, or less than 5 %, by weight, based on the total dry weight of the sludge.

Alternatively, the sludge can have a silica content which is about 1 % to about 30 %, or about 1.5 % to about 25 %, by weight, based on the total dry weight of the sludge. The sludge can have an ashes content, which is less than 30 %, less than 20 %, less than 10 %, less than 5 %, less than 2 %, less than 1 %, by weight, based on the total dry weight of the sludge. Alternatively, the ashes content can be about 0.25 % to about 30 %, about 0.5% to about 25 %, or about 1 % to about 15 %, by weight, based on the total dry weight of the sludge.

The mixture or composition used for preparing the fiberboards can be dried before being pressed. Before being pressed, the mixture can be dried so as to have a moisture content of less than 15 %, less than 12 %, or less than 10 %. Alternatively, the moisture content can be of about 7 % to

about 15 %, or about 8 % to about 12 %. The wood fibers, the binder and the sludge can be mixed together in order to obtain the mixture, before drying the mixture. The binder can be mixed with a composition comprising the wood fibers and the sludge in order to obtain the mixture, before drying the mixture. The wood fibers can be refined before being mixed with the binder and/or sludge. The wood fibers and the sludge can be mixed together and then refined before being mixed with the binder.

In the compositions of the present invention, the sludge can be present in an amount of at least 0.3 %, at least 0.5 %, at least 0.7 %, at least 1 %, at least 2 %, at least 5 %, at least 10 %, at least 20 %, or at least 30 % by weight, based on the total dry weight of the composition. Alternatively, the sludge can be present in the composition in an amount of about 1 % to about 40 %, about 2 % to about 30 %, about 3 % to about 20 %, about 4 % to about 15 %, or about 5 % to about 10 %, based on the total dry weight of the composition. The composition can comprise an antibacterial agent. The antibacterial agent can be present in the composition in an amount of at least 0.1%, or at least 0.5 % based on the total dry weight of the composition. The agent can also be present in an amount of about 0.1 % to about 1.0 %.

The fiberboards can have an internal bond strength of at least 0.35 N/mm<sup>2</sup>, at least 0.4 N/mm<sup>2</sup>, at least 0.65 N/mm<sup>2</sup>, at least 0.80 N/mm<sup>2</sup>, at least 1.30 N/mm<sup>2</sup>, at least 1.40 N/mm<sup>2</sup>, at least 1.50 N/mm<sup>2</sup>, at least 1.70 N/mm<sup>2</sup>, at least 1.80 N/mm<sup>2</sup>, at least 1.85 N/mm<sup>2</sup>, at least 1.90 N/mm<sup>2</sup>, or at least 1.95 N/mm<sup>2</sup>. Alternatively, the fiberboards can have an internal bond strength of about 0.35 N/mm<sup>2</sup> to about 1.95 N/mm<sup>2</sup>, about 1.3 N/mm<sup>2</sup> to about 1.98 N/mm<sup>2</sup>, about 1.4 N/mm<sup>2</sup> to about 1.95 N/mm<sup>2</sup>, about 1.45 N/mm<sup>2</sup> to about 1.85 N/mm<sup>2</sup> about, or about 0.40 N/mm<sup>2</sup> to about 1.1 N/mm<sup>2</sup>.

The fiberboards can be high density fiberboards having a density of at least 800 kg/m<sup>3</sup>, at least 825 kg/m<sup>3</sup>, at least 850 kg/m<sup>3</sup>, at least 875 kg/m<sup>3</sup>, or at least 900 kg/m<sup>3</sup>. Alternatively, the fiberboards can have a density of

about 800 kg/m<sup>3</sup> to about 1450 kg/m<sup>3</sup>, about 800 kg/m<sup>3</sup> to about 950 kg/m<sup>3</sup>, or about 850 kg/m<sup>3</sup> to about 950 kg/m<sup>3</sup>.

The fiberboards can be medium density fiberboards having a density of at least 500 kg/m<sup>3</sup>, at least 600 kg/m<sup>3</sup> or at least 735 kg/m<sup>3</sup>. Alternatively, the fiberboards can have a density of about 500 kg/m<sup>3</sup> to about 850 kg/m<sup>3</sup> or of about 600 kg/m<sup>3</sup> to about 800 kg/m<sup>3</sup>.

The binder can be, for example, chosen from formaldehyde-based resins, isocyanate-based resins, and mixtures thereof. The binder can also be a formaldehyde-based resin chosen from urea-formaldehyde resins, phenol-formaldehyde resins, melamine-urea-formaldehyde resins, and mixtures thereof. Alternatively, the binder can be polymethyldiisocyanate, a phenol-formaldehyde resin or an urea-formaldehyde resin.

The fiberboards can further comprise an antibacterial agent. The antibacterial agent can be present in the fiberboard in an amount of at least 0.1%, or at least 0.5 % based on the total dry weight of the fiberboard. Alternatively, the antibacterial agent can be present in the board in an amount of about 0.1 % to about 1.0 %. The antibacterial agent can be, for example, chosen from sodium hypochlorite, hydrogen peroxide, sodium benzoate, sodium azide, and mixtures thereof.

As previously indicated, the sludge can be treated before being used for preparing fiberboards. In fact, the sludge can be, before being passed through a screen of 160  $\mu\text{m}$  or coarser, being screened through a screen of 3500  $\mu\text{m}$  or coarser. The process can further comprises passing a water stream in a counter-current manner through the sludge so as to facilitate desanding the sludge. The sludge can be washed by maintaining its dryness at about 0.5 % to about 3.5 %. The sludge can be washed at least once with water having a temperature of about 40 °C to about 80 °C. The sludge can be agitated while being washed. The sludge before being screened, can be diluted with water having a temperature of at least 50 °C and it can then be agitated, thereby obtaining the solid content in solution of about 0.5 % to about 10 %.

The sludge can also be treated so as to selectively remove clay and/or fines of the type P200 from the sludge. The clay and/or fines, for example of the type P200, can be removed from the sludge by treating the sludge with a centrifugal strainer, a centrifugal screen, a pressure screen, or a pressure inclined-screen.

The sludge (treated or not) can be mixed with wood fibers so as to obtain a mixture and then, refining the mixture. The refined mixture can be mixed with a binder so as to obtain a composition. Such a composition can also be dried and then it can be compressed so as to obtain the desired fiberboards.

According to another embodiment of the present invention, there is provided in a medium density fiberboard or a high density fiberboard made by pressing a mixture comprising wood fibers and a resin, the improvement wherein at least a portion of the wood fibers are replaced with a sludge chosen from a primary pulp and paper sludge, a secondary pulp and paper sludge, a de-inking sludge, and mixtures thereof.

According to another embodiment of the present invention, there is provided in a medium density fiberboard or a high density fiberboard comprising wood fibers and a resin, the improvement wherein at least a portion of the wood fibers are replaced with recycled fibers obtained from a sludge chosen from a primary pulp and paper sludge, a secondary pulp and paper sludge, a de-inking sludge, and mixtures thereof.

### **BRIEF DESCRIPTION OF DRAWINGS**

In the following drawings, which represent by way of example only, some embodiments of the invention :

Fig. 1 is a schematic representation illustrating how are prepared fiberboards according to one aspect of the present invention;

Fig. 2 is schematic representation illustrating a process, according to another aspect of the present invention, for treating a sludge that requires some treatment before using it in the manufacture of fiberboards; and

Fig. 3 is schematic representation illustrating a process, according to another aspect of the present invention, for treating a sludge that requires some treatment before using it in the manufacture of fiberboards.

### **DETAILED DESCRIPTION OF PREFERRED EMBODIMENTS**

Further features and advantages of the invention will become more readily apparent from the following description of some embodiments as illustrated by way of examples only in the appended drawings wherein:

The following non-limiting examples further illustrate the invention.

#### **Examples**

In the present invention, the sludge used can be used as is, i.e. without requiring any treatment or purification. Alternatively, in some cases the sludge can be optionally treated before being used for the production of fiberboards. For example, the sludge can be treated in order to reduce and/or eliminate undesired odours, reduce and/or eliminate microorganisms, reduce and/or eliminate silica, reduce and/or eliminate fines.

When preparing fiberboards, the gluing step can be carried out at the same time or just after the refining step. In this case, sludge can be added before refiner(s). But if it is not the case, sludge can be added after refiner(s) if the sludge's parameters allow it. In accordance with the sludge source, they may contain coarse fibrous particulars, called shavings, which can be refined. Use of coarse sieves allow to withdraw these sludge particles to refine them with fibers. This has been tested with a sieves of 3540  $\mu\text{m}$  opening and then washed two times. Shavings can be withdrawn at first if grit removal is necessary.

As previously indicated, the sludge can be optionally treated before using it in the production of fiberboards. The following possibilities can thus be applied. If a treatment is necessary to decrease the ash content (which comprises silica) due to clay and/or sand, one of the three following methods can be used.

### **A. Screening of the sludge :**

This method comprises screening the sludge at a consistency of about 1 % to about 5 %. For example, a screen opening of 160  $\mu\text{m}$  can be used. This treatment allowed to decrease ash content from 27 % to 8.7 % on sludge. The filtrate was disposed.

### **B. Screening and rinsing the sludge**

Such a method is similar to the method schematically represented in Fig. 2. This method comprises screening the sludge at a consistency of about 1 to about 5 %. The sludge was rinsed with tap water few times. Better results were obtained with 2 rinses. For example, the screen opening used was 160  $\mu\text{m}$  (sieve). Efficiency was increased when sludge was diluted to consistency of about 1 % with hot water (60 °C) and agitated during 5 minutes. This treatment allowed to decrease ash content from 27 % to 0.7 % on sludge. The filtrate was disposed (reject). Fibers containing shavings were recovered.

### **C. Removing sand, rinsing and screening the sludge**

This method, which is similar to the method schematically represented in Fig. 3, comprises removing sand and bark from sludge using a desander. After sand removal, sludge is screened at an opening of 160  $\mu\text{m}$  (sieve) and then, rinsed with tap water few times. Very interesting results were obtained when rinsing 2 times. Such a step permits to efficiently remove interesting quantities of fines and clay. Optionally, before passing the sludge in the desander, it is possible to pass it into a coarse sieve (3500  $\mu\text{m}$  or coarser) in order to substantially remove shavings.

Alternatively, clay and fines could also be removed with a centrifugal, a pressurized screen, a pressurized inclined screen or by centrifugation.

Addition of an oxidative agent such as sodium hypochlorite at 0.5 % can be made so as to stabilize the sludge during at least 96 hours. Combined

to a bacteriostat agent, the period can be extended to 7 days. After having simulated thermal treatments, fresh sludge had a bacterial counting similar to standard MDF panel counting. It was shown that the addition of an oxidative agent was not necessary depending upon storage conditions.

Some results demonstrated that sodium hypochlorite at 0.1 % v/v of concentration has a bactericide effect on short term (48 hours). While at concentration at 0,2 % v/v, sodium hypochlorite allows sludge to keep for 7 days a bacterial counting lower than the factory raw material.

The results shown in Table 1 demonstrated that the amount of microorganisms is not higher in a sludge-containing panel as opposed to a standard panel. The Table 1 shows microbiological results for different steps in the panel production.

Table. 1

				Yeast and molds CFU/g	Totals coliforms CFU/g	E. coli CFU/g	Entéro-coccus CFU/g	HBAA Counting	Contaminants
Primary sludge	100%	#1	865	405	<3	81	11 300	- Bacillus positive GRAM, negative oxidase, positive catalase. - Filamentous negative GRAM, negative oxidase, positive catalase.	
		#2	250	280	<3	30	14 150		
After refiner	0%	#1	<10	<10	<10	<10	39 800	- Bacillus positive GRAM, negative oxidase, positive catalase.	
		#2	<10	<10	<10	<10	39 200		
	5%	#1	<10	<10	<10	<10	25 900	- Bacillus positive GRAM, negative oxidase, positive catalase.	
		#2	10	<10	<10	<10	23 900		
	10%	#1	<10	<10	<10	<10	7000	- Bacillus positive GRAM, negative oxidase, positive catalase.	
		#2	10	<10	<10	<10	9300		
At former	0%	#1	<10	<10	<10	<10	<10	None	
		#2	<10	<10	<10	<10	<10		
	5%	#1	<10	<10	<10	<10	<10	None	
		#2	<10	<10	<10	<10	<10		
	10%	#1	30	<10	<10	<10	<10	None	
		#2	<10	<10	<10	<10	<10		
Rough panel	0%	#1	10	<10	<10	<10	<10	None	
		#2	10	<10	<10	<10	<10		
	5%	#1	<10	<10	<10	<10	<10	None	
		#2	<10	<10	<10	<10	<10		
	10%	#1	10	<10	<10	<10	<10	None	
		#2	10	<10	<10	<10	<10		

HBAA = Heterotrophic bacteria aerobic and anaerobic facultative

It should be noted that in Table 1, primary sludge results correspond to CFU/g anhydrous on sludge. In all other cases, units are CFU/g humid. This explains detection threshold of 3 CFU/g for primary sludge and 10 CFU/g for all others.

In the following examples, which refer to the preparation of fiberboards, the latter have been characterized using standard methods such as:

Internal Bonds:	ASTM D1037-99
Surface bonds :	ASTM D1037-99
Modulus of Rupture (MOR):	ASTM D1037-99
Modulus of Elasticity (MOE) :	ASTM D1037-99
Stiffness :	ASTM D1037-99
Thickness Swelling:	ASTM D1037-99
Thickness Edge Swelling:	EN 13329-2000

### Example 1

A process as shown in Fig. 1 was carried out in order to produce panels or fiberboards. Fig. 1 thus schematically represents the process that was carried out. The sludge used came from a pulp and paper factory, which produces newspaper with thermomechanic pulp without addition of clay. Primary and secondary sludges were mixed before being pressed. Primary sludge represents 63 % and secondary sludge 37 %. Sludges contained 74 % of water. No treatment and no biocide have been done on sludge.

The sludge was mixed with wood fibers in a half and half proportion (anhydrous weight) before being stored in a silo. The wood fibers content was about 50 % hardwood and 50 % softwood. Sludge proportion injected in the process was dosed with metering screws. Sludge incorporation tests were at 5 % and 10 % by weight, based on the total dry weight of the fiberboard.

Sludge and fibers were stepped forward to the predigester and the digester. Then, they were refined. During the test, specific energy of the refiner drop-off from 348 kW/T to 276 kW/T.

A mixture comprising the fibers, the sludge, an urea-formaldehyde resin (16 % by weight based on the dry weight of the wood fibers), a stoichiometric excess of urea (0.9 % by weight based on the dry weight of the wood fibers), and wax/paraffin (1 % by weight based on the dry weight of the wood fibers) was stepped forward to the former (inlet of the press) and finally, through the continuous press (Siempelkamp™). The so-formed products were HDF panels having a 6.6 mm thickness and a density of 900 kg/m<sup>3</sup>. Fiber pH increased from 5.23 to 5.34 during sludge insertion of 5 %.

Internal bonds strength was 1.91 N/mm<sup>2</sup> for the control panel, 1.81 N/m<sup>2</sup> for the panels with a sludge content of 5 % and 1.64 N/mm<sup>2</sup> for the panels having a sludge content of 10 %.

### Example 2

This example was also carried out as shown in Fig. 1. The sludge used came from a pulp and paper factory which produces newspaper with thermomechanic pulp without addition of clay. Only primary sludge was used. The sludge contained 73 % of water. No treatment and no biocide have been done on sludge.

The sludge was mixed with wood fibers in a half and half proportion (anhydrous weight) before being stored in a silo. The wood fibers content was about 40 % hardwood and 60 % softwood. The sludge proportion injected in the process was dosed with metering screws. Sludge incorporation tests were at 5.7 % and 10 % by weight, based on the total dry weight of the fiberboard of the final mixture. Sludge and fibers are stepped forward to the predigester and the digester. After, they were refined. During the test, specific energy of the refiner was constant.

Fiber and sludge were stepped forward to the former ((inlet of the press) and into the continuous press. The product was HDF panels of 6.6 mm thickness and a density of 900 kg/m<sup>3</sup>. Average length of fiber only was 0.726 mm and sludge only was 0.583 mm. During the test, the average length of

mixture with sludge content of 5.7 % was 0.686 mm and was 0.688 mm for mixture with sludge content of 10 %. Table 2 represents results obtained for rough panel and Table 3 represents results obtained for sanded panels. The test duration was 3 hours.

Table 2

Panel	Average internal bonds strength (N/mm <sup>2</sup> )	Average density (kg/m <sup>3</sup> )	Average surface density (kg/m <sup>3</sup> )	Minimal core density (kg/m <sup>3</sup> )	Press speed (mm/sec)	Mat moisture (%)
Control	1.968	930	1 118	870	285	9.0
5.7 % of sludge	1.972	911	1 119	824	285	9.0
10 % of sludge	1.903	935	1 153	865	285	9.2

Table 3

Panel	Average internal bonds strength (N/mm <sup>2</sup> )	Average density (kg/m <sup>3</sup> )	Average surface density(kg/m <sup>3</sup> )	Minimal core density (kg/m <sup>3</sup> )	Average MOR (N/mm <sup>2</sup> )	Average MOE (N/mm <sup>2</sup> )	Edge swelling (%)	Heaving ASTM (%)	Water absorption (%)	Hardness
Control	2.063	882	1 088	818	48	5 133.0	16.46	9,58	12,01	9 757
5,7 % of sludge	1.849	879	1 090	820	38	4291.0	17.12	9,17	11,85	9 814
10 % of sludge	1.503	882	1 117	837	43	4 885.0	16.67	9,49	12,74	9 320

### Example 3

Example 3, was carried out in a similar manner as shown in Fig. 1. The sludge used came from a pulp and paper factory which produces newspaper with thermomechanic pulp without addition of clay. Primary sludge only was used. Sludges contained 70 % of water. No treatment and no biocide have been done on sludge.

In the panel factory, the sludge was mixed with wood fibers in proportion of half and half (anhydrous weight) before being stored in a silo. The wood fibers content was about 20 % hardwood and 80 % softwood. Sludge proportion injected in the process was dosed with metering screws. Sludge incorporation tests was 6 % by weight, based on the total dry weight of the fiberboard. Sludge and fibers were stepped forward to the predigester and the digester. After, they were refined.

Fiber and sludge were stepped forward to the former (inlet of the press) and finally, into the continuous press. The product was HDF panels of 7.6 mm thickness and a density of 850 kg/m<sup>3</sup>. Large amount of water contained in sludge forced to slow down press speed from 310 mm/s to 265 mm/s during the test. The temperature of air dryer was increased of 10 °C. Average length of sludge fiber was 0.578 mm and 0.616 mm for fiber only. Table 4 represents results obtained for rough panels and Table 5 represents results obtained for sanded panel.

Table 4

Panel	Average internal bonds strength (N/mm <sup>2</sup> )	Average density (kg/m <sup>3</sup> )	Average surface density (kg/m <sup>3</sup> )	Minimal core density (kg/m <sup>3</sup> )	Press speed (mm/sec)	Mat moisture (%)
Control	1.450	849	1 067	753	303	9.4
6,0 % of sludge	1.582	851	1 133	734	298	9.4
Specifica-tion	min 1.400	850 ± 5 %	min 1 075	min 730	280	8.5 – 10.5

Table 5

Panel	Average internal bonds strength (N/mm <sup>2</sup> )	Average density (kg/m <sup>3</sup> )	Average surface density (kg/m <sup>3</sup> )	Minimal core density (kg/m <sup>3</sup> )	Average MOR (N/mm <sup>2</sup> )	Average MOE (N/mm <sup>2</sup> )	Edge swelling (%)	Heaving ASTM (%)	Water absorption (%)	Hardness	Silicate content (%)
Control	1.716	856	1 125	737	44.4	5255.6	15.55	7.66	11.85	-	0.041
6.0 % of sludge	1.597	851	1 125	742	49.5	5733.3	14.56	7.29	12.102	-	0.0586
Specification	min 1.400	850 ± 5 %	min 1 075	min 730	min 38	min 4 500	max 16	max 8	-	-	-

As it can be seen from Tables 2 to 5, it was clearly demonstrated that the obtained fiberboards have properties which are substantially the same than conventional fiberboards (control). In fact, the values obtained for the various parameters tested in Tables 2 to 5 are substantially the same for fiberboards which include the sludge and for the conventional fiberboards.

In view of Examples 1 to 3 related to HDF fiberboards, the person skilled in the art would clearly understand how to prepare MDF fiberboards. In fact, it is well known in the present art that one the main differences between preparation of HDF and MDF reside in the pressure applied to the fiberboards i.e. HDF fiberboards require more pressure since they have a higher density. The person skilled in the art would also understand that various parameters will be modified depending on the final desired characteristics of the produced fiberboards.

#### **Example 4**

In Example 4, a sludge having a water content of 95.17 % and ash content of 25,6 % (combustion ash at 525 °C) was used. It was a primary sludge only and this sludge came from a thermomechanical process.

The process carried out in Example 4, was similar to the process schematically represented in Fig. 2. The sludge was diluted to 1 % solid weight, vigorously stirred during 5 minutes, screened with an opening of 3.6 mm and rinsed twice. After, having vigorously stirred the filtrate during 5 minutes, it was screened through openings of 160  $\mu\text{m}$  and rinse twice. The screen with openings of 3.6 mm holded 9.8 % of the solute. These shavings had an ash content of 1 %. The screen with an opening of 160  $\mu\text{m}$  holded 53 % of solid. These fibers had an ash content of 13.5 %. This high value was partially caused by sand. The treated sludge was then ready to be used in the preparation of fiberboards.

### Example 5

In Example 5, the sludge used was the same than in Example 4. The process carried out in Example 5, was similar to the one schematically represented in Fig. 3. The sludge was diluted to 1 % solid weight, vigorously stirred during 5 minutes, screened through openings of 3.6 mm (coarse sieve) and rinsed twice. The shavings (removed) represented 7.6 % of solid. They were characterized by 1.21 % of ash content. After the filtrate was vigorously stirred during 5 minutes and the sand was removed with a desander. The reject was sand and small bark particles. They represent 7.19 % of solid weight with an ash content of 1.1 %. The supernatant was screened with openings of 160  $\mu\text{m}$  (sieve) and then, rinsed twice. The retentate was 37.4 g of solid with a ash content of 11.5 %. The treated sludge was then ready to be used in the preparation of fiberboards.

While the invention has been described in connection with specific embodiments thereof, it will be understood that it is capable of further modifications and this application is intended to cover any variations, uses, or adaptations of the invention following, in general, the principles of the invention and including such departures from the present disclosure as come within known or customary practice within the art to which the invention pertains and as may be applied to the essential features hereinbefore set forth, and as follows in the scope of the appended claims.

**WHAT IS CLAIMED IS:**

1. A fiberboard comprising:
  - wood fibers;
  - a binder;
  - a sludge chosen from a primary pulp and paper sludge, a secondary pulp and paper sludge, and a mixture thereof,wherein said fiberboard is a medium density fiberboard or a high density fiberboard.
2. A fiberboard comprising:
  - wood fibers;
  - a binder; and
  - a pulp and paper sludge,wherein said fiberboard is a medium density fiberboard or a high density fiberboard and has an internal bond strength of at least 0.35 N/mm<sup>2</sup>.
3. The fiberboard of claim 1 or 2, wherein said wood fibers are virgin wood fibers, post-consumption wood fibers, or a mixture thereof.
4. The fiberboard of claim 1 or 2, wherein said sludge is present in said fiberboard in an amount of at least 1 % by weight, based on the total dry weight of the fiberboard.
5. The fiberboard of claim 1 or 2, wherein said sludge is present in said fiberboard in an amount of at least 2 % by weight, based on the total dry weight of the fiberboard.
6. The fiberboard of claim 1 or 2, wherein said sludge is present in said fiberboard in an amount of at least 5 % by weight, based on the total dry weight of the fiberboard.

7. The fiberboard of claim 1 or 2, wherein said sludge is present in said fiberboard in an amount of at least 10 % by weight, based on the total dry weight of the fiberboard.
8. The fiberboard of claim 1 or 2, wherein said sludge is present in said fiberboard in an amount of at least 20 % by weight, based on the total dry weight of the fiberboard.
9. The fiberboard of claim 1 or 2, wherein said sludge is present in said fiberboard in an amount of at least 30 % by weight, based on the total dry weight of the fiberboard.
10. The fiberboard of claim 1 or 2, wherein said sludge is present in said fiberboard in an amount of 1 % to 40 %, based on the total dry weight of the fiberboard.
11. The fiberboard of claim 1 or 2, wherein said sludge is present in said fiberboard in an amount of 1 % to 20 %, based on the total dry weight of the fiberboard.
12. The fiberboard of claim 1 or 2, wherein said sludge is present in said fiberboard in an amount of 1 % to 15 %, based on the total dry weight of the fiberboard.
13. The fiberboard of claim 1 or 2, wherein said sludge is present in said fiberboard in an amount of 1 % to 10 %, based on the total dry weight of the fiberboard.
14. The fiberboard of claim 1 or 2, wherein said sludge is present in said fiberboard in an amount of 2 % to 30 %, based on the total dry weight of the fiberboard.
15. The fiberboard of claim 1 or 2, wherein said sludge is present in said fiberboard in an amount of 3 % to 20 %, based on the total dry weight of the fiberboard.

16. The fiberboard of claim 1 or 2, wherein said sludge is present in said fiberboard in an amount of 4 % to 15 %, based on the total dry weight of the fiberboard.
17. The fiberboard of claim 1 or 2, wherein said sludge is present in said fiberboard in an amount of 5 % to 10 %, based on the total dry weight of the fiberboard.
18. The fiberboard of claim 2, wherein said sludge is obtained from mechanical pulping.
19. The fiberboard of any one of claims 1 to 18, wherein said sludge is a primary pulp and paper sludge.
20. The fiberboard of any one of claims 1 to 18, wherein said sludge is a mixture of primary pulp and paper sludge and a secondary pulp and paper sludge.
21. The fiberboard of claim 2, wherein said sludge is chosen from a primary pulp and paper sludge, a secondary pulp and paper sludge, a de-inking sludge, and mixtures thereof.
22. The fiberboard of claim 2, wherein said sludge is a substantially untreated primary sludge taken as is from a paper mill.
23. The fiberboard of any one of claims 1 to 17 wherein said sludge comprises 50 to 80 % of a primary pulp and paper sludge and 50 to 20 % of a secondary pulp and paper sludge, based on the total dry weight of the fiberboard.
24. The fiberboard of any one of claims 1 to 23, wherein said sludge has a silica content which is less than 30 % by weight, based on the total dry weight of the sludge.
25. The fiberboard of any one of claims 1 to 23, wherein said sludge has a silica content which is less than 20 % by weight, based on the total dry weight of the sludge.

26. The fiberboard of any one of claims 1 to 23, wherein said sludge has a silica content which is less than 10 % by weight, based on the total dry weight of the sludge.
27. The fiberboard of any one of claims 1 to 23, wherein said sludge has a silica content which is less than 5 % by weight, based on the total dry weight of the sludge.
28. The fiberboard of any one of claims 1 to 23, wherein said sludge has a silica content which is 1 % to 30 % by weight, based on the total dry weight of the sludge.
29. The fiberboard of any one of claims 1 to 23, wherein said sludge has a silica content which is 1.5 % to 25 % by weight, based on the total dry weight of the sludge.
30. The fiberboard of any one of claims 1 to 29, wherein said sludge has an ashes content which is less than 30 % by weight, based on the total dry weight of the sludge.
31. The fiberboard of any one of claims 1 to 29, wherein said sludge has an ashes content which is less than 20 % by weight, based on the total dry weight of the sludge.
32. The fiberboard of any one of claims 1 to 29, wherein said sludge has an ashes content which is less than 10 % by weight, based on the total dry weight of the sludge.
33. The fiberboard of any one of claims 1 to 29, wherein said sludge has an ashes content which is less than 5 % by weight, based on the total dry weight of the sludge.
34. The fiberboard of any one of claims 1 to 29, wherein said sludge has an ashes content which is less than 2 % by weight, based on the total dry weight of the sludge.

35. The fiberboard of any one of claims 1 to 29, wherein said sludge has an ashes content which is less than 1 % by weight, based on the total dry weight of the sludge.
36. The fiberboard of any one of claims 1 to 29, wherein said sludge has an ashes content which is 0.25 % to 30 % by weight, based on the total dry weight of the sludge.
37. The fiberboard of any one of claims 1 to 29, wherein said sludge has an ashes content which is 0.5 % to 25 % by weight, based on the total dry weight of the sludge.
38. The fiberboard of any one of claims 1 to 29, wherein said sludge has an ashes content which is 1 % to 15 % by weight, based on the total dry weight of the sludge.
39. The fiberboard of claim 1, wherein said fiberboard has an internal bond strength of at least 0.35 N/mm<sup>2</sup>.
40. The fiberboard of any one of claims 1 to 39, wherein said fiberboard has an internal bond strength of at least 0.40 N/mm<sup>2</sup>.
41. The fiberboard of any one of claims 1 to 39, wherein said fiberboard has an internal bond strength of at least 0.65 N/mm<sup>2</sup>.
42. The fiberboard of any one of claims 1 to 39, wherein said fiberboard has an internal bond strength of at least 0.80 N/mm<sup>2</sup>.
43. The fiberboard of any one of claims 1 to 39, wherein said fiberboard has an internal bond strength of at least 1.30 N/mm<sup>2</sup>.
44. The fiberboard of any one of claims 1 to 39, wherein said fiberboard has an internal bond strength of at least 1.70 N/mm<sup>2</sup>.
45. The fiberboard of any one of claims 1 to 39, wherein said fiberboard has an internal bond strength of at least 1.80 N/mm<sup>2</sup>.

46. The fiberboard of claim 1, wherein said fiberboard has an internal bond strength of  $0.35 \text{ N/mm}^2$  to  $1.95 \text{ N/mm}^2$ .
47. The fiberboard of any one of claims 1 to 39, wherein said fiberboard has an internal bond strength of  $1.40 \text{ N/mm}^2$  to  $1.85 \text{ N/mm}^2$ .
48. The fiberboard of any one of claims 1 to 39, wherein said fiberboard is a medium density fiberboard and it has an internal bond strength of  $0.40 \text{ N/mm}^2$  to  $1.1 \text{ N/mm}^2$ .
49. The fiberboard of any one of claims 1 to 39, wherein said fiberboard is a high density fiberboard and it has an internal bond strength of  $1.3 \text{ N/mm}^2$  to  $1.98 \text{ N/mm}^2$ .
50. The fiberboard of any one of claims 1 to 39, wherein said fiberboard is a high density fiberboard.
51. The fiberboard of any one of claims 1 to 39, wherein said fiberboard is a medium density fiberboard.
52. The fiberboard of any one of claims 1 to 39, wherein said fiberboard is a high density fiberboard having a density of at least  $800 \text{ kg/m}^3$ .
53. The fiberboard of any one of claims 1 to 39, wherein said fiberboard is a high density fiberboard having a density of at least  $850 \text{ kg/m}^3$ .
54. The fiberboard of any one of claims 1 to 39, wherein said fiberboard is a high density fiberboard having a density of at least  $875 \text{ kg/m}^3$ .
55. The fiberboard of any one of claims 1 to 39, wherein said fiberboard is a high density fiberboard having a density of at least  $900 \text{ kg/m}^3$ .
56. The fiberboard of any one of claims 1 to 39, wherein said fiberboard is a high density fiberboard having a density of  $800 \text{ kg/m}^3$  to  $1450 \text{ kg/m}^3$ .
57. The fiberboard of any one of claims 1 to 39, wherein said fiberboard is a high density fiberboard having a density of  $800 \text{ kg/m}^3$  to  $950 \text{ kg/m}^3$ .

58. The fiberboard of any one of claims 1 to 39, wherein said fiberboard is a medium density fiberboard having a density of at least 500 kg/m<sup>3</sup>.
59. The fiberboard of any one of claims 1 to 39, wherein said fiberboard is a medium density fiberboard having a density of at least 735 kg/m<sup>3</sup>.
60. The fiberboard of any one of claims 1 to 39, wherein said fiberboard is a medium density fiberboard having a density of 500 kg/m<sup>3</sup> to 800 kg/m<sup>3</sup>.
61. The fiberboard of any one of claims 1 to 60, wherein said binder is chosen from formaldehyde-based resins, isocyanate-based resins, and mixtures thereof.
62. The fiberboard of any one of claims 1 to 60, wherein said binder is a formaldehyde-based resin chosen from urea-formaldehyde resins, phenol-formaldehyde resins, melamine-urea-formaldehyde resins, and mixtures thereof.
63. The fiberboard of any one of claims 1 to 60, wherein said binder is polymethyldiisocyanate.
64. The fiberboard of any one of claims 1 to 60, wherein said binder is a phenol-formaldehyde resin or an urea-formaldehyde resin.
65. The fiberboard of any one of claims 1 to 60, wherein said fiberboard further comprises an antibacterial agent.
66. The fiberboard of claim 65, wherein said antibacterial agent is present in said fiberboard in an amount of at least 0.1%, based on the total dry weight of the fiberboard.
67. The fiberboard of claim 65, wherein said antibacterial agent is present in said board in an amount of at least 0.5%, based on the total dry weight of the fiberboard.

68. The fiberboard of any one of claims 65 to 67, wherein said antibacterial agent is chosen from sodium hypochlorite, hydrogen peroxide, sodium benzoate, sodium azide, and mixtures thereof.
69. The fiberboard of any one of claims 1 to 3, 11 to 13, and 15 to 17, wherein said fiberboard has substantially the same properties than a standard fiberboard.
70. In a medium density fiberboard or a high density fiberboard made by pressing a mixture comprising wood fibers and a resin, the improvement wherein at least a portion of the wood fibers are replaced with a sludge chosen from a primary pulp and paper sludge, a secondary pulp, and a mixture thereof.
71. In a medium density fiberboard or a high density fiberboard comprising wood fibers and a resin, the improvement wherein at least a portion of the wood fibers are replaced with recycled and refined fibers obtained from a sludge chosen from a primary pulp and paper sludge, a secondary pulp and paper sludge, and a mixture thereof.
72. A process for preparing a medium density fiberboard or a high density fiberboard comprising pressing a mixture comprising:
- wood fibers;
  - a binder; and
  - a sludge chosen from a primary pulp and paper sludge, a secondary pulp and paper sludge, and a mixture thereof.
73. A composition for use in the preparation of a fiberboard, said composition comprising:
- wood fibers; and
  - a sludge chosen from a primary pulp and paper sludge, a secondary pulp and paper sludge, and a mixture thereof.
74. A composition for use in the preparation of a fiberboard, said composition comprising

- wood fibers;
  - a binder; and
  - a sludge chosen from a primary pulp and paper sludge, a secondary pulp and paper sludge, and a mixture thereof.
75. The composition of claim 73 or 74, wherein said wood fibers are virgin wood fibers, post-consumption wood fibers, or a mixture thereof.
76. The composition of any one of claims 73 to 75, wherein said sludge is present in said composition in an amount of at least 1 % by weight, based on the total dry weight of the composition.
77. The composition of any one of claims 73 to 75, wherein said sludge is present in said composition in an amount of at least 2 % by weight, based on the total dry weight of the composition.
78. The composition of any one of claims 73 to 75, wherein said sludge is present in said composition in an amount of at least 5 % by weight, based on the total dry weight of the composition.
79. The composition of any one of claims 73 to 75, wherein said sludge is present in said composition in an amount of at least 10 % by weight, based on the total dry weight of the composition.
80. The composition of any one of claims 73 to 75, wherein said sludge is present in said composition in an amount of at least 20 % by weight, based on the total dry weight of the composition.
81. The composition of any one of claims 73 to 75, wherein said sludge is present in said composition in an amount of at least 30 % by weight, based on the total dry weight of the composition.
82. The composition of any one of claims 73 to 75, wherein said sludge is present in said composition in an amount of 1 % to 40 %, based on the total dry weight of the composition.

83. The composition of any one of claims 73 to 75, wherein said sludge is present in said composition in an amount of 1 % to 20 %, based on the total dry weight of the composition.
84. The composition of any one of claims 73 to 75, wherein said sludge is present in said composition in an amount of 1 % to 15 %, based on the total dry weight of the composition.
85. The composition of any one of claims 73 to 75, wherein said sludge is present in said composition in an amount of 1 % to 10 %, based on the total dry weight of the composition.
86. The composition of any one of claims 73 to 75, wherein said sludge is present in said composition in an amount of 2 % to 30 %, based on the total dry weight of the composition.
87. The composition of any one of claims 73 to 75, wherein said sludge is present in said composition in an amount of 3 % to 20 %, based on the total dry weight of the composition.
88. The composition of any one of claims 73 to 75, wherein said sludge is present in said composition in an amount of 4 % to 15 %, based on the total dry weight of the composition.
89. The composition of any one of claims 73 to 75, wherein said sludge is present in said composition in an amount of 5 % to 10 %, based on the total dry weight of the composition.
90. The composition of any one of claims 73 to 89, wherein said sludge is a secondary pulp and paper sludge.
91. The composition of any one of claims 73 to 89, wherein said sludge is a primary pulp and paper sludge.
92. The composition of any one of claims 73 to 89, wherein said sludge is a mixture of primary pulp and paper sludge and a secondary pulp and paper sludge.

93. The composition of any one of claims 73 to 89, wherein said sludge is a substantially untreated primary sludge taken as is from a paper mill.
94. The composition of any one of claims 73 to 89, wherein said sludge is a treated primary sludge.
95. The composition of any one of claims 73 to 89, wherein said sludge comprises 50 to 80 % of a primary pulp and paper sludge and 50 to 20 % of a secondary pulp and paper sludge, based on the total dry weight of the composition.
96. The composition of any one of claims 73 to 95, wherein said sludge has a silica content which is less than 30 % by weight, based on the total dry weight of the sludge.
97. The composition of any one of claims 73 to 95, wherein said sludge has a silica content which is less than 20 % by weight, based on the total dry weight of the sludge.
98. The composition of any one of claims 73 to 95, wherein said sludge has a silica content which is less than 10 % by weight, based on the total dry weight of the sludge.
99. The composition of any one of claims 73 to 95, wherein said sludge has a silica content which is less than 5 % by weight, based on the total dry weight of the sludge.
100. The composition of any one of claims 73 to 95, wherein said sludge has a silica content which is 1 % to 30 % by weight, based on the total dry weight of the sludge.
101. The composition of any one of claims 73 to 95, wherein said sludge has a silica content which is 1.5 % to 25 % by weight, based on the total dry weight of the sludge.

102. The composition of any one of claims 73 to 101, wherein said sludge has an ashes content which is less than 30 % by weight, based on the total dry weight of the sludge.
103. The composition of any one of claims 73 to 101, wherein said sludge has an ashes content which is less than 20 % by weight, based on the total dry weight of the sludge.
104. The composition of any one of claims 73 to 101, wherein said sludge has an ashes content which is less than 10 % by weight, based on the total dry weight of the sludge.
105. The composition of any one of claims 73 to 101, wherein said sludge has an ashes content which is less than 5 % by weight, based on the total dry weight of the sludge.
106. The composition of any one of claims 73 to 101, wherein said sludge has an ashes content which is less than 2 % by weight, based on the total dry weight of the sludge.
107. The composition of any one of claims 73 to 101, wherein said sludge has an ashes content which is less than 1 % by weight, based on the total dry weight of the sludge.
108. The composition of any one of claims 73 to 101, wherein said sludge has an ashes content which is 0.25 % to 30 % by weight, based on the total dry weight of the sludge.
109. The composition of any one of claims 73 to 101, wherein said sludge has an ashes content which is 0.5 % to 25 % by weight, based on the total dry weight of the sludge.
110. The composition of any one of claims 73 to 101, wherein said sludge has an ashes content which is 1 % to 15 % by weight, based on the total dry weight of the sludge.

111. The composition of any one of claims 73 to 110, wherein said binder is chosen from formaldehyde-based resins, isocyanate-based resins, and mixtures thereof.
112. The composition of any one of claims 73 to 110, wherein said binder is a formaldehyde-based resin chosen from urea-formaldehyde resins, phenol-formaldehyde resins, melamine-urea-formaldehyde resins, and mixtures thereof.
113. The composition of any one of claims 73 to 110, wherein said binder is polymethyldiisocyanate.
114. The composition of any one of claims 73 to 110, wherein said binder is a phenol-formaldehyde resin or an urea-formaldehyde resin.
115. The composition of any one of claims 73 to 114, wherein said composition further comprises an antibacterial agent.
116. The composition of claim 115, wherein said antibacterial agent is present in said composition in an amount of at least 0.1%, based on the total dry weight of the composition.
117. The composition of claim 115, wherein said antibacterial agent is present in said composition in an amount of at least 0.5%, based on the total dry weight of the composition.
118. The composition of claim 115, wherein said antibacterial agent is present in said composition in an amount of 0.1 % to 1.0 %.
119. The composition of any one of claims 115 to 118, wherein said antibacterial agent is chosen from sodium hypochlorite, hydrogen peroxide, sodium benzoate, sodium azide, and mixtures thereof.
120. The composition of any one of claims 73 to 119, wherein said sludge is chosen from a primary pulp and paper sludge, a secondary pulp and paper sludge, a de-inking sludge, and mixtures thereof.

121. The composition of any one of claims 73 to 120, wherein said fiberboard is a medium density fiberboard.
122. The composition of any one of claims 73 to 120, wherein said fiberboard is a high density fiberboard.
123. Use of a composition as defined in any one of claims 73 to 120 for preparing a medium density fiberboard.
124. Use of a composition as defined in any one of claims 73 to 120 for preparing a high density fiberboard.
125. A fiberboard comprising a sludge chosen from a primary pulp and paper sludge, a secondary pulp and paper sludge, and a mixture thereof, said fiberboard being obtained by pressing a mixture comprising:
- wood fibers;
  - a binder; and
  - said sludge chosen from a primary pulp and paper sludge, a secondary pulp and paper sludge, and a mixture thereof.
126. The fiberboard of 125, wherein said mixture was dried before being pressed.
127. The fiberboard of claim 125, wherein before being pressed, said mixture had a moisture content of 7 % to 15 %.
128. The fiberboard of claim 125, wherein before being pressed, said mixture had a moisture content of 8 % to 12 %.
129. The fiberboard of any one of claims 125 to 128, wherein said wood fibers, said binder and said sludge were mixed together in order to obtain said mixture, before drying the mixture.
130. The fiberboard of any one of claims 125 to 128, wherein said binder was mixed with a composition comprising said wood fibers and said sludge in order to obtain said mixture, before drying the mixture.

131. The fiberboard of claim 129 or 130, wherein said wood fibers have been refined before being mixed with said binder and/or sludge.
132. The fiberboard of claim 129 or 130, wherein said wood fibers and said sludge have been mixed together and then refined before being mixed with said binder.
133. The fiberboard of any one of claims 125 to 132, wherein said fiberboard is further sanded.
134. The fiberboard of any one of claims 125 to 133, wherein said fiberboard is a high density fiberboard.
135. The fiberboard of any one of claims 125 to 133, wherein said fiberboard is a medium density fiberboard.

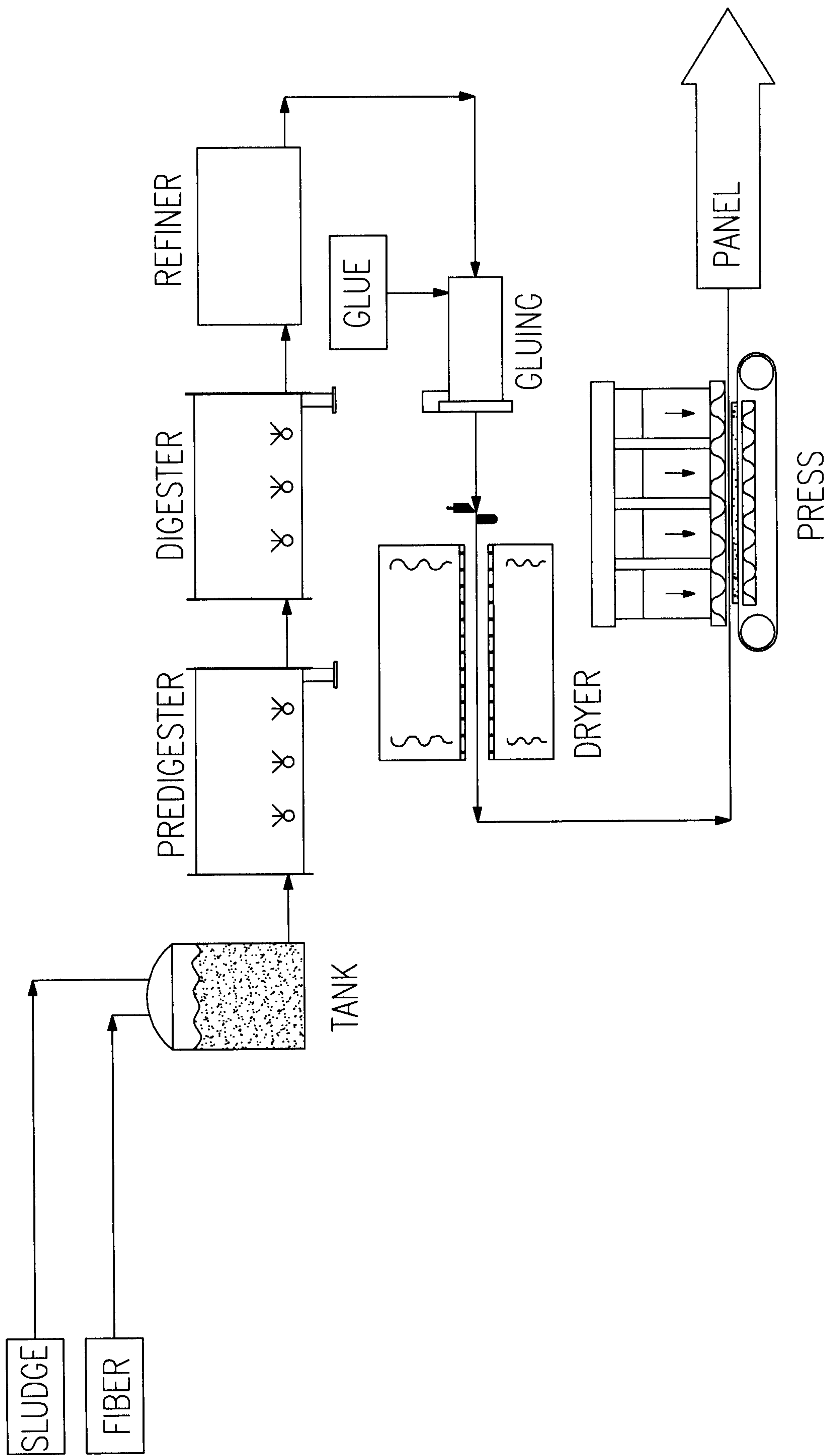


FIG. 1

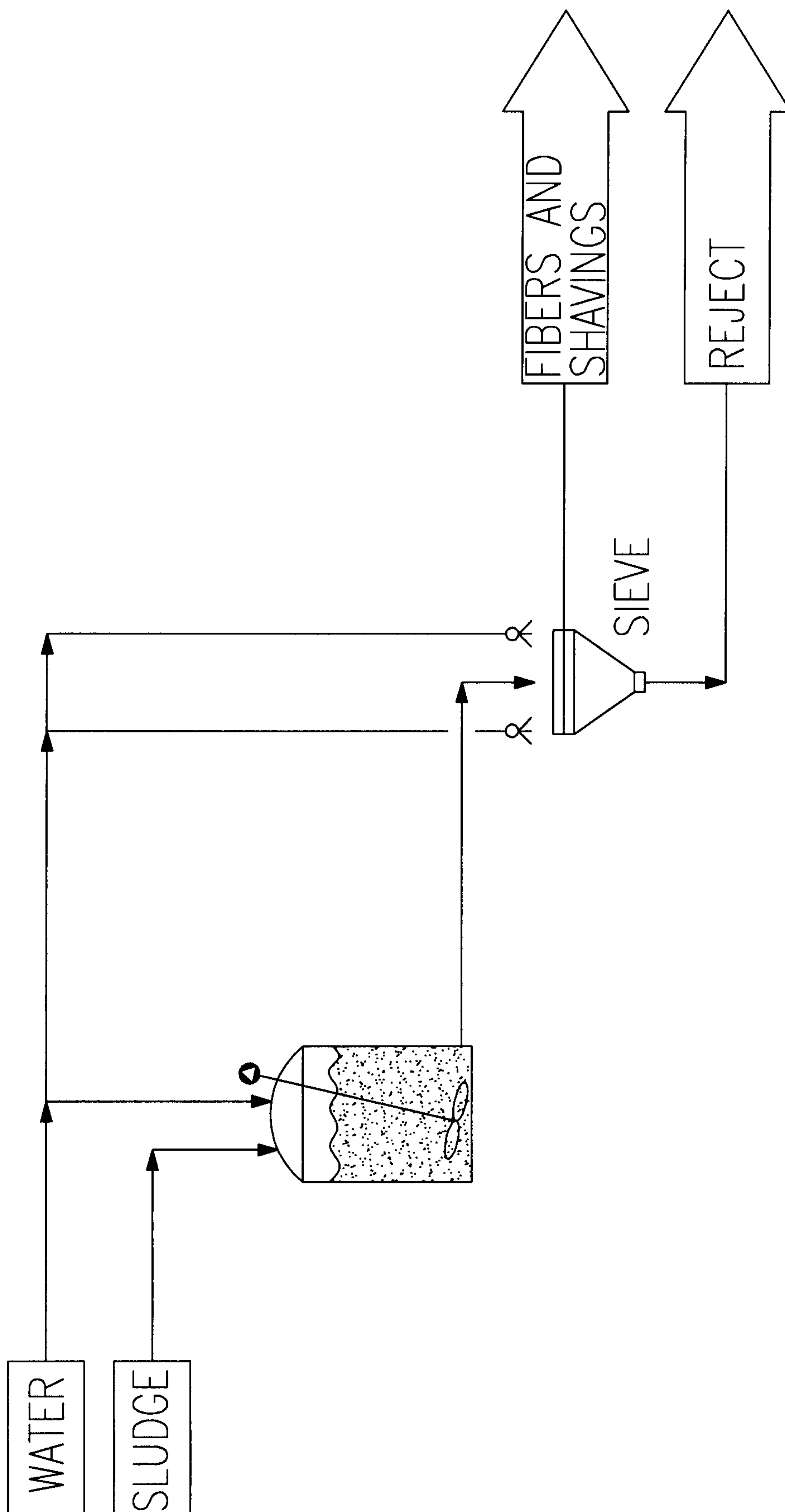


FIG. 2

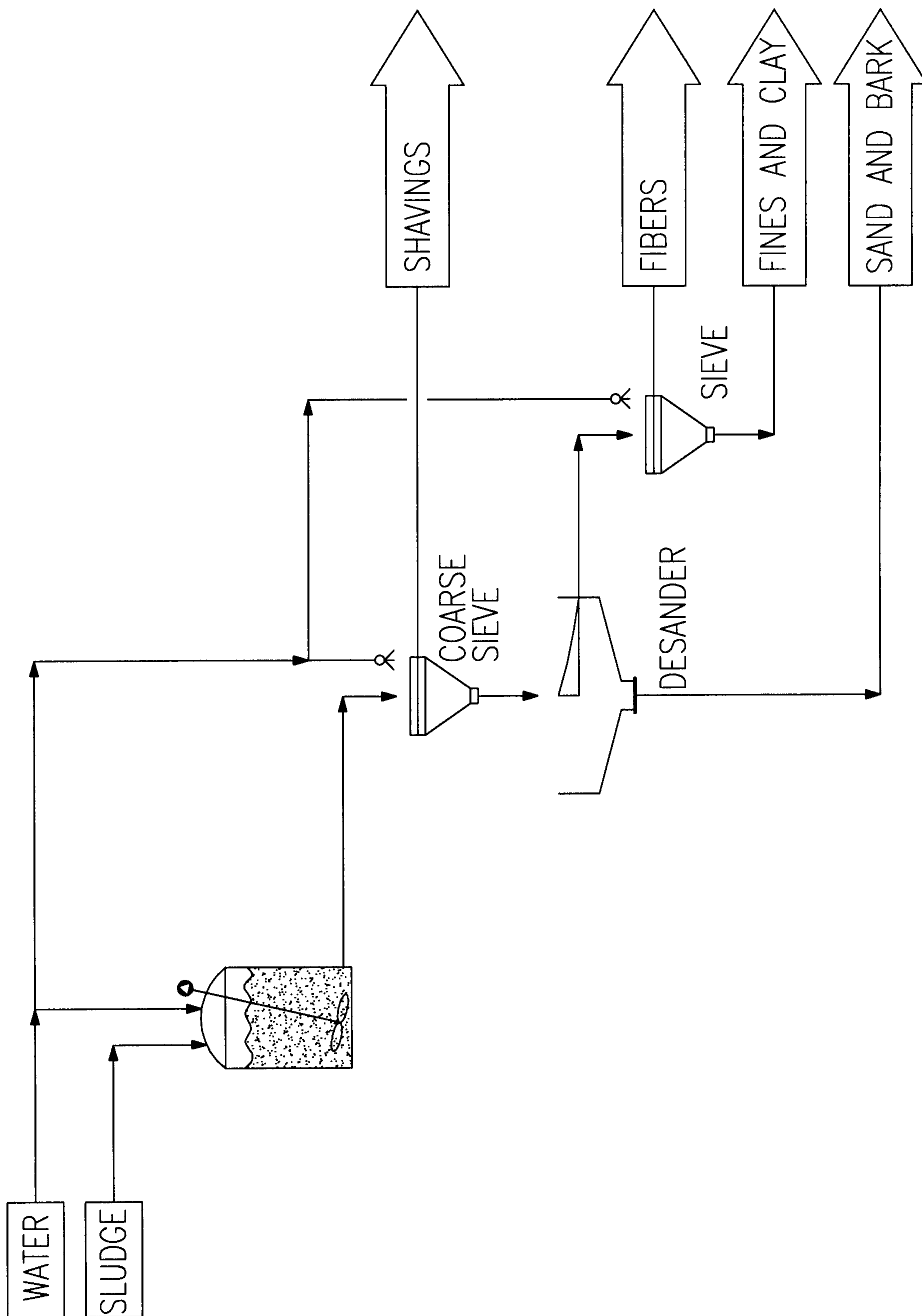


FIG. 3

