



- (51) International Patent Classification:
A61M 5/142 (2006.01) A61M 5/315 (2006.01)
A61M 5/155 (2006.01)
- (21) International Application Number:
PCT/US2014/070438
- (22) International Filing Date:
16 December 2014 (16.12.2014)
- (25) Filing Language: English
- (26) Publication Language: English
- (30) Priority Data:
61/916,314 16 December 2013 (16.12.2013) US
- (72) Inventor; and
- (71) Applicant : WALSH, Jessica [US/US]; 1325 Wolver
Hollow Road, Upper Brookville, New York 11771 (US).
- (74) Agent: GROLZ, Edward W.; Scully, Scott, Murphy &
Presser, 400 Garden City Plaza, Suite 300, Garden City,
New York 11530 (US).
- (81) Designated States (unless otherwise indicated, for every
kind of national protection available): AE, AG, AL, AM,
AO, AT, AU, AZ, BA, BB, BG, BH, BN, BR, BW, BY,

BZ, CA, CH, CL, CN, CO, CR, CU, CZ, DE, DK, DM,
DO, DZ, EC, EE, EG, ES, FI, GB, GD, GE, GH, GM, GT,
HN, HR, HU, ID, IL, IN, IR, IS, JP, KE, KG, KN, KP, KR,
KZ, LA, LC, LK, LR, LS, LU, LY, MA, MD, ME, MG,
MK, MN, MW, MX, MY, MZ, NA, NG, NI, NO, NZ, OM,
PA, PE, PG, PH, PL, PT, QA, RO, RS, RU, RW, SA, SC,
SD, SE, SG, SK, SL, SM, ST, SV, SY, TH, TJ, TM, TN,
TR, TT, TZ, UA, UG, US, UZ, VC, VN, ZA, ZM, ZW.

(84) Designated States (unless otherwise indicated, for every
kind of regional protection available): ARIPO (BW, GH,
GM, KE, LR, LS, MW, MZ, NA, RW, SD, SL, ST, SZ,
TZ, UG, ZM, ZW), Eurasian (AM, AZ, BY, KG, KZ, RU,
TJ, TM), European (AL, AT, BE, BG, CH, CY, CZ, DE,
DK, EE, ES, FI, FR, GB, GR, HR, HU, IE, IS, IT, LT, LU,
LV, MC, MK, MT, NL, NO, PL, PT, RO, RS, SE, SI, SK,
SM, TR), OAPI (BF, BJ, CF, CG, CI, CM, GA, GN, GQ,
GW, KM, ML, MR, NE, SN, TD, TG).

Published:
— with international search report (Art. 21(3))

(88) Date of publication of the international search report:
1 October 2015

(54) Title: WEARABLE MEDICATION ADMINISTRATION DEVICE

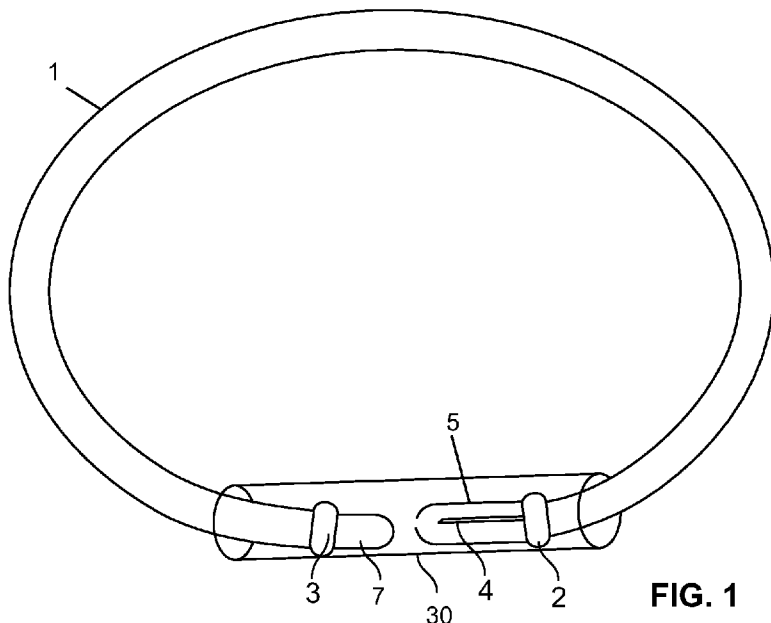


FIG. 1

(57) Abstract: A medication administration device is provided. The device has a flexible tube having an administration end, an activation end and a lumen between the ends. An administration assembly is attached to the administration end. An activation assembly is attached to the activation end. A syringe is disposed within the lumen. The syringe contains the medication and has a first end and an opposite second end. A plunger is disposed within the lumen and operatively connected to the first end of the syringe. A rupturable seal is provided to the second end of the syringe, which end is approximate to the administration end. The activation assembly activates the plunger to break the rupturable seal to establish a fluid communication between the second end of the syringe and the administration assembly. Accordingly, transportation of the medication from the syringe to the medication administration assembly through the medication administration end is allowed.



INTERNATIONAL SEARCH REPORT

International application No.
PCT/US14/70438

A. CLASSIFICATION OF SUBJECT MATTER
 IPC(8) - A61M 5/142, 5/155, 5/315 (2015.01)
 CPC - A61M 5/14244, 5/31591
 According to International Patent Classification (IPC) or to both national classification and IPC

B. FIELDS SEARCHED
 Minimum documentation searched (classification system followed by classification symbols)
 IPC(8): A61M 5/142, 5/155, 5/315, 5/32 (2015.01)
 CPC: A61M 5/14244, 5/31591, 5/3202; USPC: 604/144, 240, 244

Documentation searched other than minimum documentation to the extent that such documents are included in the fields searched

Electronic data base consulted during the international search (name of data base and, where practicable, search terms used)
 PatSeer (US, EP, WO, JP, DE, GB, CN, FR, KR, ES, AU, IN, CA, INPADOC); Google Patent; Google; Google Scholar; ProQuest;
 KEYWORDS: wearable, flexible, tube, lumen, cannula, syringe, plunger, within, inside, internal, contained, bend, medication

C. DOCUMENTS CONSIDERED TO BE RELEVANT

Category*	Citation of document, with indication, where appropriate, of the relevant passages	Relevant to claim No.
A	US 4178928 A (TISCHLINGER, EA) 18 December 1979; figures 1-3; column 1, lines 61-68; column 2, lines 17-51; column 3, lines 39-68; column 4, lines 1-16	1-16
A	US 4865590 A (MARMAR, JL) 12 September 1989; column 2, lines 53-68; column 3, lines 1-3	1-16
A	US 4525164 A (LOEB, MP et al.) 25 June 1985; figures 1-2, 5; column 4, lines 23-40; column 5, lines 26-31	1-16
A	US 2013/0079747 A1 (GROSS, J et al.) 28 March 2013; entire document	1-16

Further documents are listed in the continuation of Box C.

* Special categories of cited documents:
 "A" document defining the general state of the art which is not considered to be of particular relevance
 "E" earlier application or patent but published on or after the international filing date
 "L" document which may throw doubts on priority claim(s) or which is cited to establish the publication date of another citation or other special reason (as specified)
 "O" document referring to an oral disclosure, use, exhibition or other means
 "P" document published prior to the international filing date but later than the priority date claimed
 "T" later document published after the international filing date or priority date and not in conflict with the application but cited to understand the principle or theory underlying the invention
 "X" document of particular relevance; the claimed invention cannot be considered novel or cannot be considered to involve an inventive step when the document is taken alone
 "Y" document of particular relevance; the claimed invention cannot be considered to involve an inventive step when the document is combined with one or more other such documents, such combination being obvious to a person skilled in the art
 "&" document member of the same patent family

Date of the actual completion of the international search 26 February 2015 (26.02.2015)	Date of mailing of the international search report 16 MAR 2015
--	--

Name and mailing address of the ISA/US Mail Stop PCT, Attn: ISA/US, Commissioner for Patents P.O. Box 1450, Alexandria, Virginia 22313-1450 Facsimile No. 571-273-3201	Authorized officer: Shane Thomas PCT Helpdesk: 571-272-4300 PCT OSP: 571-272-7774
---	--