

(19) World Intellectual Property Organization
International Bureau



(43) International Publication Date
9 November 2006 (09.11.2006)

PCT

(10) International Publication Number
WO 2006/117783 A3

- (51) International Patent Classification:
A61M 25/00 (2006.01)
- (21) International Application Number:
PCT/IL2006/000523
- (22) International Filing Date: 2 May 2006 (02.05.2006)
- (25) Filing Language: English
- (26) Publication Language: English
- (30) Priority Data:
168321 2 May 2005 (02.05.2005) IL
- (71) Applicant (for all designated States except US):
RESQMEDICAL LTD. [IL/IL]; P.O. Box 12, 12900
KATRIN (IL).

AT, AU, AZ, BA, BB, BG, BR, BW, BY, BZ, CA, CH, CN, CO, CR, CU, CZ, DE, DK, DM, DZ, EC, EE, EG, ES, FI, GB, GD, GE, GH, GM, HR, HU, ID, IL, IN, IS, JP, KE, KG, KM, KN, KP, KR, KZ, LC, LK, LR, LS, LT, LU, LV, LY, MA, MD, MG, MK, MN, MW, MX, MZ, NA, NG, NI, NO, NZ, OM, PG, PH, PL, PT, RO, RU, SC, SD, SE, SG, SK, SL, SM, SY, TJ, TM, TN, TR, TT, TZ, UA, UG, US, UZ, VC, VN, YU, ZA, ZM, ZW.

(84) Designated States (unless otherwise indicated, for every kind of regional protection available): ARIPO (BW, GH, GM, KE, LS, MW, MZ, NA, SD, SL, SZ, TZ, UG, ZM, ZW), Eurasian (AM, AZ, BY, KG, KZ, MD, RU, TJ, TM), European (AT, BE, BG, CH, CY, CZ, DE, DK, EE, ES, FI, FR, GB, GR, HU, IE, IS, IT, LT, LU, LV, MC, NL, PL, PT, RO, SE, SI, SK, TR), OAPI (BF, BJ, CF, CG, CI, CM, GA, GN, GQ, GW, ML, MR, NE, SN, TD, TG).

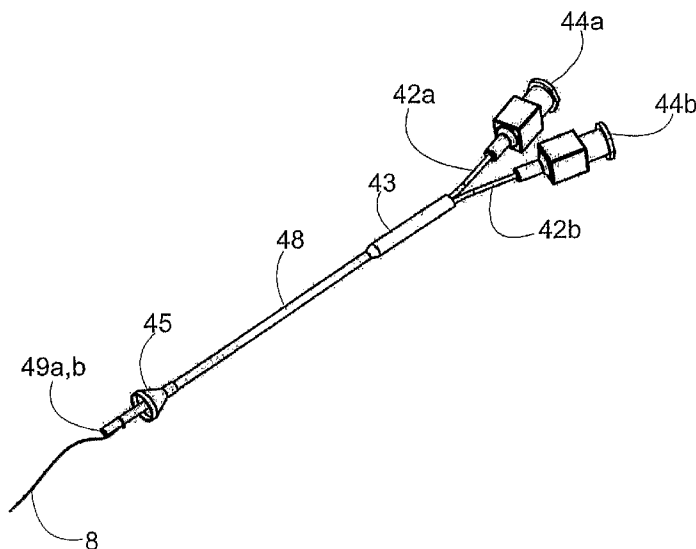
- (72) Inventor; and
- (75) Inventor/Applicant (for US only): **HALEVY, Haim** [IL/IL]; Moshav Manof 52, 20184 Misgav (IL).
- (74) Agent: **LANGER, Edward**; Shibolet Yisraeli Roberts Zisman & Co., 46 Montefiore St., 65201 Tel Aviv (IL).
- (81) Designated States (unless otherwise indicated, for every kind of national protection available): AE, AG, AL, AM,

Published:
— with international search report

(88) Date of publication of the international search report:
31 May 2007

For two-letter codes and other abbreviations, refer to the "Guidance Notes on Codes and Abbreviations" appearing at the beginning of each regular issue of the PCT Gazette.

(54) Title: SELF-WITHDRAWING CATHETER FOR INJECTING INTO BODY PASSAGEWAYS AND KIT CONTAINING SAME



(57) Abstract: The present invention provides a self-withdrawing catheter device for injection of material into a body passageway, comprising: a) a highly-flexible elongated shaft including at least one injection channel, attachable to a syringe; b) a canopy attached to the shaft near the distal end, the canopy providing smooth self-withdrawal of the catheter from within a body passageway, due to backward fluid pressure exerted upon said canopy after injection of material through said catheter. The invention also provides a surgical method and kit for fistular repair, comprising the afore-mentioned catheter, an additional balloon catheter for injecting fluids to clear a fistula, a debriding brush, a guide wire for aiding in inserting the components into the fistula, and hooks and ties for connecting these elements and drawing them into the fistula.

WO 2006/117783 A3

INTERNATIONAL SEARCH REPORT

International application No.

PCT/IL06/00523

A. CLASSIFICATION OF SUBJECT MATTER IPC: A61M 25/00(2006.01) USPC: 604/523 According to International Patent Classification (IPC) or to both national classification and IPC																							
B. FIELDS SEARCHED Minimum documentation searched (classification system followed by classification symbols) U.S. : 604/523, 264 Documentation searched other than minimum documentation to the extent that such documents are included in the fields searched Electronic data base consulted during the international search (name of data base and, where practicable, search terms used)																							
C. DOCUMENTS CONSIDERED TO BE RELEVANT																							
<table border="1" style="width: 100%; border-collapse: collapse;"> <thead> <tr> <th style="width: 10%;">Category *</th> <th style="width: 70%;">Citation of document, with indication, where appropriate, of the relevant passages</th> <th style="width: 20%;">Relevant to claim No.</th> </tr> </thead> <tbody> <tr> <td style="text-align: center;">A</td> <td>US 5,314,462 A (HEIL, Jr. et al.) 24 May 1994 (24.05.1994); see entire patent.</td> <td style="text-align: center;">1-16</td> </tr> <tr> <td style="text-align: center;">A</td> <td>US 5,514,174 A (HEIL, Jr. et al.) 7 May 1996 (07.05.1996); see entire patent.</td> <td style="text-align: center;">1-16</td> </tr> </tbody> </table>	Category *	Citation of document, with indication, where appropriate, of the relevant passages	Relevant to claim No.	A	US 5,314,462 A (HEIL, Jr. et al.) 24 May 1994 (24.05.1994); see entire patent.	1-16	A	US 5,514,174 A (HEIL, Jr. et al.) 7 May 1996 (07.05.1996); see entire patent.	1-16	<table border="1" style="width: 100%; border-collapse: collapse;"> <tr> <td style="width: 50%; padding: 5px;"> <input type="checkbox"/> Further documents are listed in the continuation of Box C. </td> <td style="width: 50%; padding: 5px;"> <input type="checkbox"/> See patent family annex. </td> </tr> <tr> <td colspan="2" style="padding: 5px;"> <table border="0" style="width: 100%;"> <tr> <td style="width: 50%; vertical-align: top;"> * Special categories of cited documents: "A" document defining the general state of the art which is not considered to be of particular relevance "E" earlier application or patent published on or after the international filing date "L" document which may throw doubts on priority claim(s) or which is cited to establish the publication date of another citation or other special reason (as specified) "O" document referring to an oral disclosure, use, exhibition or other means "P" document published prior to the international filing date but later than the priority date claimed </td> <td style="width: 50%; vertical-align: top;"> "T" later document published after the international filing date or priority date and not in conflict with the application but cited to understand the principle or theory underlying the invention "X" document of particular relevance; the claimed invention cannot be considered novel or cannot be considered to involve an inventive step when the document is taken alone "Y" document of particular relevance; the claimed invention cannot be considered to involve an inventive step when the document is combined with one or more other such documents, such combination being obvious to a person skilled in the art "&" document member of the same patent family </td> </tr> </table> </td> </tr> <tr> <td style="padding: 5px;"> Date of the actual completion of the international search 05 January 2007 (05.01.2007) </td> <td colspan="2" style="padding: 5px;"> Date of mailing of the international search report <div style="text-align: center; font-size: 1.2em; font-weight: bold;">05 FEB 2007</div> </td> </tr> <tr> <td style="padding: 5px;"> Name and mailing address of the ISA/US Mail Stop PCT, Attn: ISA/US Commissioner for Patents P.O. Box 1450 Alexandria, Virginia 22313-1450 Facsimile No. (571) 273-3201 </td> <td colspan="2" style="padding: 5px;"> Authorized Officer <div style="text-align: center;"> Manuel Mendez Telephone No. 371-272-3700 </div> </td> </tr> </table>		<input type="checkbox"/> Further documents are listed in the continuation of Box C.	<input type="checkbox"/> See patent family annex.	<table border="0" style="width: 100%;"> <tr> <td style="width: 50%; vertical-align: top;"> * Special categories of cited documents: "A" document defining the general state of the art which is not considered to be of particular relevance "E" earlier application or patent published on or after the international filing date "L" document which may throw doubts on priority claim(s) or which is cited to establish the publication date of another citation or other special reason (as specified) "O" document referring to an oral disclosure, use, exhibition or other means "P" document published prior to the international filing date but later than the priority date claimed </td> <td style="width: 50%; vertical-align: top;"> "T" later document published after the international filing date or priority date and not in conflict with the application but cited to understand the principle or theory underlying the invention "X" document of particular relevance; the claimed invention cannot be considered novel or cannot be considered to involve an inventive step when the document is taken alone "Y" document of particular relevance; the claimed invention cannot be considered to involve an inventive step when the document is combined with one or more other such documents, such combination being obvious to a person skilled in the art "&" document member of the same patent family </td> </tr> </table>		* Special categories of cited documents: "A" document defining the general state of the art which is not considered to be of particular relevance "E" earlier application or patent published on or after the international filing date "L" document which may throw doubts on priority claim(s) or which is cited to establish the publication date of another citation or other special reason (as specified) "O" document referring to an oral disclosure, use, exhibition or other means "P" document published prior to the international filing date but later than the priority date claimed	"T" later document published after the international filing date or priority date and not in conflict with the application but cited to understand the principle or theory underlying the invention "X" document of particular relevance; the claimed invention cannot be considered novel or cannot be considered to involve an inventive step when the document is taken alone "Y" document of particular relevance; the claimed invention cannot be considered to involve an inventive step when the document is combined with one or more other such documents, such combination being obvious to a person skilled in the art "&" document member of the same patent family	Date of the actual completion of the international search 05 January 2007 (05.01.2007)	Date of mailing of the international search report <div style="text-align: center; font-size: 1.2em; font-weight: bold;">05 FEB 2007</div>		Name and mailing address of the ISA/US Mail Stop PCT, Attn: ISA/US Commissioner for Patents P.O. Box 1450 Alexandria, Virginia 22313-1450 Facsimile No. (571) 273-3201	Authorized Officer <div style="text-align: center;"> Manuel Mendez Telephone No. 371-272-3700 </div>	
Category *	Citation of document, with indication, where appropriate, of the relevant passages	Relevant to claim No.																					
A	US 5,314,462 A (HEIL, Jr. et al.) 24 May 1994 (24.05.1994); see entire patent.	1-16																					
A	US 5,514,174 A (HEIL, Jr. et al.) 7 May 1996 (07.05.1996); see entire patent.	1-16																					
<input type="checkbox"/> Further documents are listed in the continuation of Box C.	<input type="checkbox"/> See patent family annex.																						
<table border="0" style="width: 100%;"> <tr> <td style="width: 50%; vertical-align: top;"> * Special categories of cited documents: "A" document defining the general state of the art which is not considered to be of particular relevance "E" earlier application or patent published on or after the international filing date "L" document which may throw doubts on priority claim(s) or which is cited to establish the publication date of another citation or other special reason (as specified) "O" document referring to an oral disclosure, use, exhibition or other means "P" document published prior to the international filing date but later than the priority date claimed </td> <td style="width: 50%; vertical-align: top;"> "T" later document published after the international filing date or priority date and not in conflict with the application but cited to understand the principle or theory underlying the invention "X" document of particular relevance; the claimed invention cannot be considered novel or cannot be considered to involve an inventive step when the document is taken alone "Y" document of particular relevance; the claimed invention cannot be considered to involve an inventive step when the document is combined with one or more other such documents, such combination being obvious to a person skilled in the art "&" document member of the same patent family </td> </tr> </table>		* Special categories of cited documents: "A" document defining the general state of the art which is not considered to be of particular relevance "E" earlier application or patent published on or after the international filing date "L" document which may throw doubts on priority claim(s) or which is cited to establish the publication date of another citation or other special reason (as specified) "O" document referring to an oral disclosure, use, exhibition or other means "P" document published prior to the international filing date but later than the priority date claimed	"T" later document published after the international filing date or priority date and not in conflict with the application but cited to understand the principle or theory underlying the invention "X" document of particular relevance; the claimed invention cannot be considered novel or cannot be considered to involve an inventive step when the document is taken alone "Y" document of particular relevance; the claimed invention cannot be considered to involve an inventive step when the document is combined with one or more other such documents, such combination being obvious to a person skilled in the art "&" document member of the same patent family																				
* Special categories of cited documents: "A" document defining the general state of the art which is not considered to be of particular relevance "E" earlier application or patent published on or after the international filing date "L" document which may throw doubts on priority claim(s) or which is cited to establish the publication date of another citation or other special reason (as specified) "O" document referring to an oral disclosure, use, exhibition or other means "P" document published prior to the international filing date but later than the priority date claimed	"T" later document published after the international filing date or priority date and not in conflict with the application but cited to understand the principle or theory underlying the invention "X" document of particular relevance; the claimed invention cannot be considered novel or cannot be considered to involve an inventive step when the document is taken alone "Y" document of particular relevance; the claimed invention cannot be considered to involve an inventive step when the document is combined with one or more other such documents, such combination being obvious to a person skilled in the art "&" document member of the same patent family																						
Date of the actual completion of the international search 05 January 2007 (05.01.2007)	Date of mailing of the international search report <div style="text-align: center; font-size: 1.2em; font-weight: bold;">05 FEB 2007</div>																						
Name and mailing address of the ISA/US Mail Stop PCT, Attn: ISA/US Commissioner for Patents P.O. Box 1450 Alexandria, Virginia 22313-1450 Facsimile No. (571) 273-3201	Authorized Officer <div style="text-align: center;"> Manuel Mendez Telephone No. 371-272-3700 </div>																						