

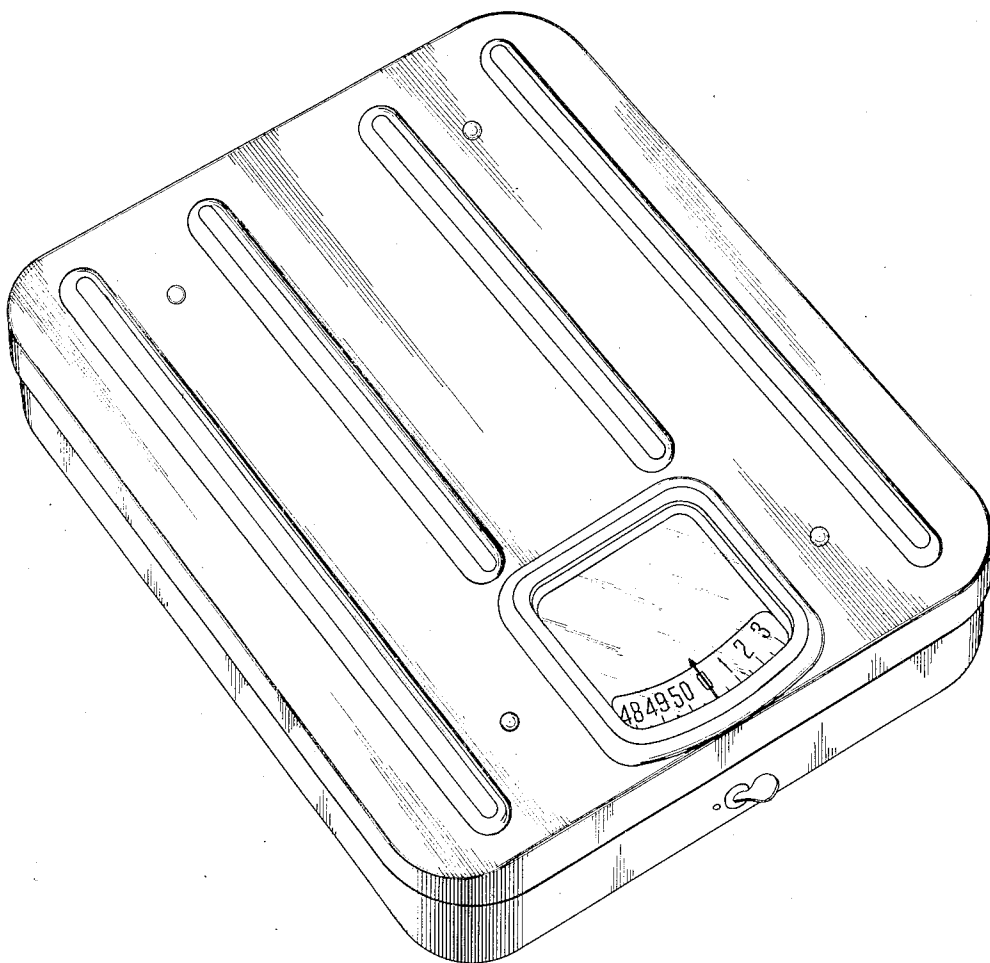
Dec. 8, 1936.

W. H. GREENLEAF

Des. 102,272

WEIGHING SCALE OR SIMILAR ARTICLE

Filed Sept. 30, 1936



INVENTOR
WILLIAM H. GREENLEAF.

by Charles E. Hill Attys.

UNITED STATES PATENT OFFICE

102,272

DESIGN FOR A WEIGHING SCALE OR
SIMILAR ARTICLE

William H. Greenleaf, Chicago, Ill.

Application September 30, 1936, Serial No. 65,077

Term of patent 14 years

To all whom it may concern:

Be it known that I, William H. Greenleaf, a citizen of the United States and a resident of the city of Chicago, county of Cook, and State of Illinois, have invented a new, original, and ornamental Design for a Weighing Scale or Similar Article, of which the following is a specification, reference being had to the accompanying drawing, forming a part thereof.

On the drawing:

The figure is a perspective view of the weighing scale showing my new design.

I claim:

The ornamental design for a weighing scale or similar article, as shown.

WILLIAM H. GREENLEAF.