



US00D802041S

(12) **United States Design Patent**
He et al.

(10) **Patent No.:** **US D802,041 S**
(45) **Date of Patent:** **** Nov. 7, 2017**

- (54) **ROBOTIC ARM**
- (71) Applicant: **ENGINEERING SERVICES INC.,**
Toronto (CA)
- (72) Inventors: **Xiaojia He,** Toronto (CA); **Ziren Lu,**
Thornhill (CA); **Andrew A. Goldenberg,** Toronto (CA)
- (73) Assignee: **ENGINEERING SERVICES INC.,**
Toronto, ON (CA)
- (**) Term: **15 Years**
- (21) Appl. No.: **29/602,027**
- (22) Filed: **Apr. 27, 2017**
- (51) **LOC (10) Cl.** **15-99**
- (52) **U.S. Cl.**
USPC **D15/199**
- (58) **Field of Classification Search**
USPC D15/199; D21/578-583, 621, 622;
D23/259, 262, 263
CPC ... B25J 9/102; B25J 9/104; B25J 9/126; B25J
17/00; B25J 18/00; Y10S 901/23; Y10S
901/25; Y10S 901/20311; Y10S
901/2031; Y10S 901/20323; Y10S
901/20329
See application file for complete search history.

- D790,618 S * 6/2017 Ke D15/199
- 2011/0064554 A1* 3/2011 Ito B25J 9/047
414/735
- 2011/0107866 A1* 5/2011 Oka B25J 9/0084
74/490.03
- 2013/0125694 A1* 5/2013 Long B25J 11/0075
74/490.01
- 2014/0102239 A1* 4/2014 Umeno B25J 15/0033
74/490.01

(Continued)

Primary Examiner — Patricia Palasik
(74) *Attorney, Agent, or Firm* — Nancy Hill; Hill &
Schumacher

(57) **CLAIM**

The ornamental design for a robotic arm, as shown and described.

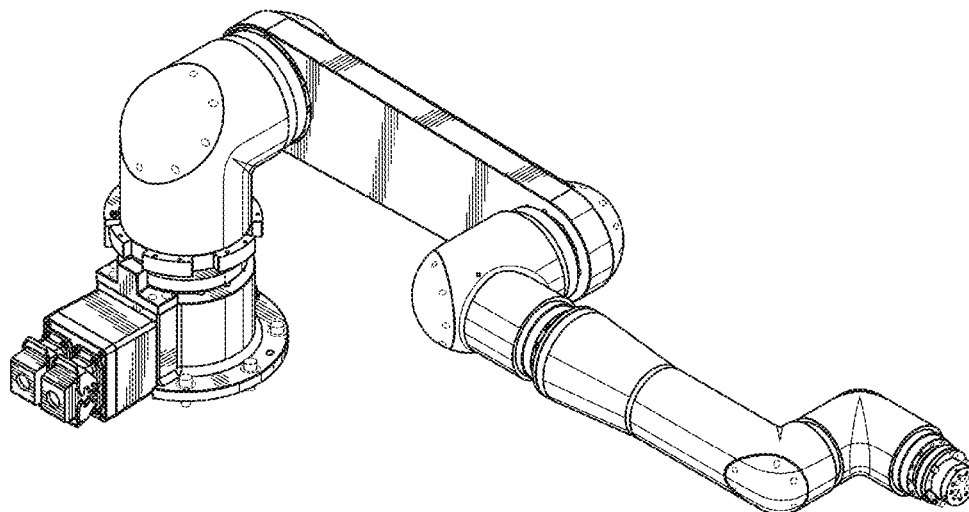
DESCRIPTION

FIG. 1 is perspective view of the robot arm showing our new design;
FIG. 2 is a top view thereof;
FIG. 3 is a front view thereof;
FIG. 4 is a right side view thereof;
FIG. 5 is a left side view thereof;
FIG. 6 is bottom view thereof;
FIG. 7 is a perspective view our new robot arm showing our new design in a first alternate condition of use;
FIG. 8 is a left side view thereof;
FIG. 9 is a front view thereof;
FIG. 10 is a bottom view thereof;
FIG. 11 is a top view thereof;
FIG. 12 is a right side view thereof;
FIG. 13 is a front perspective view of our new robot arm showing our new design in a second alternate condition of use; and,
FIG. 14 is a rear perspective view thereof.
The broken lines in the drawings depict unclaimed environmental subject matter.

(56) **References Cited**
U.S. PATENT DOCUMENTS

- D638,044 S * 5/2011 Ikoma D15/199
- D670,319 S * 11/2012 Liu D15/199
- D677,294 S * 3/2013 Long D15/199
- 8,525,460 B2* 9/2013 Reiland B25J 9/1641
267/277
- D692,041 S * 10/2013 Selic D15/199
- D716,357 S * 10/2014 Gombert D15/199
- 9,375,841 B1* 6/2016 Kemper B25J 13/085
- D766,348 S * 9/2016 Long D15/199
- D776,178 S * 1/2017 Ries D15/199

1 Claim, 8 Drawing Sheets



(56)

References Cited

U.S. PATENT DOCUMENTS

2014/0137687	A1*	5/2014	Nogami	B25J 18/00 74/490.03
2014/0224057	A1*	8/2014	Tanaka	B25J 9/102 74/490.05
2016/0101518	A1*	4/2016	Saito	B25J 9/0009 74/490.03
2016/0331482	A1*	11/2016	Hares	B25J 9/1689
2017/0020615	A1*	1/2017	Koenig	A61B 34/30

* cited by examiner

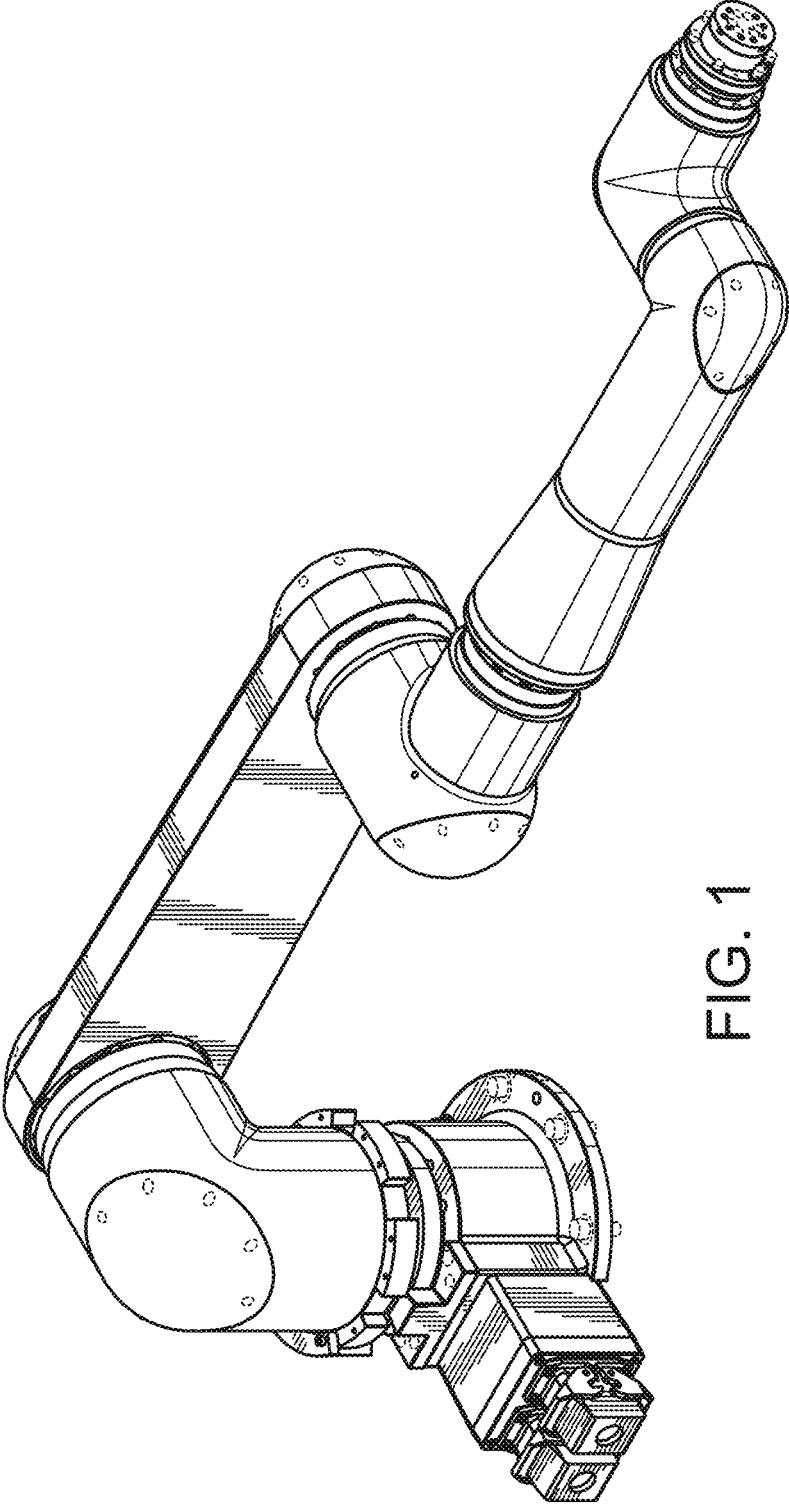


FIG. 1

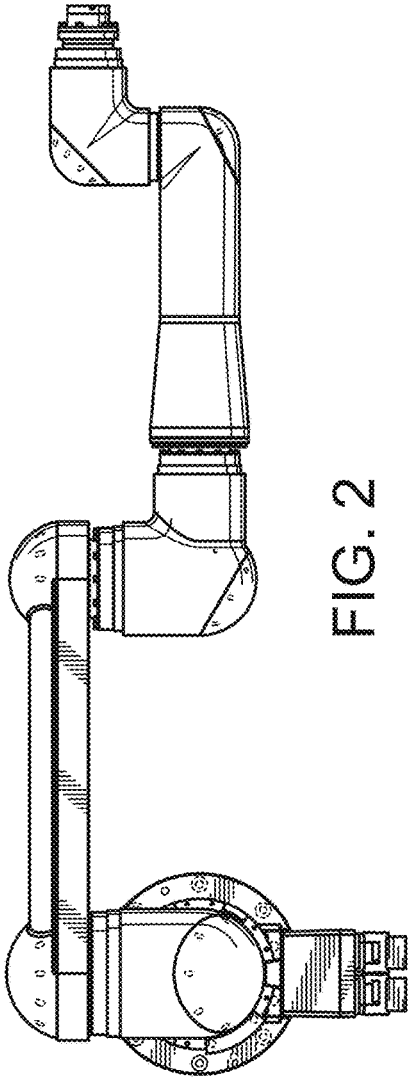


FIG. 2

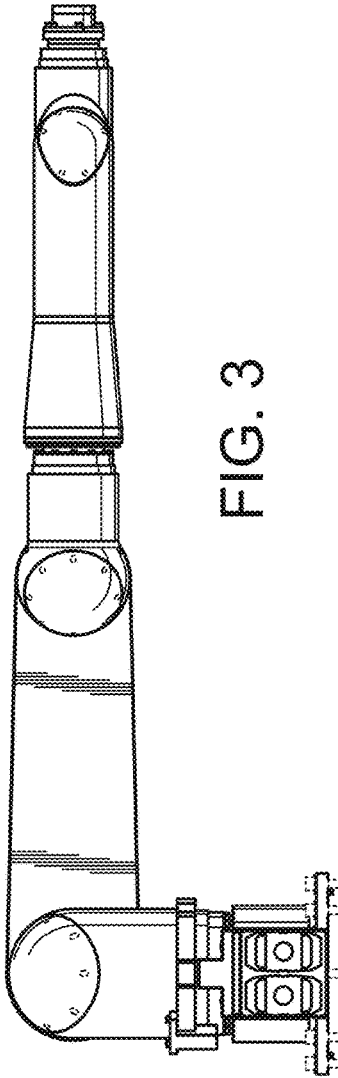


FIG. 3

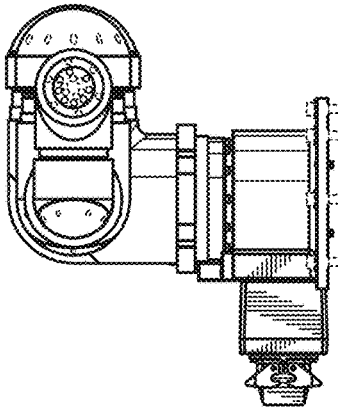


FIG. 4

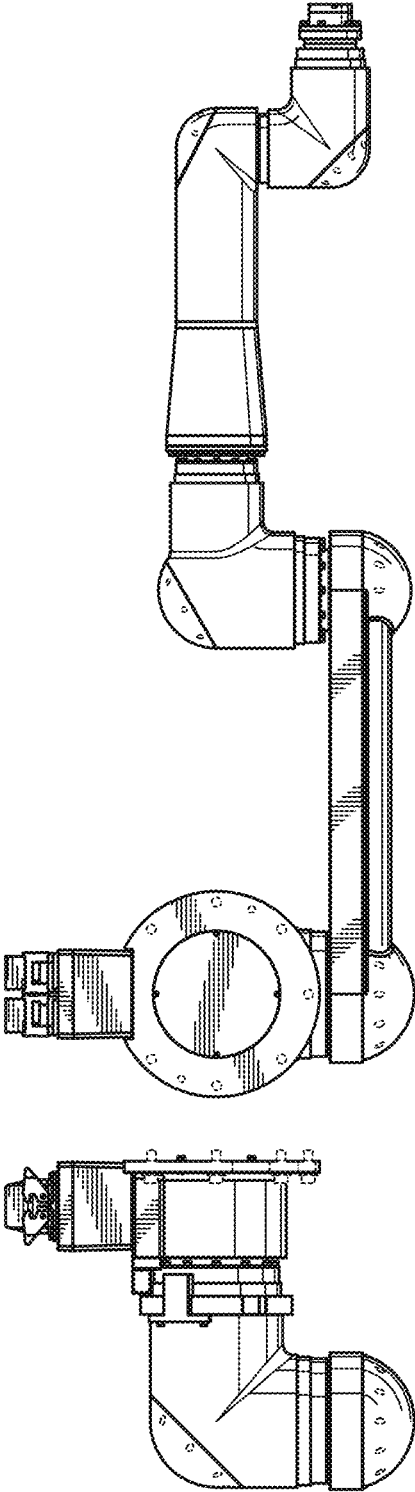


FIG. 6

FIG. 5

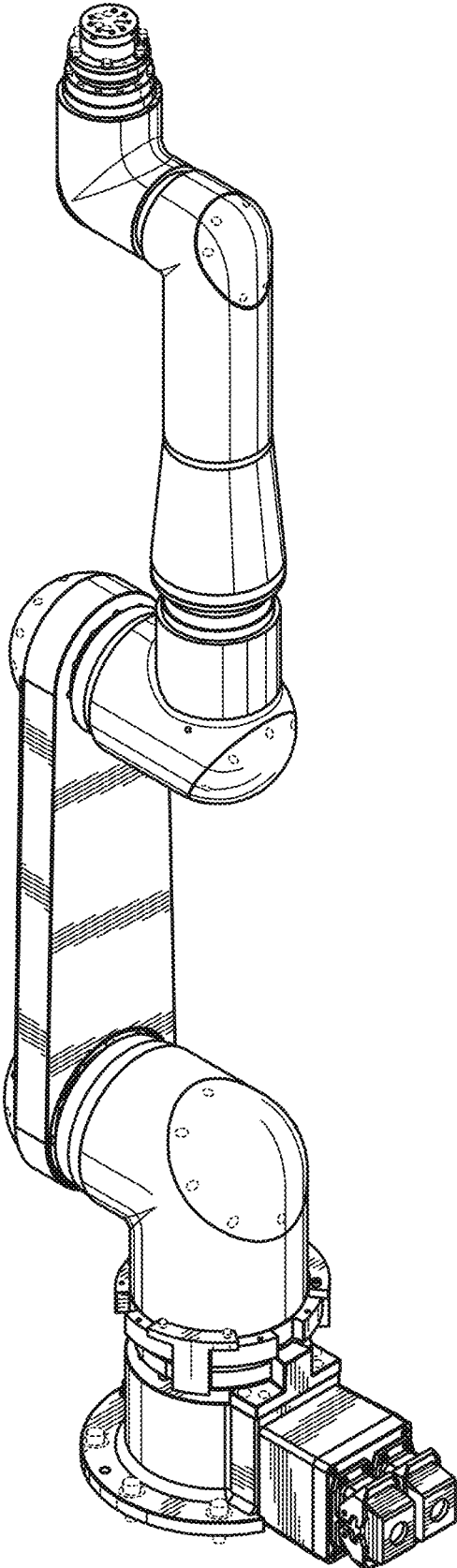
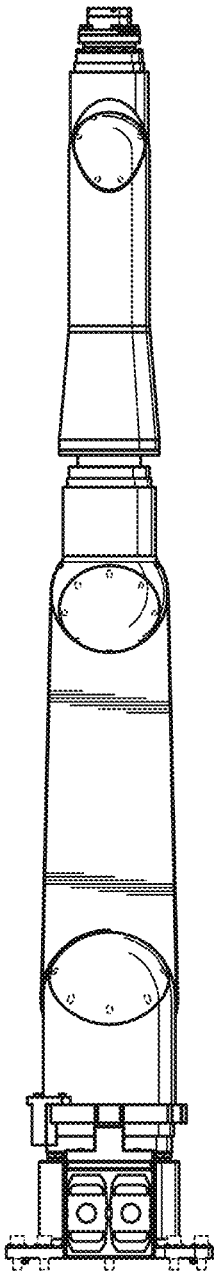
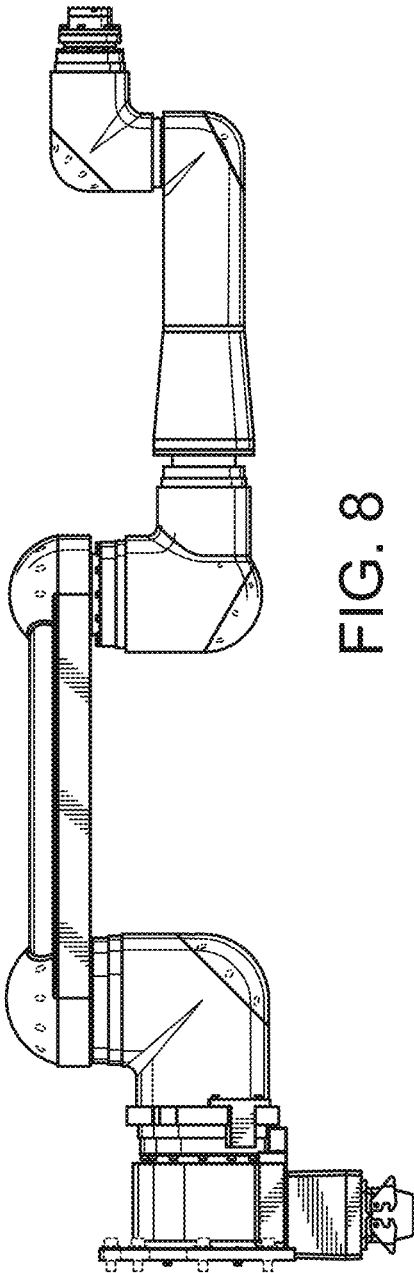


FIG. 7



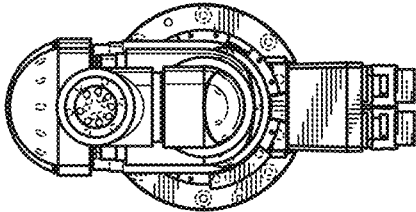


FIG. 10

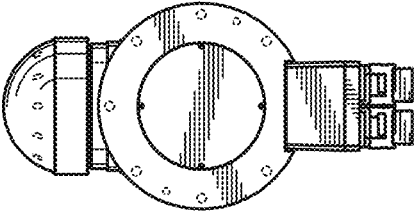


FIG. 11

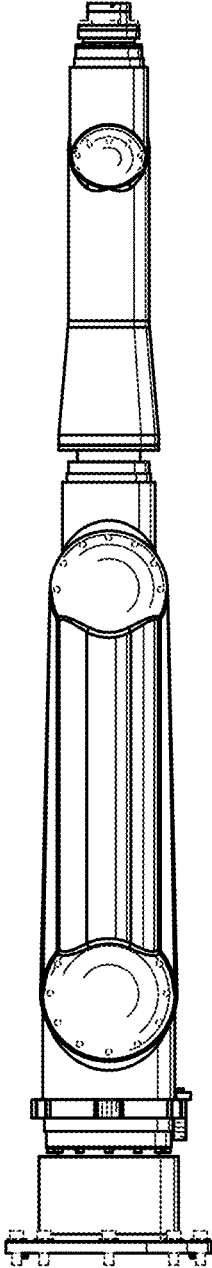


FIG. 12

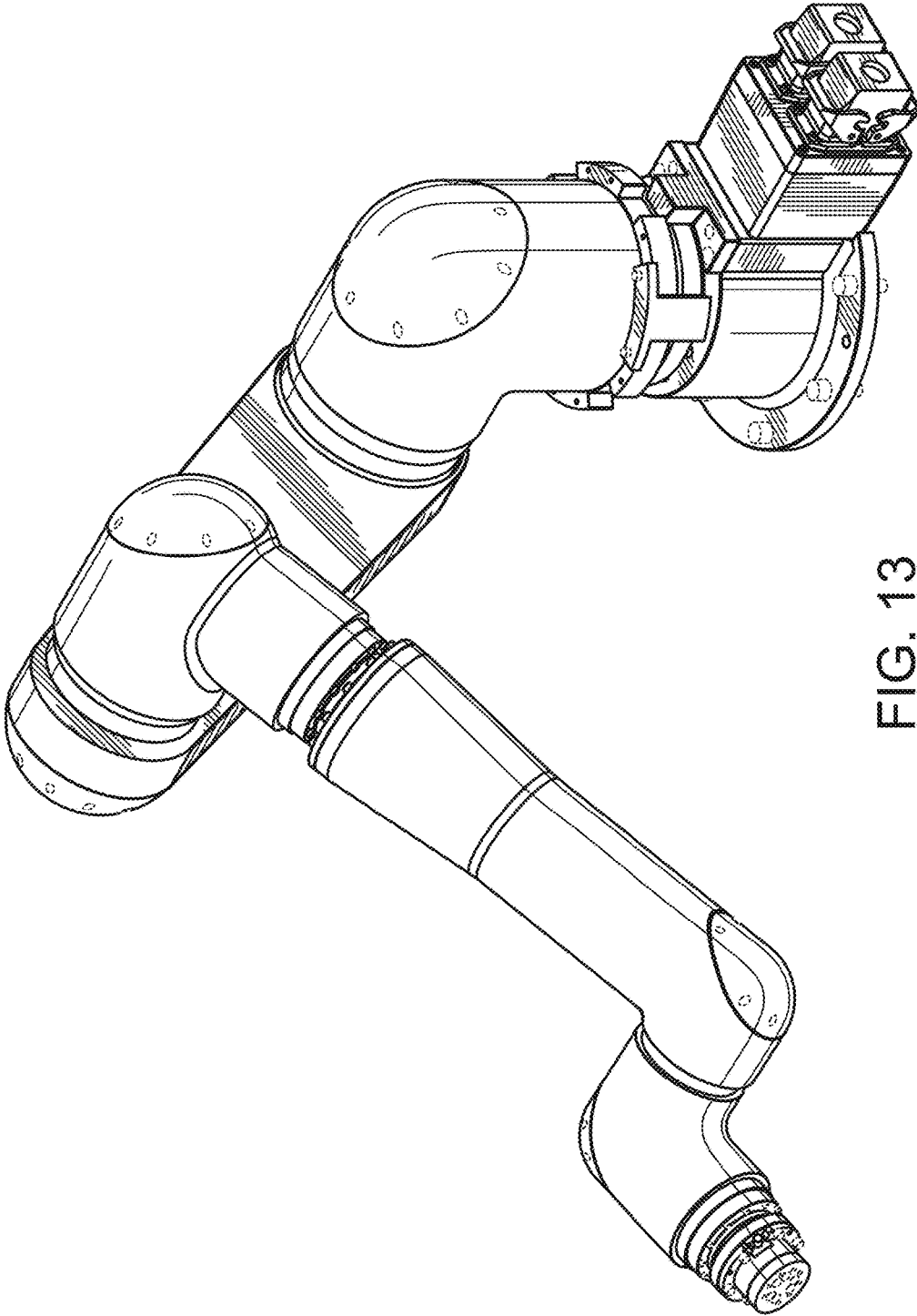


FIG. 13

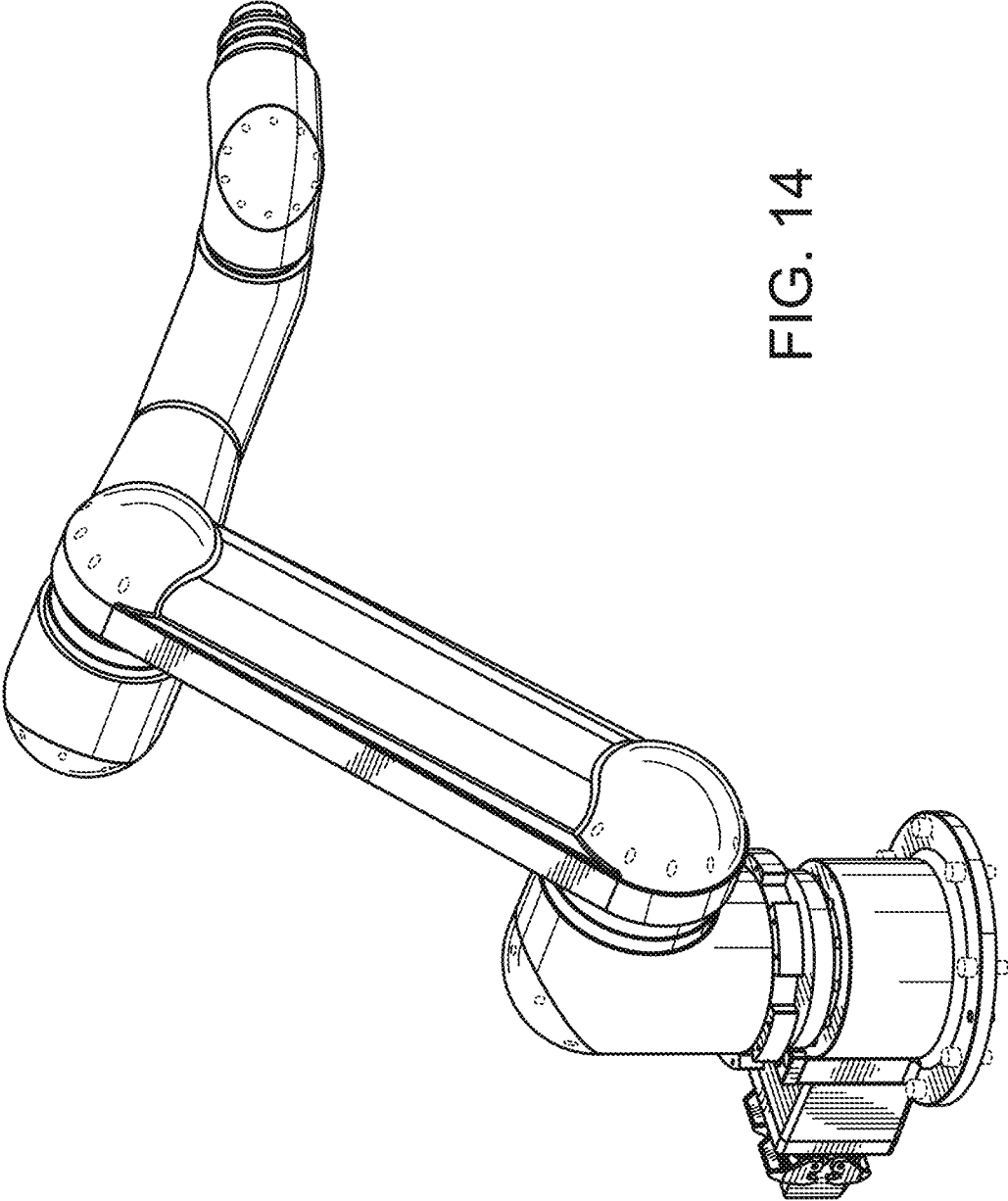


FIG. 14