

(19) World Intellectual Property Organization
International Bureau



(43) International Publication Date
8 November 2007 (08.11.2007)

PCT

(10) International Publication Number
WO 2007/127072 A3

(51) International Patent Classification:
A47J 37/00 (2006.01)

[US/US]; 103 Lilac Court, Rolling Meadows, IL 60008 (US).

(21) International Application Number:
PCT/US2007/009192

(74) Agent: WEIMERS, Eric, H.; Ryndak & Suri LLP, 200 West Madison Street, Suite 2100, Chicago, IL 60606 (US).

(22) International Filing Date: 16 April 2007 (16.04.2007)

(81) Designated States (unless otherwise indicated, for every kind of national protection available): AE, AG, AL, AM, AT, AU, AZ, BA, BB, BG, BH, BR, BW, BY, BZ, CA, CH, CN, CO, CR, CU, CZ, DE, DK, DM, DZ, EC, EE, EG, ES, FI, GB, GD, GE, GH, GM, GT, HN, HR, HU, ID, IL, IN, IS, JP, KE, KG, KM, KN, KP, KR, KZ, LA, LC, LK, LR, LS, LT, LU, LY, MA, MD, MG, MK, MN, MW, MX, MY, MZ, NA, NG, NI, NO, NZ, OM, PG, PH, PL, PT, RO, RS, RU, SC, SD, SE, SG, SK, SL, SM, SV, SY, TJ, TM, TN, TR, TT, TZ, UA, UG, US, UZ, VC, VN, ZA, ZM, ZW.

(25) Filing Language: English

(26) Publication Language: English

(30) Priority Data:
11/413,642 28 April 2006 (28.04.2006) US
11/413,869 28 April 2006 (28.04.2006) US

(71) Applicant (for all designated States except US):
RESTAURANT TECHNOLOGY, INC. [US/US];
2111 McDonald's Drive, Oak Brook, IL 60523 (US).

(71) Applicants and

(72) Inventors (for all designated States except US):
DORSTEN, Ron [US/US]; 1968 Glenview Road, Glenview, IL 60025 (US). **ZAGORSKI, Michael** [US/US];
1523 North Douglas Avenue, Arlington Heights, IL 60004 (US).

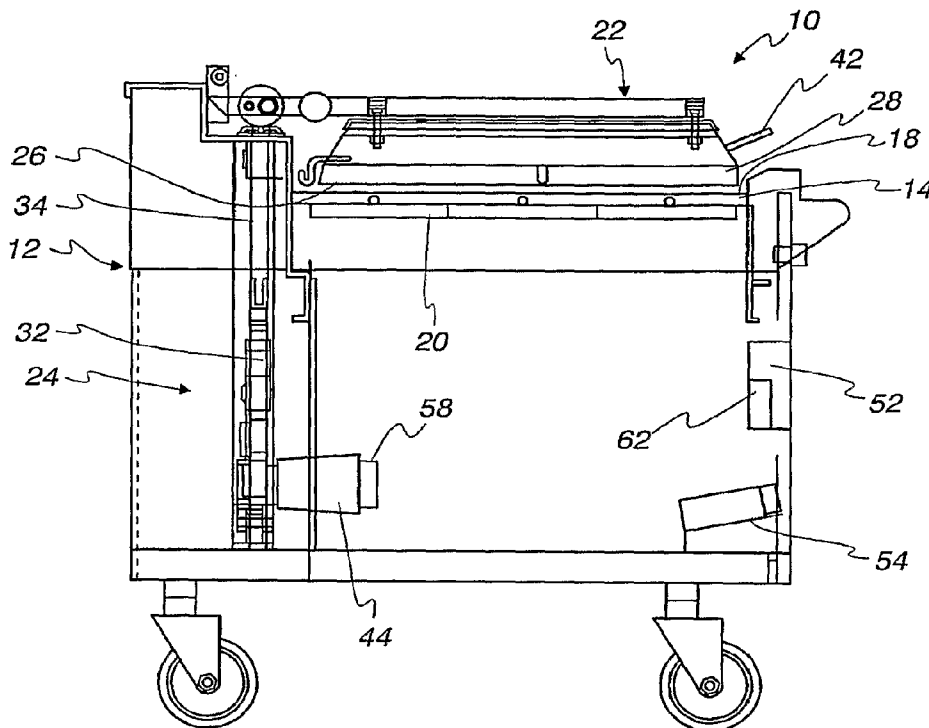
(84) Designated States (unless otherwise indicated, for every kind of regional protection available): ARIPO (BW, GH, GM, KE, LS, MW, MZ, NA, SD, SL, SZ, TZ, UG, ZM, ZW), Eurasian (AM, AZ, BY, KG, KZ, MD, RU, TJ, TM), European (AT, BE, BG, CH, CY, CZ, DE, DK, EE, ES, FI, FR, GB, GR, HU, IE, IS, IT, LT, LU, LV, MC, MT, NL, PL, PT, RO, SE, SI, SK, TR), OAPI (BF, BJ, CF, CG, CI, CM, GA, GN, GQ, GW, ML, MR, NE, SN, TD, TG).

(72) Inventor; and

(75) Inventor/Applicant (for US only): **CALZADA, Manuel**

[Continued on next page]

(54) Title: AUTOMATED DUAL COOKING SURFACE GRILL AND METHOD



(57) Abstract: A dual-sided cooking device is provided that determines whether the upper (22) and lower (14) cooking platens are substantially parallel to each other when in a cooking position. In addition, the method and device in accordance with the invention are capable of identifying a type of food item placed on a lower cooking platen of a two-sided cooking grill.

WO 2007/127072 A3



Declarations under Rule 4.17:

- *as to applicant's entitlement to apply for and be granted a patent (Rule 4.17(ii))*
- *as to the applicant's entitlement to claim the priority of the earlier application (Rule 4.17(iii))*

Published:

- *with international search report*

(88) Date of publication of the international search report:
23 October 2008

INTERNATIONAL SEARCH REPORT

International application No.

PCT/US07/09192

A. CLASSIFICATION OF SUBJECT MATTER
 IPC: **A47J 37/00(2006.01)**
 A47J 37/00(2006.01)

 USPC: **99/349,379;219/460.1**
 According to International Patent Classification (IPC) or to both national classification and IPC

B. FIELDS SEARCHED

Minimum documentation searched (classification system followed by classification symbols)
 U.S. : 99/349,372-379, 339, 340, 444-450,348; 219/460.1, 451.1,461.1,465.1,467.1,468.2

Documentation searched other than minimum documentation to the extent that such documents are included in the fields searched

Electronic data base consulted during the international search (name of data base and, where practicable, search terms used)

C. DOCUMENTS CONSIDERED TO BE RELEVANT

Category *	Citation of document, with indication, where appropriate, of the relevant passages	Relevant to claim No.
A	US 5,473,976 A (HERMANSSON) 12 December 1995 (12.12.1995), entire document.	1-62
A	US 6,079,321 A (HARTER et al) 27 June 2000 (2706.2000), entire document.	1-62
A	US 6,614,007 A (REAY) 02 September 2003 (02.09.2003), entire document.	1-62

Further documents are listed in the continuation of Box C. See patent family annex.

<p>* Special categories of cited documents:</p> <p>“A” document defining the general state of the art which is not considered to be of particular relevance</p> <p>“E” earlier application or patent published on or after the international filing date</p> <p>“L” document which may throw doubts on priority claim(s) or which is cited to establish the publication date of another citation or other special reason (as specified)</p> <p>“O” document referring to an oral disclosure, use, exhibition or other means</p> <p>“P” document published prior to the international filing date but later than the priority date claimed</p>	<p>“T” later document published after the international filing date or priority date and not in conflict with the application but cited to understand the principle or theory underlying the invention</p> <p>“X” document of particular relevance; the claimed invention cannot be considered novel or cannot be considered to involve an inventive step when the document is taken alone</p> <p>“Y” document of particular relevance; the claimed invention cannot be considered to involve an inventive step when the document is combined with one or more other such documents, such combination being obvious to a person skilled in the art</p> <p>“&” document member of the same patent family</p>
-----------------------------------------------------------------------------------------------------------------------------------------------------------------------------------------------------------------------------------------------------------------------------------------------------------------------------------------------------------------------------------------------------------------------------------------------------------------------------------------------------------------------------------------------------------------------------------------------------------------------------------------------	-----------------------------------------------------------------------------------------------------------------------------------------------------------------------------------------------------------------------------------------------------------------------------------------------------------------------------------------------------------------------------------------------------------------------------------------------------------------------------------------------------------------------------------------------------------------------------------------------------------------------------------------------------------------------------------------------------------------

Date of the actual completion of the international search 01 June 2008 (01.06.2008)	Date of mailing of the international search report 07 JUL 2008
----------------------------------------------------------------------------------------	--------------------------------------------------------------------------

Name and mailing address of the ISA/US Mail Stop PCT, Attn: ISA/US Commissioner for Patents P.O. Box 1450 Alexandria, Virginia 22313-1450 Facsimile No. (571) 273-3201	Authorized officer /Timothy F. Simone/ <i>[Signature]</i> Telephone No. 571-272-1700 <i>[Signature]</i>
---------------------------------------------------------------------------------------------------------------------------------------------------------------------------------------	---------------------------------------------------------------------------------------------------------------