



- (51) International Patent Classification:
F41F 1/10 (2006.01)
- (21) International Application Number:
PCT/US2014/070391
- (22) International Filing Date:
15 December 2014 (15.12.2014)
- (25) Filing Language: English
- (26) Publication Language: English
- (30) Priority Data:
61/915,925 13 December 2013 (13.12.2013) US
- (71) Applicant: **PROFENSE, LLC** [US/US]; 142 West Deer Valley Road, Phoenix, AZ 85027 (US).
- (72) Inventors: **O'DONNELL, Arthur**; 1553 S. Malabar Lane, Gilbert, AZ 85296 (US). **DAY, Richard, Chad**; 4329 S. Rock Street, Gilbert, AZ 85297 (US).
- (74) Agent: **ONEY, Richard, E.**; Tiffany & Bosco, P.A., 2525 E. Camelback Road, 7th Floor, Phoenix, AZ 85016 (US).

- (81) Designated States (unless otherwise indicated, for every kind of national protection available): AE, AG, AL, AM, AO, AT, AU, AZ, BA, BB, BG, BH, BN, BR, BW, BY, BZ, CA, CH, CL, CN, CO, CR, CU, CZ, DE, DK, DM, DO, DZ, EC, EE, EG, ES, FI, GB, GD, GE, GH, GM, GT, HN, HR, HU, ID, IL, IN, IR, IS, JP, KE, KG, KN, KP, KR, KZ, LA, LC, LK, LR, LS, LU, LY, MA, MD, ME, MG, MK, MN, MW, MX, MY, MZ, NA, NG, NI, NO, NZ, OM, PA, PE, PG, PH, PL, PT, QA, RO, RS, RU, RW, SA, SC, SD, SE, SG, SK, SL, SM, ST, SV, SY, TH, TJ, TM, TN, TR, TT, TZ, UA, UG, US, UZ, VC, VN, ZA, ZM, ZW.
- (84) Designated States (unless otherwise indicated, for every kind of regional protection available): ARIPO (BW, GH, GM, KE, LR, LS, MW, MZ, NA, RW, SD, SL, ST, SZ, TZ, UG, ZM, ZW), Eurasian (AM, AZ, BY, KG, KZ, RU, TJ, TM), European (AL, AT, BE, BG, CH, CY, CZ, DE, DK, EE, ES, FI, FR, GB, GR, HR, HU, IE, IS, IT, LT, LU, LV, MC, MK, MT, NL, NO, PL, PT, RO, RS, SE, SI, SK, SM, TR), OAPI (BF, BJ, CF, CG, CI, CM, GA, GN, GQ, GW, KM, ML, MR, NE, SN, TD, TG).

[Continued on next page]

(54) Title: GUN CONTROL UNIT WITH COMPUTERIZED MULTI-FUNCTION DISPLAY

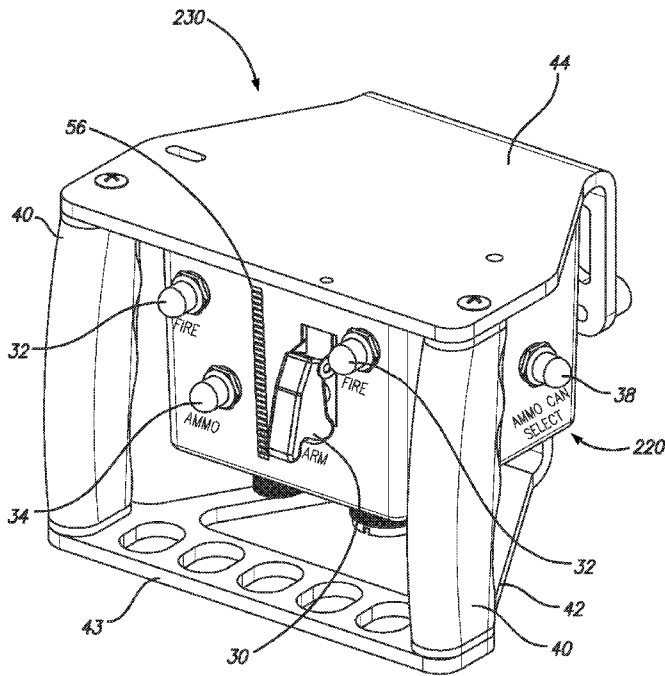


FIG. 2

(57) Abstract: An improved gun control unit for a minigun system includes a logic control module in communication with the minigun system, and a multi-function display for providing a visible display of information about the operation and status of the minigun system. The logic control module includes a processor coupled to the multi-function display, which processor is programmed to output a display signal to the display in response to status information received from the minigun system. The status information received from the minigun system can include: information for determining a count of rounds fired by the minigun system; information for determining a remaining level of ammunition; and/or information for trouble shooting the minigun system.





Declarations under Rule 4.17:

- *as to applicant's entitlement to apply for and be granted a patent (Rule 4.17(ii))*
- *of inventorship (Rule 4.17(iv))*

- *before the expiration of the time limit for amending the claims and to be republished in the event of receipt of amendments (Rule 48.2(h))*

(88) Date of publication of the international search report:

17 December 2015

Published:

- *with international search report (Art. 21(3))*

INTERNATIONAL SEARCH REPORT

International application No.

PCT/US2014/070391

A. CLASSIFICATION OF SUBJECT MATTER
 IPC(8) - F41F 1/10 (2015.01)
 CPC - F41F 1/10 (2015.07)
 According to International Patent Classification (IPC) or to both national classification and IPC

B. FIELDS SEARCHED
 Minimum documentation searched (classification system followed by classification symbols)
 IPC(8) - F41A 19/00, 27/18, 27/20, 27/28; F41F 1/10; F41G 3/22, 5/06, 5/14, 5/18, 5/20, 5/24, 9/00 (2015.01)

Documentation searched other than minimum documentation to the extent that such documents are included in the fields searched
 CPC - F41A 19/00, 27/18, 27/20, 27/28; F41F 1/10; F41G 3/22, 5/06, 5/14, 5/18, 5/20, 5/24, 9/00 (2015.07) (keyword delimited)
 USPC - 42/1.02, 1.03; 89/12, 41.03, 41.05; 235/400, 404, 405, 406

Electronic data base consulted during the international search (name of data base and, where practicable, search terms used)
 Orbit, Google Patents, Google.
 Search terms used: minigun, gatling, gun, fire, control, display, interface, ammunition, count, remaining, magazine

C. DOCUMENTS CONSIDERED TO BE RELEVANT

| Category* | Citation of document, with indication, where appropriate, of the relevant passages | Relevant to claim No. |
|-----------|--|-----------------------|
| X | US 5,949,015 A (SMITH et al) 07 September 1999 (07.09.1999) entire document | 1 |
| X | US 2010/0192759 A1 (GARWOOD) 05 August 2010 (05.08.2010) entire document | 1 |
| Y | | 2-14 |
| Y | US 2008/0039962 A1 (MCRAE) 14 February 2008 (14.02.2008) entire document | 2, 4-5, 8, 13 |
| Y | US 5,303,495 A (HARTHCOCK) 19 April 1994 (19.04.1994) entire document | 3, 6 |
| Y | US 5,735,070 A (VASQUEZ et al) 07 April 1998 (07.04.1998) entire document | 7 |
| Y | US 2011/0162245 A1 (KAMAL et al) 07 July 2011 (07.07.2011) entire document | 9-10 |
| Y | US 3,263,565 A (DRAGONETTI et al) 02 August 1966 (02.08.1966) entire document | 9, 11 |
| Y | US 2004/0050240 A1 (GREENE et al) 18 March 2004 (18.03.2004) entire document | 12 |
| Y | US 5,519,953 A (VILLANI) 28 May 1996 (28.05.1996) entire document | 14 |
| A | WO 2013/041956 A1 (OTO MELARA S.P.A.) 28 March 2013 (28.03.2013) entire document | 1-14 |
| A | US 5,456,157 A (LOUGHEED et al) 10 October 1995 (10.10.1995) entire document | 1-14 |

Further documents are listed in the continuation of Box C. See patent family annex.

* Special categories of cited documents:
 "A" document defining the general state of the art which is not considered to be of particular relevance
 "E" earlier application or patent but published on or after the international filing date
 "L" document which may throw doubts on priority claim(s) or which is cited to establish the publication date of another citation or other special reason (as specified)
 "O" document referring to an oral disclosure, use, exhibition or other means
 "P" document published prior to the international filing date but later than the priority date claimed
 "T" later document published after the international filing date or priority date and not in conflict with the application but cited to understand the principle or theory underlying the invention
 "X" document of particular relevance; the claimed invention cannot be considered novel or cannot be considered to involve an inventive step when the document is taken alone
 "Y" document of particular relevance; the claimed invention cannot be considered to involve an inventive step when the document is combined with one or more other such documents, such combination being obvious to a person skilled in the art
 "&" document member of the same patent family

Date of the actual completion of the international search: 31 July 2015
 Date of mailing of the international search report: 07 OCT 2015

Name and mailing address of the ISA/
 Mail Stop PCT, Attn: ISA/US, Commissioner for Patents
 P.O. Box 1450, Alexandria, Virginia 22313-1450
 Facsimile No. 571-273-8300
 Authorized officer: Blaine Copenheaver
 PCT Helpdesk: 571-272-4300
 PCT OSP: 571-272-7774