



US0D1064720S

(12) **United States Design Patent**
Bouhours

(10) **Patent No.:** **US D1,064,720 S**

(45) **Date of Patent:** **** Mar. 4, 2025**

(54) **FOOD PROCESSOR**

FOREIGN PATENT DOCUMENTS

(71) Applicant: **BEABA**, Paris (FR)

RU 00085122 * 5/2013
WO D224123-001 * 7/2023

(72) Inventor: **Rodolphe Bouhours**, Port (FR)

OTHER PUBLICATIONS

(**) Term: **15 Years**

(21) Appl. No.: **35/517,698**

Nordstorm Beaba Babycook Express, date of oldest review Feb. 23, 2023 [online], [retrieved Feb. 20, 2024]. Retrieved from internet, <https://www.nordstrom.com/s/beaba-babycook-express-baby-food-maker/7379115> (Year: 2023).*

(22) Filed: **Jul. 7, 2022**

(Continued)

(80) **Hague Agreement Data**

Int. Filing Date: **Jul. 7, 2022**
Int. Reg. No.: **DM/224123**
Int. Reg. Date: **Jul. 7, 2022**
Int. Reg. Pub. Date: **Jul. 7, 2023**

Primary Examiner — Nicole C Shiflet
Assistant Examiner — Yen Le Southwood

(51) **LOC (15) Cl.** **31-00**

(52) **U.S. Cl.**
USPC **D7/384**

(57) **CLAIM**

The ornamental design for a food processor as shown and described.

(58) **Field of Classification Search**

USPC D7/323, 337, 354, 357, 358, 376, 377,
D7/378, 381, 382, 383, 384, 386, 326,
D7/309, 355, 629, 356, 361, 365
CPC A47J 27/00; A47J 27/12; A47J 27/122; A47J
43/04; A47J 43/044; A47J 43/046; A47J
43/0716; A47J 43/0722; A47J 43/082;
A47J 43/085; A47J 27/004; A47J 27/04;
A47J 36/24; A47J 36/2483; A47J 36/321;
A47J 44/00; A47J 44/02; A47J 2027/043;
A47J 43/0727; A47J 43/07

DESCRIPTION

- 1. Food processor
- 1.1** : Front
- 1.2** : Back
- 1.3** : Top
- 1.4** : Bottom
- 1.5** : Right
- 1.6** : Left

See application file for complete search history.

The broken lines depict portions of the food processor that form no part of the claimed design.

The design represents an electric food processor for mixing, cooking or heating meals, particularly for children; It is characterized as follows, namely, by a base, a bowl, a working container with handle but also an integrated spatula; the working container is cylindrical; a control device is featured on the front part of the bowl but also a pouring spout at the level of the working container; the handle of the working container is arc-shaped; a removable spatula is fixed on the left side of the working container; several rows of ventilation holes are featured on the rear part of the bowl.

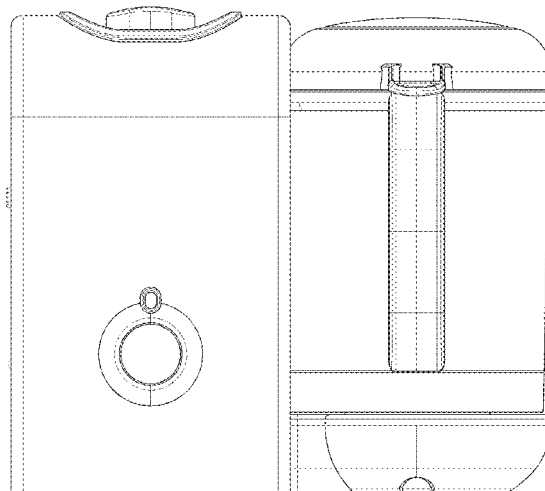
(56) **References Cited**

U.S. PATENT DOCUMENTS

D323,763 S * 2/1992 Barrault D7/381
D338,803 S * 8/1993 Littmann D7/384
D661,157 S * 6/2012 Vulliermet D7/378
D843,776 S * 3/2019 Sandberg D7/378
D846,341 S * 4/2019 Smith D7/378
D894,662 S * 9/2020 Beneteau D7/326

(Continued)

1 Claim, 6 Drawing Sheets



(56)

References Cited

U.S. PATENT DOCUMENTS

D932,227 S * 10/2021 Papiernik D7/326
2012/0181363 A1 * 7/2012 Huang A47J 27/004
241/100
2018/0110373 A1 * 4/2018 Zhang A47J 43/0716
2022/0354308 A1 * 11/2022 Longoria A47J 43/0727

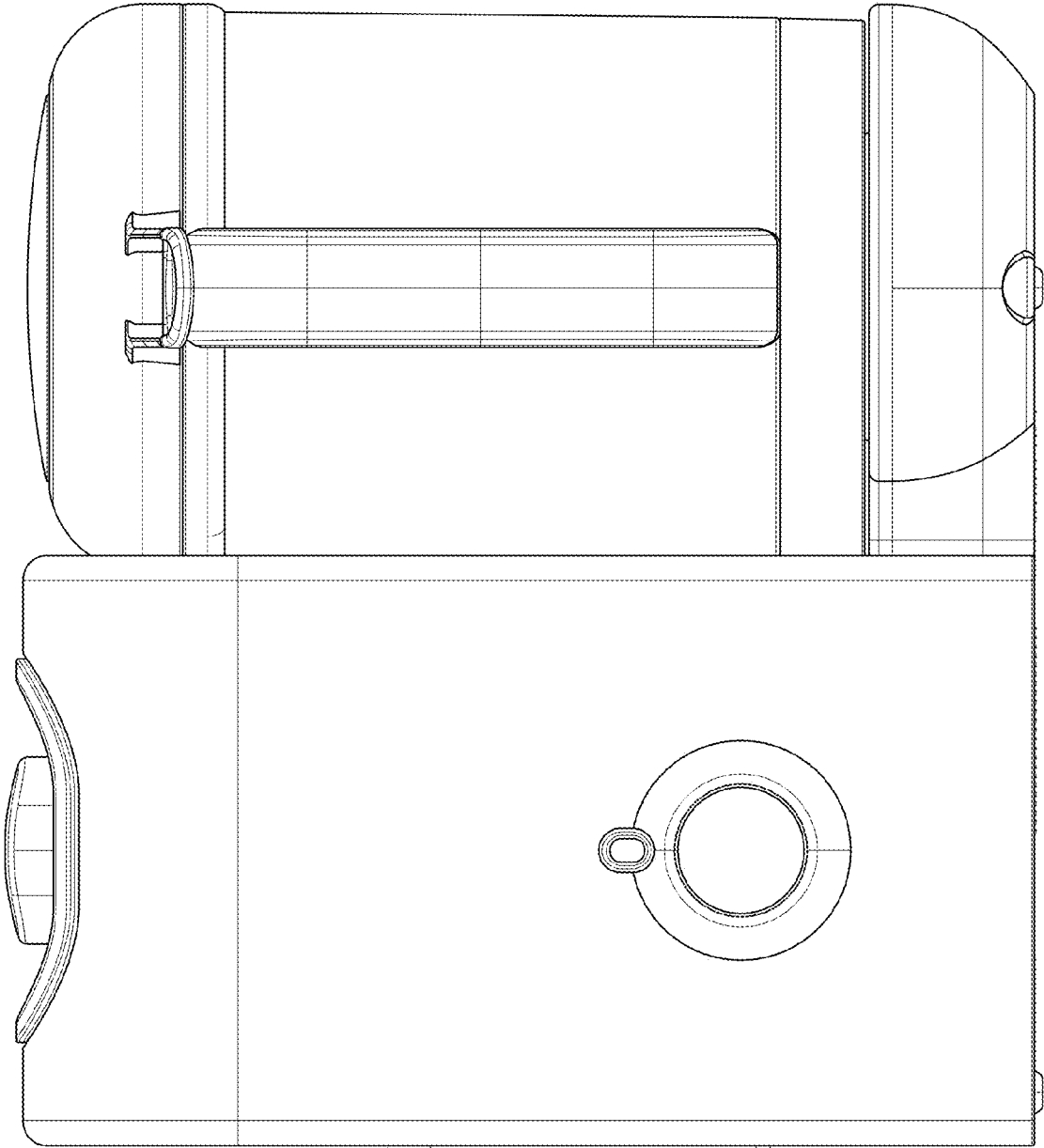
OTHER PUBLICATIONS

Beaba Babycook Express, posted Jan. 13, 2023 [online], [retrieved Feb. 20, 2024]. Retrieved from internet, <https://www.amazon.com/BEABA-Babycook-Express-Processor-Essentials/dp/B0BS796391> (Year: 2023).*

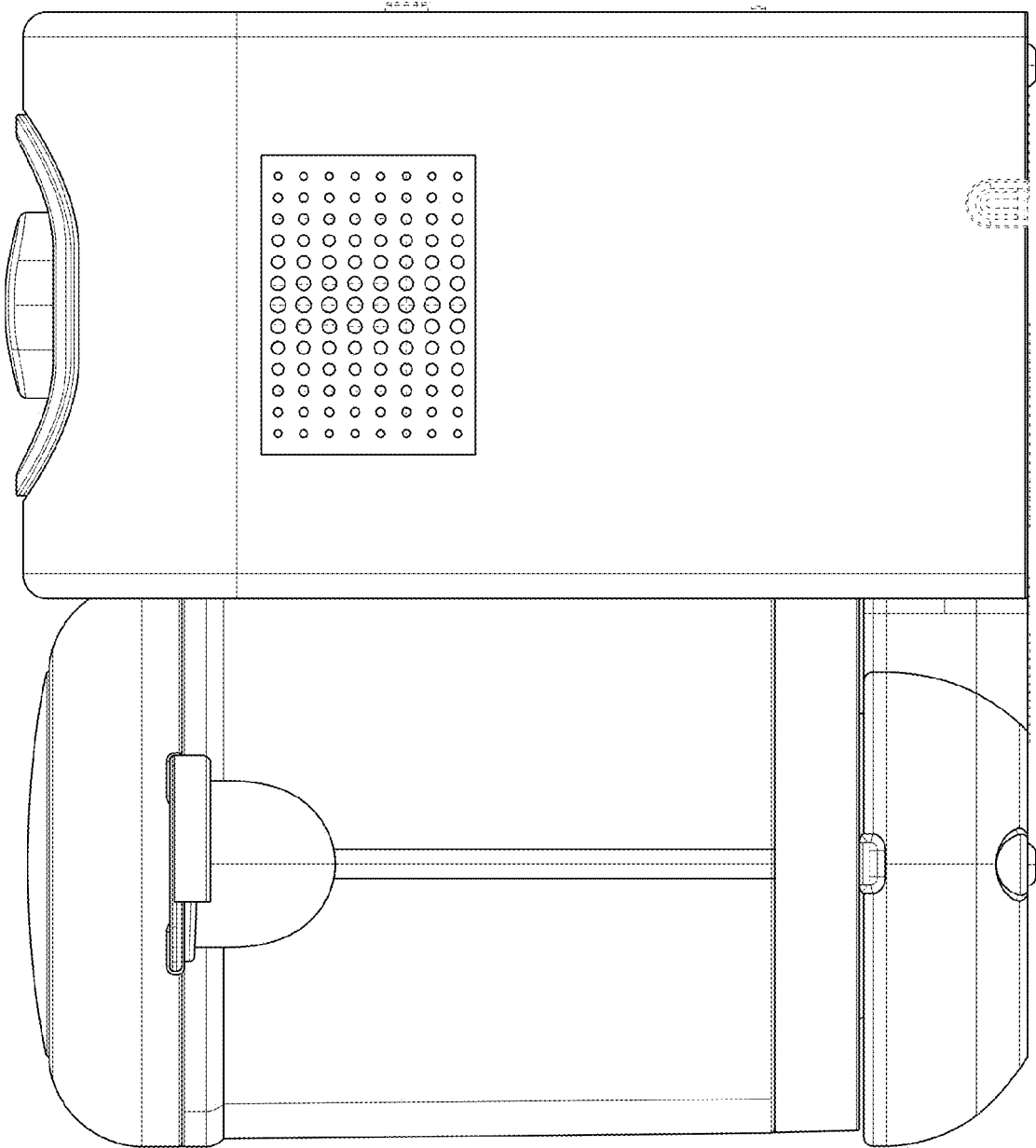
Beaba Babycook Neo, posted May 15, 2019 [online], [retrieved Feb. 20, 2024]. Retrieved from internet, <https://www.amazon.com/dp/B07RL8HP3W/> (Year: 2019).*

Beaba Babycook Solo, posted date unknown [online], [retrieved Feb. 20, 2024]. Retrieved from internet, <https://www.amazon.com/dp/B09DR3QDVF4/>.*

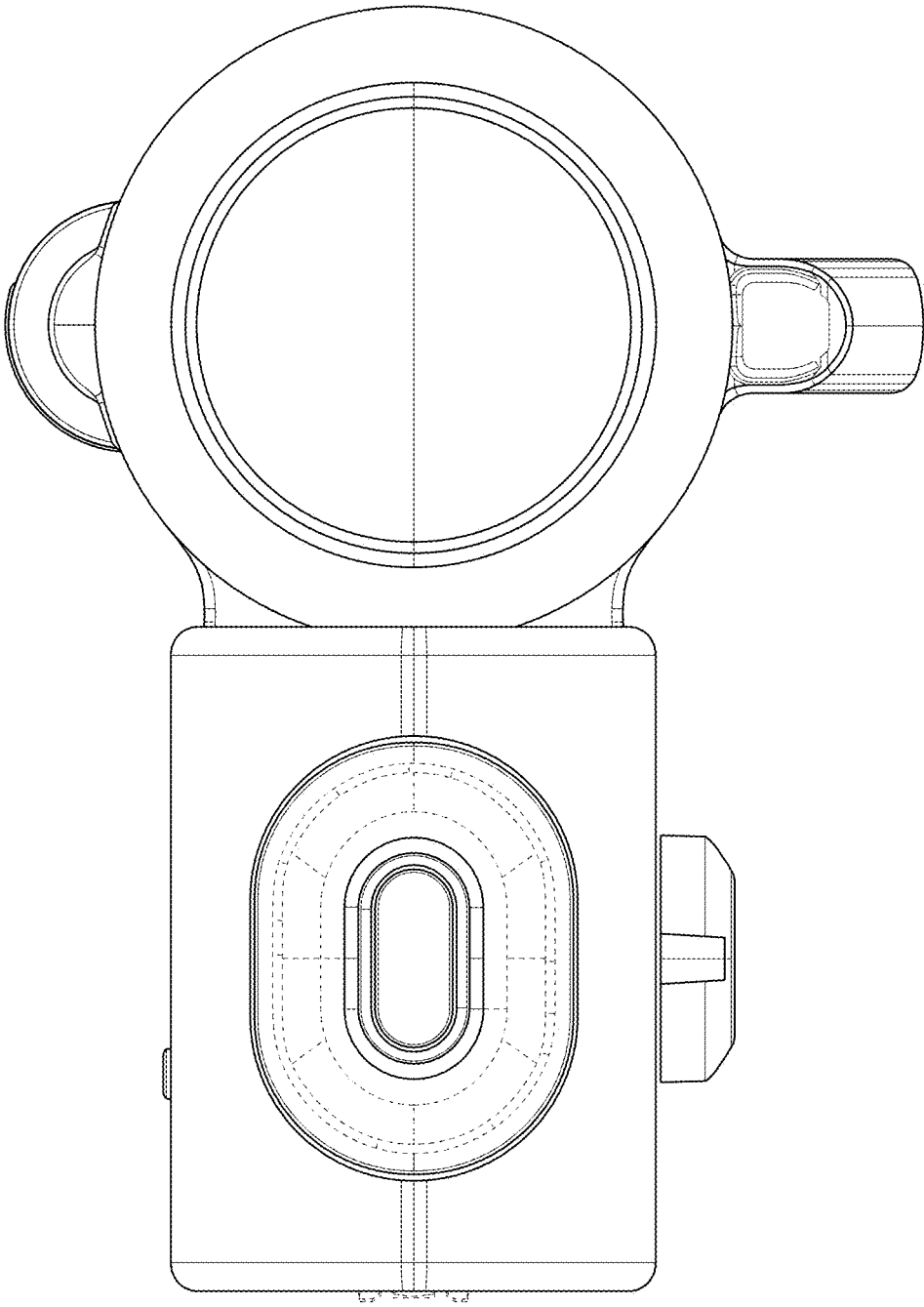
* cited by examiner



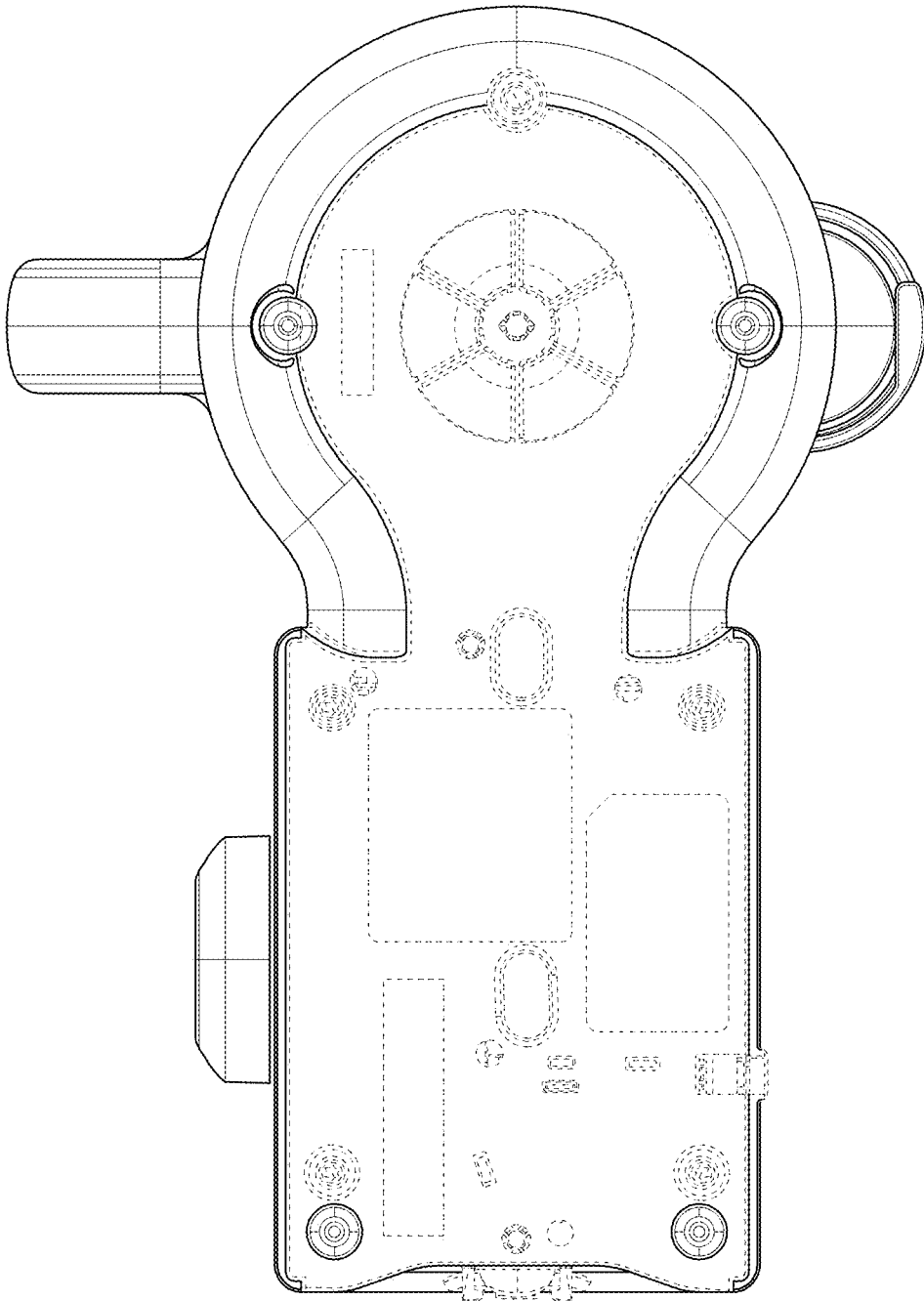
1.1



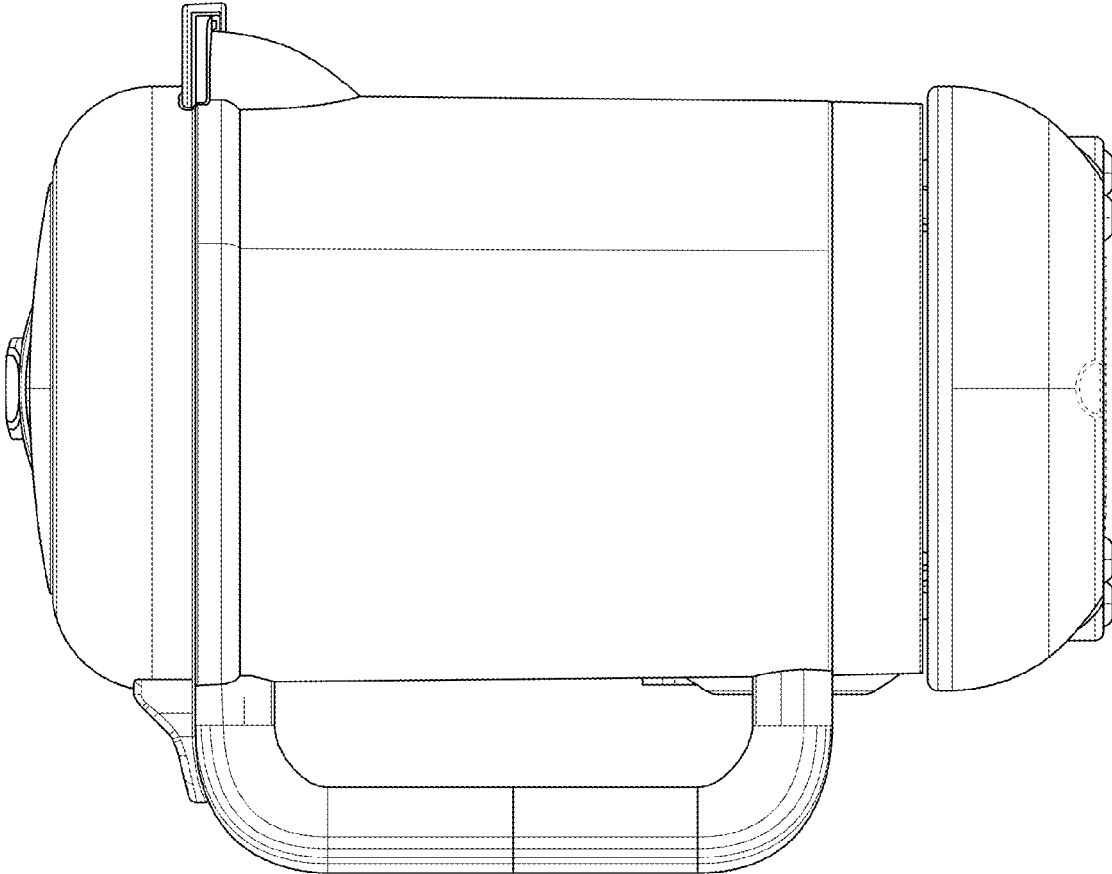
1.2



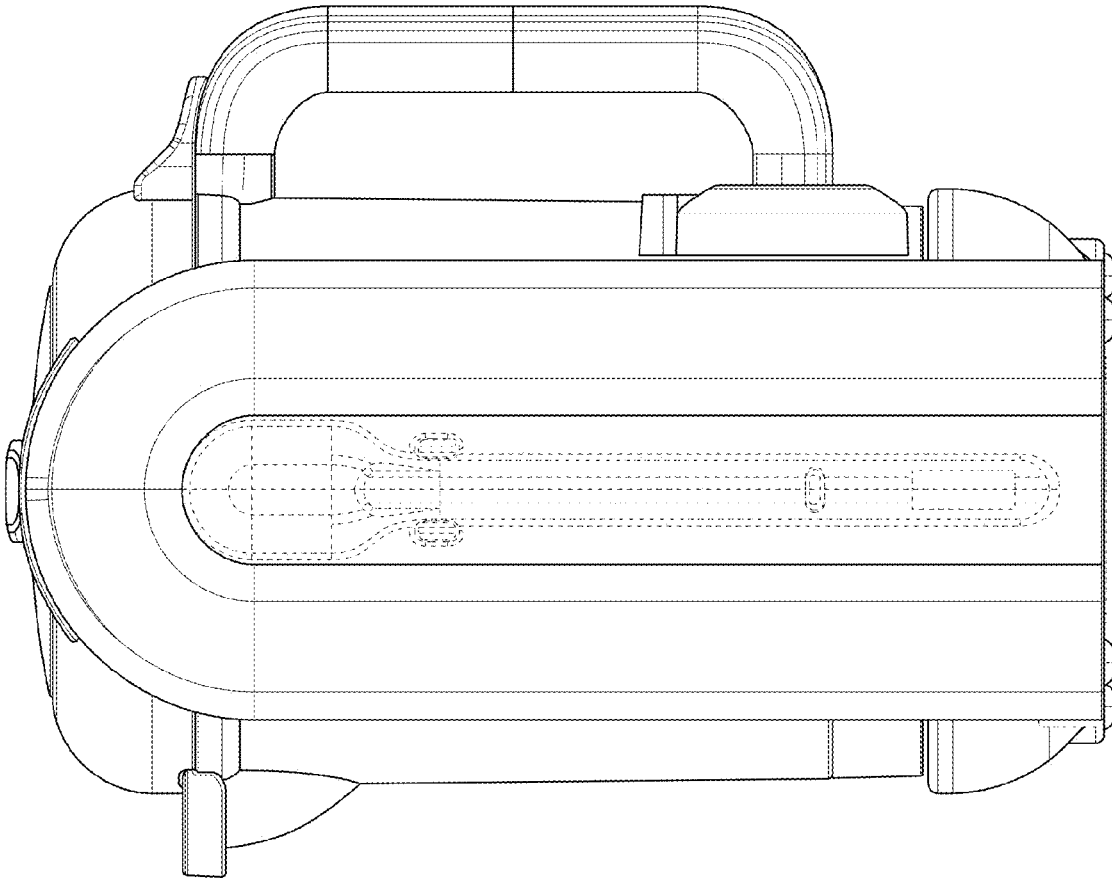
1.3



1.4



1.5



1.6