



US00D827369S

(12) **United States Design Patent** (10) **Patent No.:** **US D827,369 S**
Kim et al. (45) **Date of Patent:** **** Sep. 4, 2018**

(54) **MICROWAVE OVEN**

(56) **References Cited**

(71) Applicant: **LG ELECTRONICS INC.**, Seoul (KR)
(72) Inventors: **Sooyeon Kim**, Seoul (KR); **Hanjin Jung**, Seoul (KR); **Inhwan Ryu**, Seoul (KR)
(73) Assignee: **LG ELECTRONICS INC.**, Seoul (KR)
(**) Term: **15 Years**
(21) Appl. No.: **35/503,022**
(22) Filed: **Nov. 25, 2016**

U.S. PATENT DOCUMENTS

D540,108	S	*	4/2007	Kim	D7/351
D565,341	S	*	4/2008	Jeon	D7/351
D669,298	S	*	10/2012	Tonon	D7/350.1
D704,499	S	*	5/2014	Kim	D7/351
D708,469	S	*	7/2014	Kim	D7/351
D712,694	S	*	9/2014	Kim	D7/351
D717,581	S	*	11/2014	Kim	D7/351
D761,620	S	*	7/2016	Kim	D7/405
D762,416	S	*	8/2016	Kim	D7/405
D764,229	S	*	8/2016	Chung	D7/405
D772,007	S	*	11/2016	Kim	D7/405
D772,638	S	*	11/2016	Kim	D7/351
D772,639	S	*	11/2016	Kim	D7/351
D772,645	S	*	11/2016	Kim	D7/405

(Continued)

(80) **Hague Agreement Data**

Int. Filing Date: **Nov. 25, 2016**
Int. Reg. No.: **DM/093699**
Int. Reg. Date: **Nov. 25, 2016**
Int. Reg. Pub. Date: **May 26, 2017**

Primary Examiner — Darlington Ly

(74) *Attorney, Agent, or Firm* — Birch, Stewart, Kolasch & Birch, LLP

(30) **Foreign Application Priority Data**

Jun. 14, 2016 (KR) 30-2016-0028683

(51) **LOC (11) Cl.** **07-02**

(52) **U.S. Cl.**
USPC **D7/405**

(58) **Field of Classification Search**

USPC D7/339-341, 346-349, 350.1, 351, D7/402-408; D6/300, 657, 660-661, D6/663; D15/81; D23/354, 370-371, D23/386-388, 392; D25/48.1, 55; D32/2, 3, 6, 8
CPC .. A47F 3/00; A47F 3/005; A47F 88/00; F24B 5/08; F24C 3/027; F24C 3/085; F24C 7/00; F24C 7/06; F24C 14/02; F24C 15/10; F24C 15/12; H05B 6/666; H05B 6/725; H05B 6/72; H05B 6/766; H05B 6/782

See application file for complete search history.

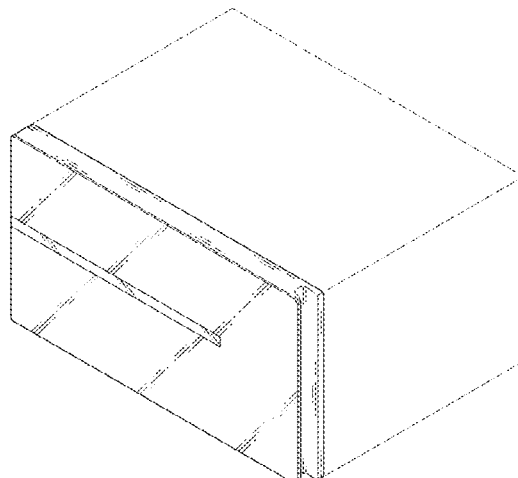
(57) **CLAIM**

The ornamental design for a microwave oven, as shown and described.

DESCRIPTION

1. Microwave oven
1.1 is a top, front, and right side perspective view of a microwave oven showing our new design;
1.2 is a front elevation view thereof;
1.3 is a rear elevation view thereof;
1.4 is a left side elevation view thereof;
1.5 is a right side elevation view thereof;
1.6 is a top plan view thereof;
1.7 is a bottom plan view thereof; and
1.8 is a top, front, and right side perspective view thereof in which an exemplary user interface is shown on display.
The broken lines in the reproductions illustrate portions of the microwave oven that form no part of the claimed design.

1 Claim, 8 Drawing Sheets



(56)

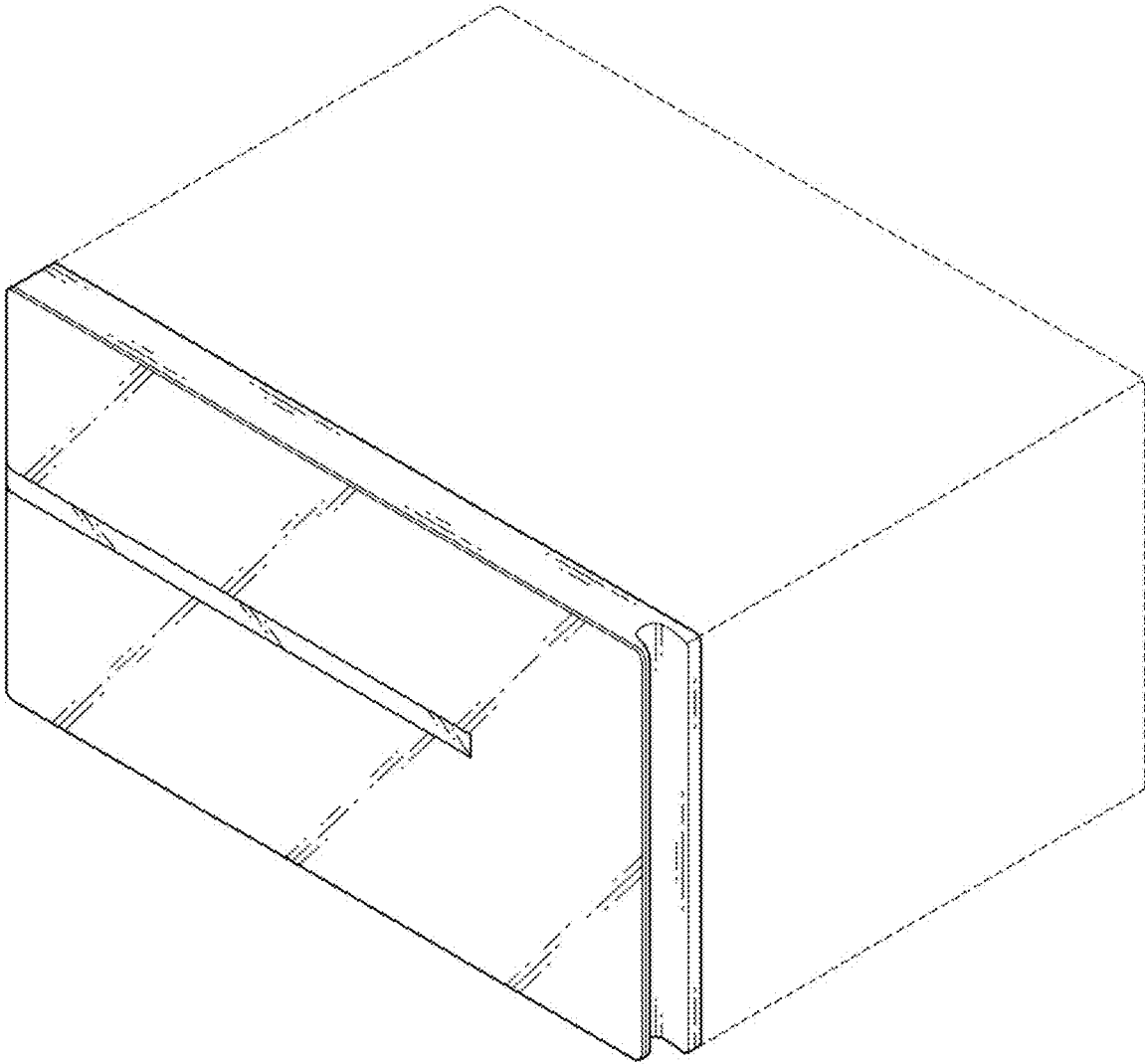
References Cited

U.S. PATENT DOCUMENTS

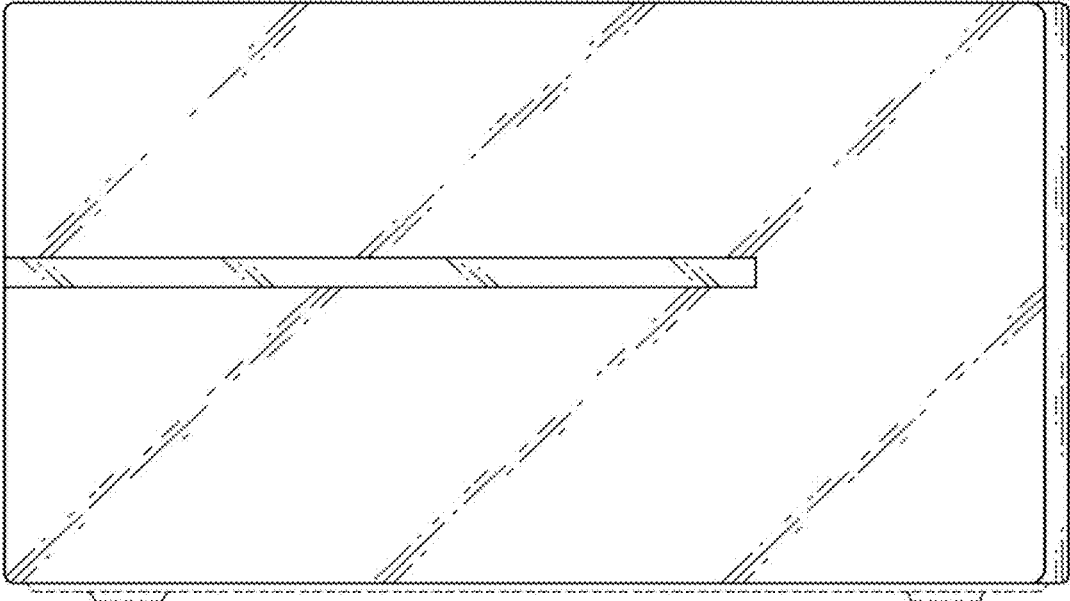
D772,646	S *	11/2016	Kim	D7/405
D773,235	S *	12/2016	Chung	D7/351
D774,355	S *	12/2016	Roberson	D7/406
D778,671	S *	2/2017	Suh	D7/351
D779,263	S *	2/2017	Suh	D7/351
D779,264	S *	2/2017	Suh	D7/351
D779,876	S *	2/2017	Chung	D7/405
D781,638	S *	3/2017	Chung	D7/351
D783,350	S *	4/2017	Suh	D7/351
D792,740	S *	7/2017	Green	D7/405
9,907,122	B2 *	2/2018	Himmelein	H05B 6/763
2015/0305095	A1 *	10/2015	Huang	H05B 6/6423
					219/757
2017/0086263	A1 *	3/2017	Zhou	H05B 6/6417
2017/0257914	A1 *	9/2017	Nikishov	H05B 6/72
2018/0035495	A1 *	2/2018	Millett	H05B 6/666

* cited by examiner

1.1



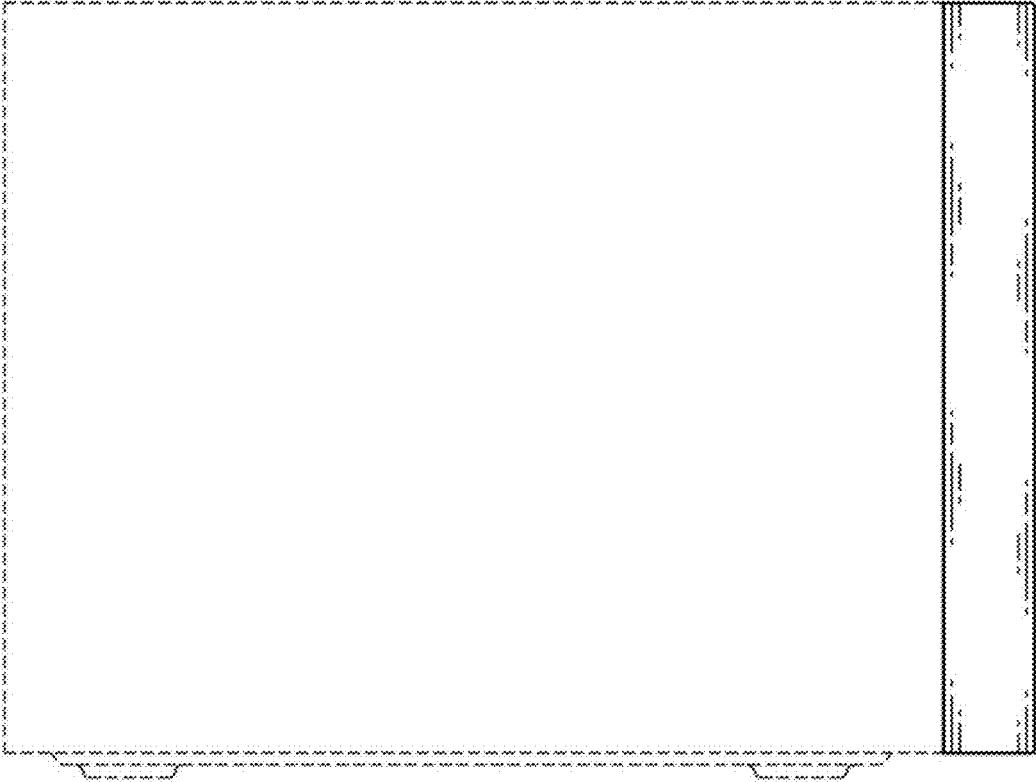
1.2



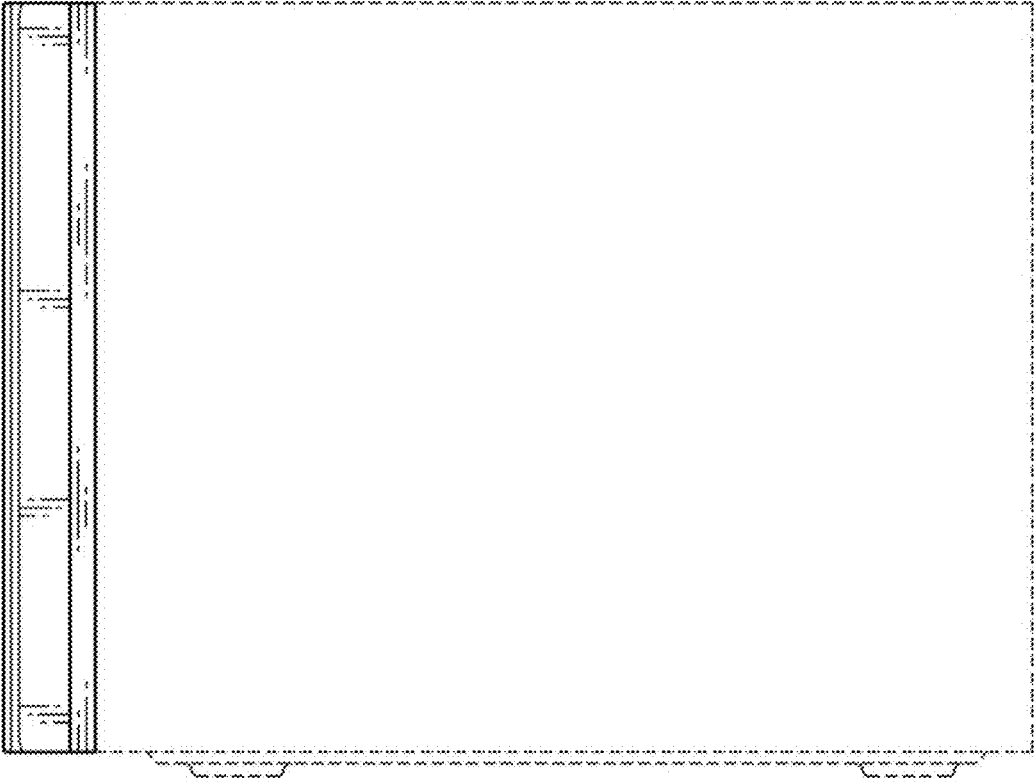
1.3



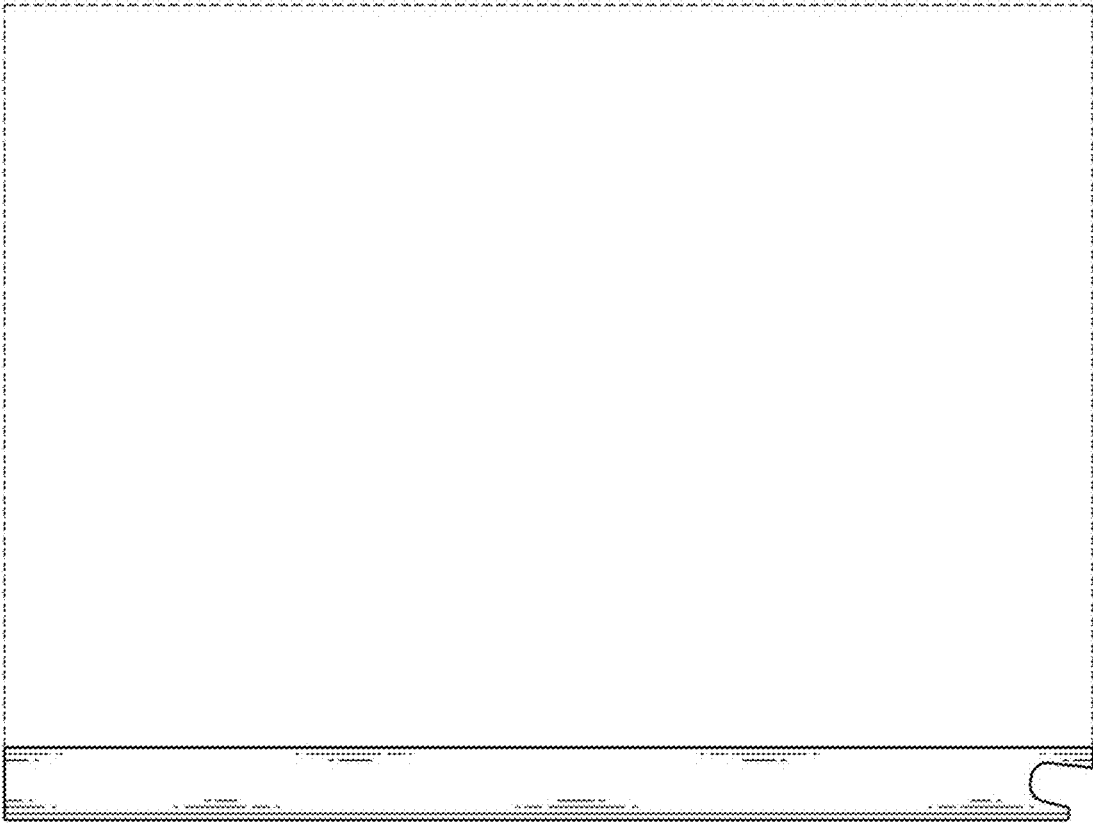
1.4



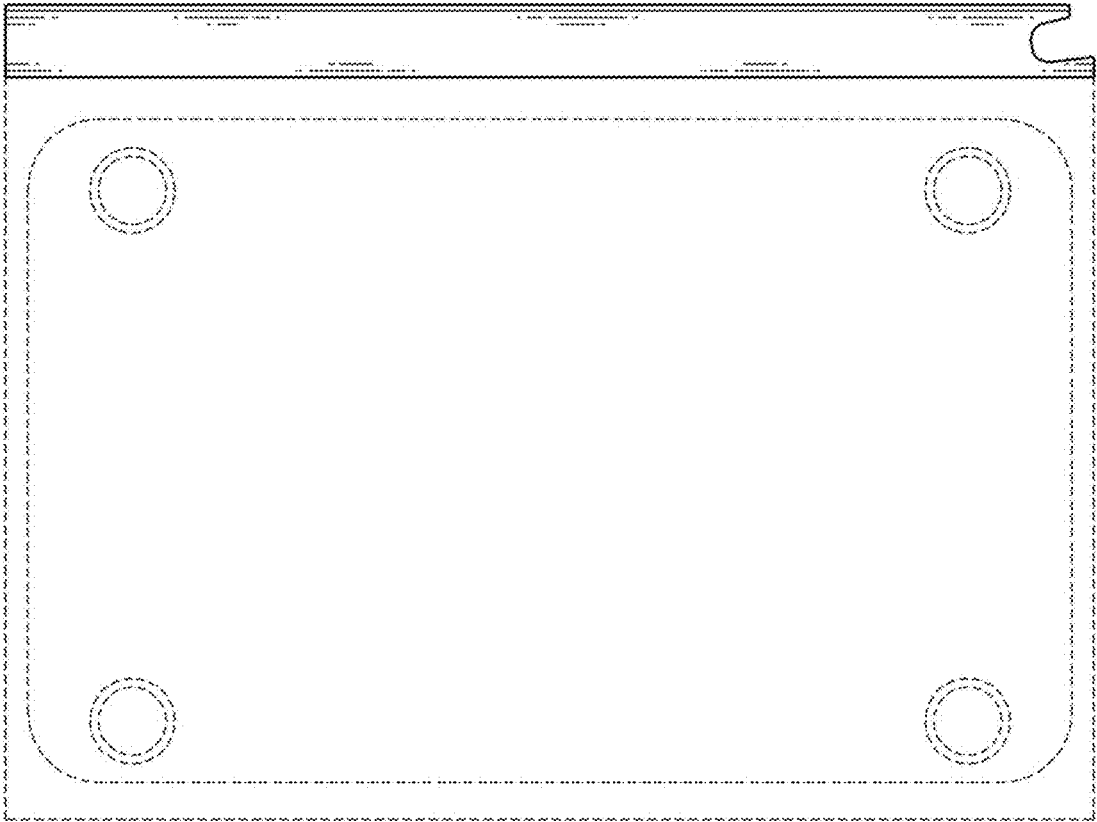
1.5



1.6



1.7



1.8

