



(43) International Publication Date
20 December 2012 (20.12.2012)

- (51) International Patent Classification:
G02B 27/22 (2006.01) H04N 13/04 (2006.01)
- (21) International Application Number:
PCT/US2012/042538
- (22) International Filing Date:
14 June 2012 (14.06.2012)
- (25) Filing Language:
English
- (26) Publication Language:
English
- (30) Priority Data:
61/496,629 14 June 2011 (14.06.2011) US
- (71) Applicant (for all designated States except US): **REALD INC.** [US/US]; 100 North Crescent Drive, Suite 200, Beverly Hills, CA 90210 (US).
- (72) Inventors; and
- (75) Inventors/Applicants (for US only): **ROBINSON, Michael, G.** [GB/US]; 100 North Crescent Drive, Suite 200, Beverly Hills, CA 90210 (US). **CHEN, Jianmin** [US/US];

100 North Crescent Drive, Suite 200, Beverly Hills, CA 90210 (US). **SHARP, Gary, D.** [US/US]; 100 North Crescent Drive, Suite 200, Beverly Hills, CA 90210 (US).

(74) Agent: **YANG, Charles, C.**; Baker & McKenzie LLP, 2001 Ross Avenue, Suite 2300, Dallas, TX 75201 (US).

(81) Designated States (unless otherwise indicated, for every kind of national protection available): AE, AG, AL, AM, AO, AT, AU, AZ, BA, BB, BG, BH, BR, BW, BY, BZ, CA, CH, CL, CN, CO, CR, CU, CZ, DE, DK, DM, DO, DZ, EC, EE, EG, ES, FI, GB, GD, GE, GH, GM, GT, HN, HR, HU, ID, IL, IN, IS, JP, KE, KG, KM, KN, KP, KR, KZ, LA, LC, LK, LR, LS, LT, LU, LY, MA, MD, ME, MG, MK, MN, MW, MX, MY, MZ, NA, NG, NI, NO, NZ, OM, PE, PG, PH, PL, PT, QA, RO, RS, RU, RW, SC, SD, SE, SG, SK, SL, SM, ST, SV, SY, TH, TJ, TM, TN, TR, TT, TZ, UA, UG, US, UZ, VC, VN, ZA, ZM, ZW.

(84) Designated States (unless otherwise indicated, for every kind of regional protection available): ARIPO (BW, GH, GM, KE, LR, LS, MW, MZ, NA, RW, SD, SL, SZ, TZ, UG, ZM, ZW), Eurasian (AM, AZ, BY, KG, KZ, RU, TJ,

[Continued on next page]

(54) Title: IN-PLANE SWITCHED ACTIVE RETARDER FOR STEREOSCOPIC DISPLAY SYSTEMS

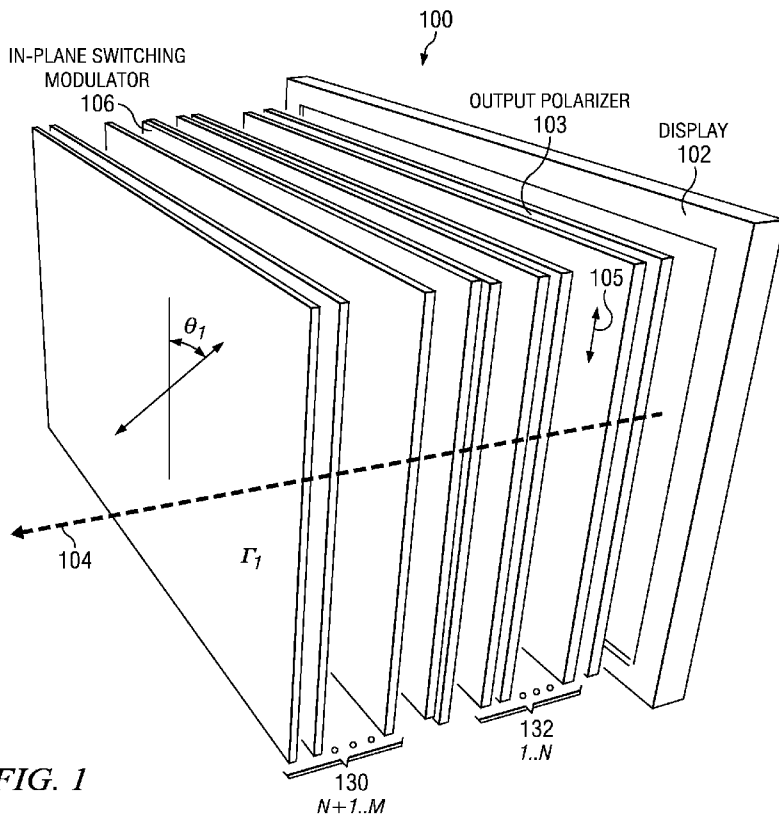
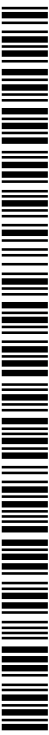


FIG. 1

(57) Abstract: Polarization modulation with in-plane switching of liquid crystals (LCs) may be used in active retarder stereoscopic display systems where viewers wear passive eyewear to see isolated left and right eye images. Embodiments of the present disclosure may include nematic LC or fast switching ferroelectric liquid crystal (FLC), depending on the desired performance.





TM), European (AL, AT, BE, BG, CH, CY, CZ, DE, DK, EE, ES, FI, FR, GB, GR, HR, HU, IE, IS, IT, LT, LU, LV, MC, MK, MT, NL, NO, PL, PT, RO, RS, SE, SI, SK, SM, TR), OAPI (BF, BJ, CF, CG, CI, CM, GA, GN, GQ, GW, ML, MR, NE, SN, TD, TG).

— *before the expiration of the time limit for amending the claims and to be republished in the event of receipt of amendments (Rule 48.2(h))*

(88) Date of publication of the international search report:
11 April 2013

Published:

— *with international search report (Art. 21(3))*

INTERNATIONAL SEARCH REPORT

International application No.
PCT/US2012/042538**A. CLASSIFICATION OF SUBJECT MATTER****G02B 27/22(2006.01)i, H04N 13/04(2006.01)i**

According to International Patent Classification (IPC) or to both national classification and IPC

B. FIELDS SEARCHED

Minimum documentation searched (classification system followed by classification symbols)

G02B 27/22; H04N 13/00; G02F 1/00; G03B 21/14; G02F 1/1335; G02B 27/26

Documentation searched other than minimum documentation to the extent that such documents are included in the fields searched

Korean utility models and applications for utility models

Japanese utility models and applications for utility models

Electronic data base consulted during the international search (name of data base and, where practicable, search terms used)

eKOMPASS(KIPO internal) & keywords: stereoscopic display, in-plane switching, passive retarder, polarization modulator

C. DOCUMENTS CONSIDERED TO BE RELEVANT

Category*	Citation of document, with indication, where appropriate, of the relevant passages	Relevant to claim No.
X	US 5993004 A (MOSELEY et al.) 30 November 1999 See abstract, column 5, lines 35-56, column 7, line 12 - column 8, line 67	1,8-9,11-17
Y A	and figure 6.	2-3,6-7,10,18-20 21-22
Y	US 2006-0291053 A1 (ROBINSON et al.) 28 December 2006 See abstract, paragraphs [0045], [0050], [0067], [0076] and figures 4a, 5a.	2-3,6,10
Y	US 2008-0246897 A1 (GAUDREAU) 09 October 2008 See abstract, paragraph [0005] and figure 7.	7
Y	US 2007-0206155 A1 (LIPTON) 06 September 2007 See abstract and paragraph [0029], [0033].	18-20
A	KR 10-1999-0066082 A (SAMSUNG ELECTRONICS CO., LTD.) 16 August 1999 See abstract and figure 1.	1-22

 Further documents are listed in the continuation of Box C. See patent family annex.

* Special categories of cited documents:

"A" document defining the general state of the art which is not considered to be of particular relevance

"E" earlier application or patent but published on or after the international filing date

"L" document which may throw doubts on priority claim(s) or which is cited to establish the publication date of citation or other special reason (as specified)

"O" document referring to an oral disclosure, use, exhibition or other means

"P" document published prior to the international filing date but later than the priority date claimed

"T" later document published after the international filing date or priority date and not in conflict with the application but cited to understand the principle or theory underlying the invention

"X" document of particular relevance; the claimed invention cannot be considered novel or cannot be considered to involve an inventive step when the document is taken alone

"Y" document of particular relevance; the claimed invention cannot be considered to involve an inventive step when the document is combined with one or more other such documents, such combination being obvious to a person skilled in the art

"&" document member of the same patent family

Date of the actual completion of the international search

29 JANUARY 2013 (29.01.2013)

Date of mailing of the international search report

30 JANUARY 2013 (30.01.2013)

Name and mailing address of the ISA/KR



Facsimile No. 82-42-472-7140

Authorized officer

KANG Sung Chul

Telephone No. 82-42-481-8405



INTERNATIONAL SEARCH REPORT

Information on patent family members

International application No.

PCT/US2012/042538

Patent document cited in search report	Publication date	Patent family member(s)	Publication date
US 5993004 A	30.11.1999	EP 0831353 A1	25.03.1998
		EP 0831353 B1	11.08.2004
		GB 2317524 A	25.03.1998
		JP 10-142557 A	29.05.1998
		JP 3452470 B2	29.09.2003
US 2006-0291053 A1	28.12.2006	EP 1977283 A2	08.10.2008
		EP 1977283 A4	06.04.2011
		JP 2009-524106 A	25.06.2009
		US 7528906 B2	05.05.2009
		WO 2007-086952 A2	02.08.2007
		WO 2007-086952 A3	11.10.2007
US 2008-0246897 A1	09.10.2008	CN 1930605 A	14.03.2007
		CN 1930605 B	05.05.2010
		CN 1930605 C	05.05.2010
		CN 1930605 C0	14.03.2007
		EP 1709623 A1	11.10.2006
		EP 1709623 A4	03.11.2010
		EP 1709623 B1	11.07.2012
		JP 2007-519042 A	12.07.2007
		KR 10-1135757 B1	24.04.2012
		KR 10-2006-0134070 A	27.12.2006
		US 7705935 B2	27.04.2010
WO 2005-069269 A1	28.07.2005		
US 2007-0206155 A1	06.09.2007	EP 1991908 A2	19.11.2008
		EP 1991908 A4	28.10.2009
		JP 2009-529149 A	13.08.2009
		KR 10-2008-0107447 A	10.12.2008
		WO 2007-103157 A2	13.09.2007
		WO 2007-103157 A3	02.04.2009
KR 10-1999-0066082 A	16.08.1999	None	