



(12) **United States Design Patent**
Kazaoka

(10) **Patent No.:** **US D858,590 S**
(45) **Date of Patent:** **** Sep. 3, 2019**

(54) **MACHINE TOOL**
(71) Applicant: **Mitsubishi Heavy Industries Machine Tool Co., Ltd.,** Ritto-shi, Shiga (JP)
(72) Inventor: **Naoki Kazaoka,** Tokyo (JP)
(73) Assignee: **MITSUBISHI HEAVY INDUSTRIES MACHINE TOOL CO., LTD.,** Ritto-Shi, Shiga (JP)
(**) Term: **15 Years**
(21) Appl. No.: **29/611,172**
(22) Filed: **Jul. 19, 2017**

(30) **Foreign Application Priority Data**
Feb. 28, 2017 (JP) 2017-003908

(51) **LOC (12) Cl.** **15-09**
(52) **U.S. Cl.**
USPC **D15/122; D15/127**

(58) **Field of Classification Search**
USPC D9/414, 423, 432; D10/46, 47, 61, 81, D10/100, 104.1; D14/299-302, 313, 314, D14/902; D15/122, 124-127, 131, 199; D24/107, 121, 162, 163, 186, 216, D24/223-226, 231, 232, 234
CPC B23F 5/20; B23F 23/1243; B23Q 1/01; B23Q 1/03; B23Q 1/26; B23Q 3/10; B23Q 11/08; B23Q 11/0891; B23Q 11/0042; B23Q 15/007; B23Q 17/00; B23Q 17/007; B23Q 39/024
See application file for complete search history.

(56) **References Cited**
U.S. PATENT DOCUMENTS
D288,542 S * 3/1987 Tsuyama D10/98
D445,807 S * 7/2001 Baulk D15/127

D472,250 S * 3/2003 Mariotta D15/127
D511,067 S * 11/2005 Johansson D7/377
D554,069 S * 10/2007 Bolotin D13/162
D554,070 S * 10/2007 Bolotin D13/162
D599,688 S * 9/2009 Ito D10/81
D620,508 S * 7/2010 Jacquet D15/122
D627,375 S * 11/2010 Jacquet D15/122
D633,096 S * 2/2011 Corcoran D14/480.1
D637,098 S * 5/2011 Oonuma D10/75
D638,449 S * 5/2011 Schindler D15/122
D651,620 S * 1/2012 Schindler D15/122
D654,099 S * 2/2012 Schindler D15/122
D655,824 S * 3/2012 Tsutsumida D24/216
D666,637 S * 9/2012 Mueller D15/122
D671,969 S * 12/2012 Yang D15/122
D680,563 S * 4/2013 Yang D15/122
D681,229 S * 4/2013 Henssler D24/219
D682,441 S * 5/2013 Kim D24/216
D695,289 S * 12/2013 Yamazaki D14/364
D696,315 S * 12/2013 Schmid D15/122
D718,795 S * 12/2014 Schonherr D15/122
D719,666 S * 12/2014 Manian D24/216
D719,671 S * 12/2014 Nishikawa D24/216

(Continued)

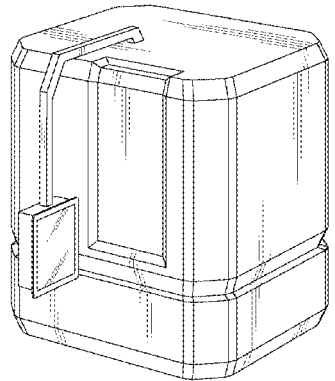
Primary Examiner — Garth Rademaker
Assistant Examiner — Fritzgerald L Butac
(74) *Attorney, Agent, or Firm* — Birch, Stewart, Kolasch & Birch, LLP

(57) **CLAIM**
The ornamental design for a machine tool, as shown and described.

DESCRIPTION

FIG. 1 is a perspective view of a machine tool.
FIG. 2 is a front elevation view thereof.
FIG. 3 is a rear elevation view thereof.
FIG. 4 is a right side elevation view thereof.
FIG. 5 is a left side elevation view thereof.
FIG. 6 is a top plan view thereof; and,
FIG. 7 is a bottom plan view thereof.

1 Claim, 7 Drawing Sheets



(56)

References Cited

U.S. PATENT DOCUMENTS

D726,789 S * 4/2015 Schmid D15/122
D734,787 S * 7/2015 Schonherr D15/122
D745,070 S * 12/2015 Schindler D15/122
D747,227 S * 1/2016 Fujiwara D10/81
D748,271 S * 1/2016 Clowry D24/186
D748,273 S * 1/2016 Chang D24/186
D754,763 S * 4/2016 Kraibuhler D15/122
D759,517 S * 6/2016 Kawai D10/75
D774,205 S * 12/2016 Grace D24/169
D781,357 S * 3/2017 Inaba D15/122
D793,860 S * 8/2017 Keller D9/431
D794,211 S * 8/2017 Ang D24/232
D796,358 S * 9/2017 Abbott D10/81
D817,959 S * 5/2018 Varotto D14/384
10,031,508 B2 * 7/2018 Tanizawa B23Q 15/24
D825,776 S * 8/2018 Quick D24/232
D832,253 S * 10/2018 Delibie D14/358
D835,162 S * 12/2018 Reches D15/122
D837,211 S * 1/2019 Peng D14/365
D837,271 S * 1/2019 Tinius D15/131
D838,198 S * 1/2019 Kimura D10/81
D838,609 S * 1/2019 Kim D10/46
D841,069 S * 2/2019 Ihara D16/131
D843,597 S * 3/2019 Kurz-Ottenwaelder D24/232
D844,606 S * 4/2019 Howell D14/384
D845,160 S * 4/2019 Stray D10/83
10,245,694 B2 * 4/2019 Komatsu B23Q 11/122
2018/0326494 A1 * 11/2018 Uemura B22F 3/1055
2018/0369838 A1 * 12/2018 Saratani B08B 3/02

* cited by examiner

FIG. 1

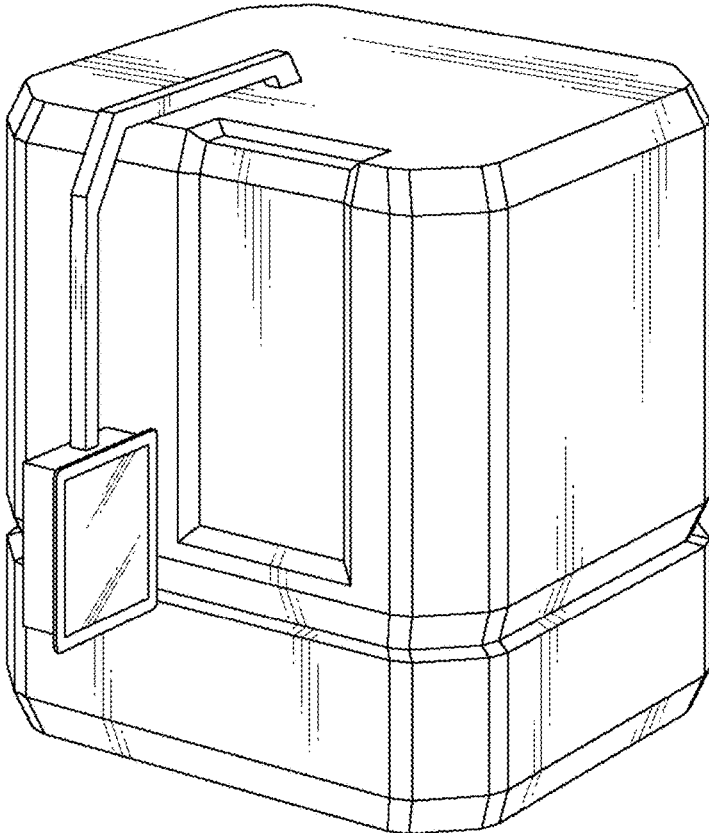


FIG. 2

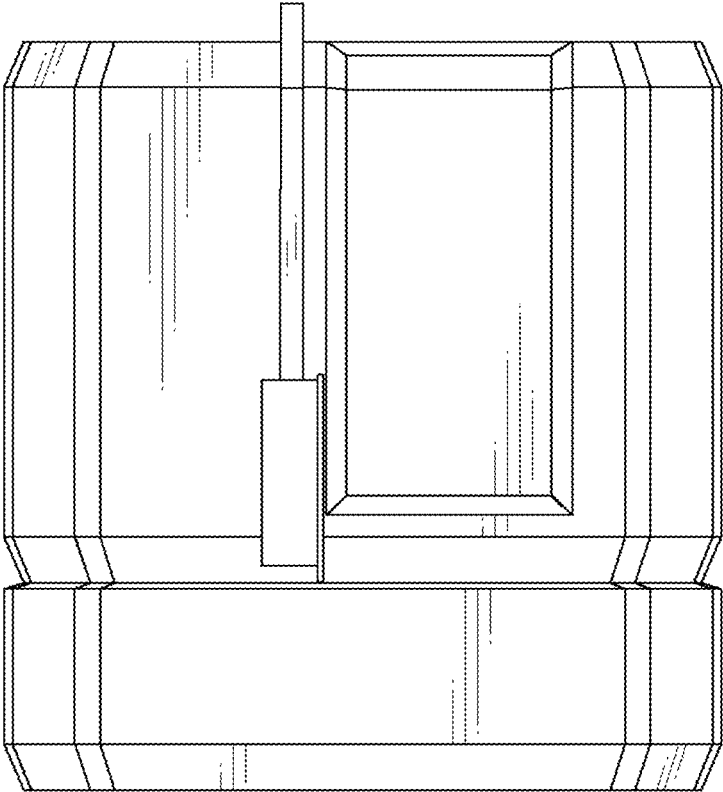


FIG. 3

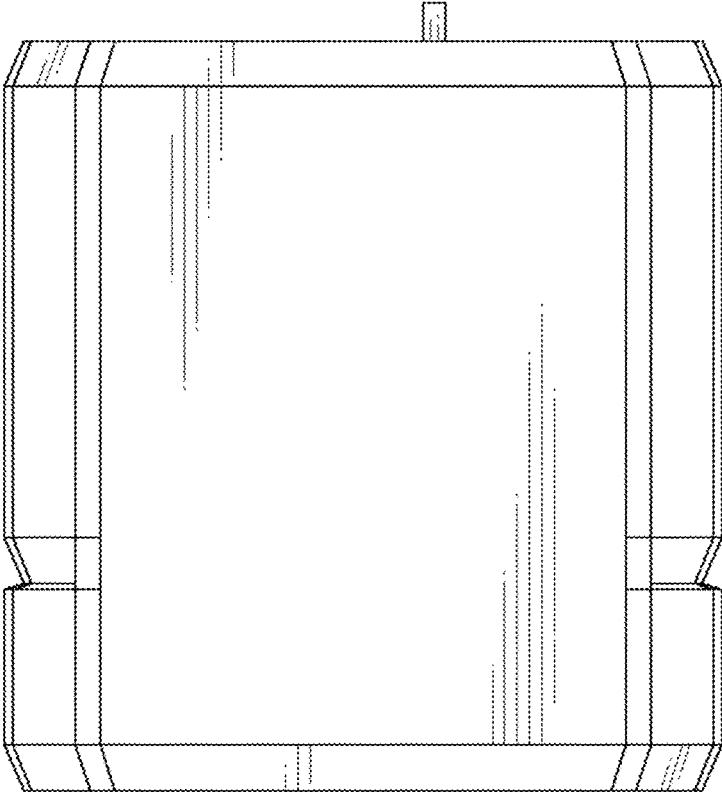


FIG. 4

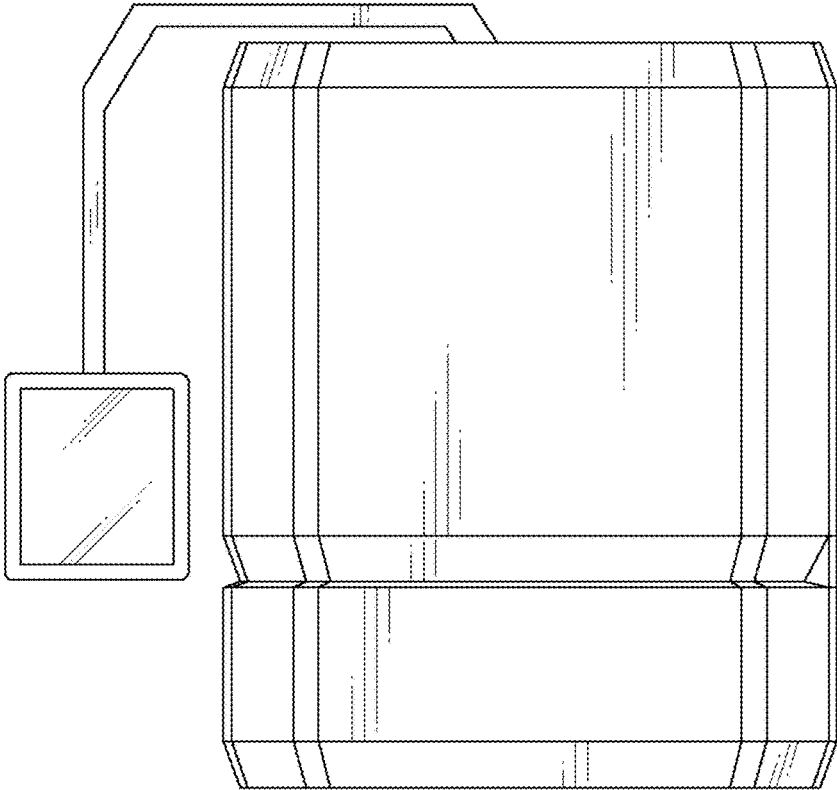


FIG. 5

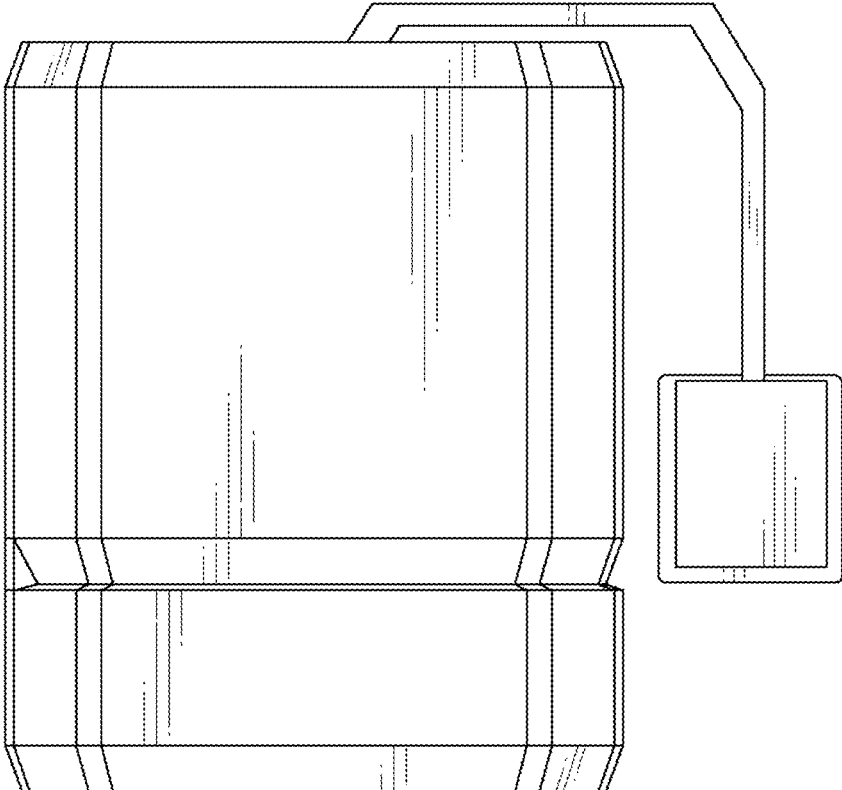


FIG. 6

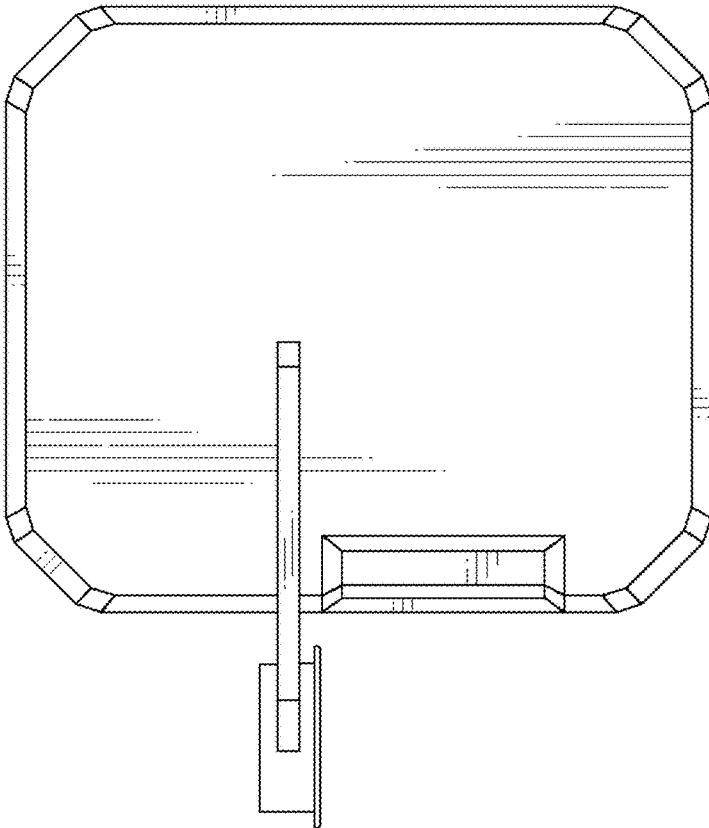


FIG. 7

