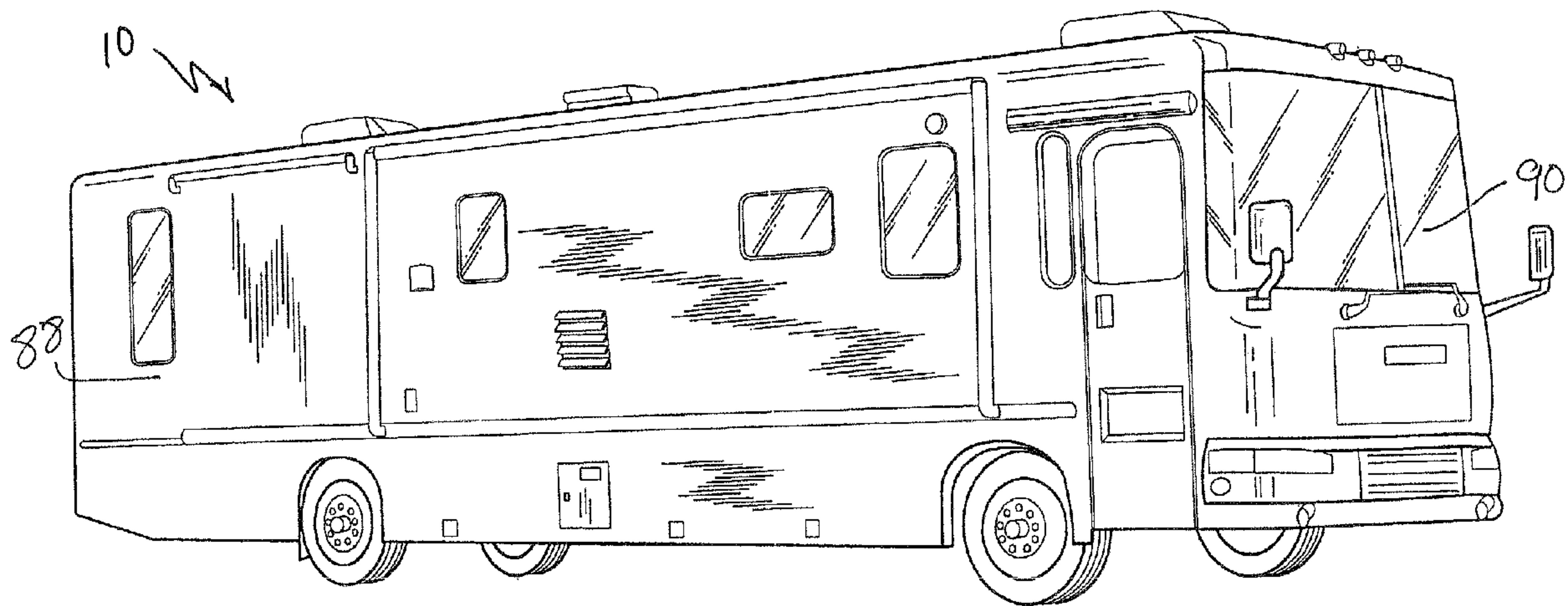




(22) Date de dépôt/Filing Date: 2003/06/11  
 (41) Mise à la disp. pub./Open to Public Insp.: 2004/05/27  
 (30) Priorités/Priorities: 2002/11/27 (60/429,664) US;  
 2003/02/14 (10/366,856) US

(51) Cl.Int.<sup>7</sup>/Int.Cl.<sup>7</sup> B60R 11/02, H05K 11/02  
 (71) Demandeur/Applicant:  
 SHEA, BRIAN J., US  
 (72) Inventeur/Inventor:  
 SHEA, BRIAN J., US  
 (74) Agent: MACRAE & CO.

(54) Titre : HAUT-PARLEUR A MONTER DANS UN VEHICULE DE PLAISANCE  
 (54) Title: SPEAKER MOUNTED IN RECREATIONAL VEHICLE



(57) Abrégé/Abstract:

An apparatus comprises a speaker for use with a recreational vehicle. The speaker is supported relative to the ceiling so as to extend through an aperture in the ceiling. The speaker has a central axis that is oblique relative to a lower surface of the ceiling.

## ABSTRACT OF THE DISCLOSURE

An apparatus comprises a speaker for use with a recreational vehicle. The speaker is supported relative to the ceiling so as to extend through an aperture in the ceiling. The speaker has a central axis that is oblique relative to a lower surface of the ceiling.

5

-1-

## SPEAKER MOUNTED IN RECREATIONAL VEHICLE

### BACKGROUND

The present disclosure relates to speakers, and particularly to mounting  
5 speakers in recreational vehicles.

Recreational vehicles may include video systems including televisions  
and speakers for the televisions. Due to the limited amount of space that may be  
available in recreational vehicles, there is an ongoing need to configure and arrange  
items and amenities in recreational vehicles so as to reduce the amount of space taken  
10 up by such items and amenities. Some conventional speaker systems used in  
recreational vehicles include brackets that project into the occupant space of the  
vehicle and that have speakers, such as cube style speakers, mounted to the brackets.  
Occupants may sometimes bump their heads on these types of speakers or brackets.  
In addition, these types of speakers and brackets may obstruct the vision of vehicle  
15 occupants. Furthermore, vehicle motion and vibrations may cause the speakers to  
shift relative to the brackets into unwanted positions.

### SUMMARY

In accordance with the present invention, an apparatus comprises a  
20 speaker mounted in a vehicle and has one or more of the following features or  
combinations thereof. The vehicle may be a recreational vehicle. The speaker may  
be supported relative to a ceiling of the recreational vehicle so that a first portion of  
the speaker is above a lower surface of the ceiling and a second portion of the speaker  
is below the lower surface of the ceiling. The speaker may have a central axis that is  
25 oblique relative to the lower surface to direct sound in a desired direction. A  
mounting bracket for the speaker may be coupled to the ceiling. A wall of the  
mounting bracket may be inclined relative to the lower surface. The wall of the  
mounting bracket may extend through an aperture in the ceiling. The speaker may be  
coupled to the wall so that its central axis is oblique relative to the lower surface. A  
30 cover may be used to cover the mounting bracket and a portion of the speaker.

In an illustrative embodiment, the speaker is part of a surround sound  
system which comprises, for example, five speakers and a television. In the  
illustrative system, there is a mounting bracket for each speaker to mount the speakers



-2-

to the ceiling. Three of the speakers face rearwardly in the recreational vehicle and two of the speakers face forwardly in the recreational vehicle.

Additional features and advantages of the present disclosure will become apparent to those skilled in the art upon consideration of the following  
5 detailed description exemplifying the best mode as presently perceived.

#### BRIEF DESCRIPTION OF THE DRAWINGS

The detailed description particularly refers to the accompanying figures in which:

10 FIG. 1 is a perspective view of a recreational vehicle;

FIG. 2 is a perspective view of the interior of the recreational vehicle of FIG. 1 showing five speaker systems mounted to the ceiling of the vehicle to provide a surround sound system for use with a video system such as a television;

15 FIG. 3 is an exploded perspective view of one of the speaker systems of FIG. 2;

FIG. 4 is a perspective view showing a mounting bracket of the speaker system of FIG. 3 being coupled to the ceiling of the recreational vehicle;

FIG. 5 is a perspective view showing the mounting bracket of FIG. 4 coupled to the ceiling;

20 FIG. 6 is a perspective view of a cover of the speaker system of FIG. 3;

FIG. 7 is a perspective view showing the cover and a speaker of the speaker system being coupled to the mounting bracket (not shown in FIG. 7);

FIG. 8 is a perspective view showing the speaker system mounted to the ceiling; and

25 FIG. 9 is a sectional view of the speaker system mounted to the ceiling.

#### DETAILED DESCRIPTION OF THE DRAWINGS

An apparatus comprises a recreational vehicle 10 shown in FIGS. 1 and 2 and an entertainment package 12 shown mounted in the recreational vehicle 10  
30 in FIG. 2. The entertainment package 12 comprises, for example, a surround sound system 14 operatively associated with a video system such as a television 16 to provide sound associated with images displayed on the television 16.



-3-

The surround sound system 14 comprises, for example, five speaker systems (each of which may be referred to herein by its specific reference character 18a, 18b, 18c, 18d, or 18e or by the general reference character 18), as shown in FIG. 2. The center front speaker 18a is coupled to a first channel of the surround sound system 14. The left front speaker 18b is coupled to a second channel of the surround sound system 14. The right front speaker 18c is coupled to a third channel of the surround sound system 14. The left and right rear speakers 18d, 18e are coupled to a fourth channel of the surround sound system 14. The speaker systems 18a, 18b, 18c, 18d, 18e are mounted to a ceiling 20 of the recreational vehicle 10 so as to extend at least partially into and out of the ceiling 16 in a generally "out-of-the-way" manner and to direct sound in a desired direction as discussed in more detail herein. It should be understood that the apparatus 10 may comprise any number of the speaker systems 18 and those speaker systems 18 may not be part of a surround sound system.

Each speaker system 18 comprises a mounting bracket 22 to be coupled to the ceiling 16 and a sound generating speaker 24 to be coupled to the mounting bracket 22, as shown in FIG. 3. A cover 26 shown also in FIG. 6 is configured to be coupled to the mounting bracket to cover the mounting bracket 22 and at least a portion of the speaker 24. A protective member 28 is configured to be coupled to a support 30 captured between the speaker 24 and the cover 26 to protect components of the speaker 24.

Assembly of the speaker system 18 is shown in FIGS. 4, 5, 7, and 8. The mounting bracket 22 is coupled to a lower surface 31 of the ceiling 20, as shown in FIGS. 4 and 5. A pair of mounting bracket fasteners 32 extend through apertures 33 formed in a first end wall 34 of the mounting bracket 22 to mount the first end wall 34 to the lower surface 31. Another pair of mounting bracket fasteners 32 extend through apertures 35 formed in a second end wall 36 of the mounting bracket 22 to mount the second end wall 36 to the lower surface 31. The end walls 34, 36 are generally parallel to the lower surface 31 when they are coupled to the lower surface 31, as shown in FIG. 7.

An upper portion of the mounting bracket 22 extends through a ceiling aperture 38 formed in the ceiling 20 when the end walls 34, 36 are coupled to the lower surface 31, as shown in FIGS. 5 and 7. A first intermediate wall 40 of the mounting bracket 22 is coupled to the first end wall 40 at a first lower bend 41 in the



-4-

mounting bracket 22 and is inclined from the first end wall 34. A second intermediate wall 42 of the mounting bracket 22 is coupled to the second end wall 36 at a second lower bend 43 in the mounting bracket 22 and is inclined from the second end wall 36. The first and second intermediate walls 40, 42 are inclined from the first and second end walls 34, 36, respectively. As such, the first and second intermediate walls 40, 42 are also inclined relative to the lower surface 31. Each of the first and second intermediate walls 40, 42 extends upwardly through the ceiling aperture 38 and thus comprises a lower portion below the lower surface 31 and an upper portion above the lower surface 31. The first and second intermediate walls 40, 42 are coupled to one another at an upper bend 44 in the mounting bracket 22.

After the mounting bracket 22 is coupled to the ceiling 20, electrical conductors 51 shown routed through the ceiling 20 in FIGS. 4 and 5 are coupled to the speaker 24 and the speaker 24, the cover 26, and the protective member 28 are coupled to the mounting bracket 22, as shown in FIGS. 7-9. The speaker 24 is positioned to extend through first, second, and third speaker-receiving apertures 46, 48, 50. The first intermediate wall 40 and the first end wall 34 cooperate to provide the first speaker-receiving aperture 46 which is shown in FIGS. 3-5. The cover 26 is formed to include the second speaker-receiving aperture 48 which is shown in FIGS. 3 and 6. The support 30 is formed to include the third speaker-receiving aperture 50 which is shown in FIG. 3.

A pair of upper fasteners 52 (see FIGS. 3, 7, and 9) are coupled to the speaker 24, the support 30, the cover 26, and the mounting bracket 22. The upper fasteners 52 are positioned to extend through a pair of upper speaker apertures 54 (see FIG. 3) formed in a flange of the speaker 24, a pair of upper support apertures 56 (see FIG. 3) formed in the support 30, a pair of upper cover apertures 58 (see FIGS. 3 and 6) formed in the cover 26, and a pair of mounting bracket apertures 60 (see FIGS. 3-5) formed in the first intermediate wall 40 of the mounting bracket 22. In this way, the upper fasteners 52 couple the speaker 24, the support 30, and the cover 26 to the mounting bracket 22.

A pair of lower fasteners 62 (see FIGS. 3, 7, and 9) are coupled to the speaker 24, the support 30, and the cover 26. The lower fasteners 62 are positioned to extend through a pair of lower speaker apertures 64 (see FIG. 3) formed in the flange of the speaker 24, a pair of lower support apertures 66 (see FIG. 3) formed in the



-5-

support 30, and a pair of lower cover apertures 68 (see FIGS. 3 and 6) formed in the cover 26. In this way, the lower fasteners 62 couple the speaker 24 and the support 30 to the cover 26.

5 Once the speaker 24, the support 30, and the cover 26 are mounted to the mounting bracket 22, the protective member 28 is mounted to the support 30 to complete assembly of the speaker system 18, as shown in FIGS. 8 and 9. The protective member 28 comprises, for example, a grill 70 (see FIG. 9) and fabric material 72 (see FIG. 8) stretched over the grill. The grill 70 may be made of a hard material to protect the internal components of the speaker.

10 When assembly of the speaker system 18 is completed, the cover 26 covers the mounting bracket 22, a portion of the speaker 24, and the ceiling aperture 38. A lower portion 74 of the cover 26 extends below the lower surface 31 and an upper portion 76 of the cover 26 extends above the lower surface 31. The lower portion 74 is formed to include a lower cavity 78 receiving a portion of the speaker  
15 24. The upper portion 76 is formed to include an upper cavity 80 receiving another portion of the speaker 24.

The lower and upper portions 74, 76 of the cover 26 cooperate to provide a wall 82 that extends through the ceiling aperture 38, as shown in FIG. 9. The wall 82 is inclined relative to the lower surface 31 and is generally parallel to the  
20 first intermediate wall 40 of the mounting bracket 22. The wall 82 is formed to include the upper and lower cover apertures 58, 68 and the second speaker-receiving aperture 48.

The speaker 24 is coupled to the inclined walls 40, 82 of the mounting bracket 22 and the cover 26, respectively, as shown in FIG. 9. As such, a central axis  
25 84 of the speaker 24 is oblique (i.e., nonparallel and nonperpendicular) relative to the lower surface 31 so that a sound output 86 of the speaker 24 faces in a desired direction to direct sound in that direction. In some embodiments, speaker 24 is oriented so that an included angle of forty-five degrees is formed between axis 84 and surface 31. With respect to the surround sound system 14 shown in FIG. 2, the sound  
30 outputs 86 of the speakers 24 of the central speaker system 18a and the left and right front speaker systems 18b, 18c face rearwardly and downwardly to direct sound generally rearwardly and downwardly and the sound outputs 86 of the speakers 24 of the left and right rear speakers systems 18d, 18e face forwardly and downwardly to

-6-

direct sound generally forwardly and downwardly. "Rearwardly" means toward the rear 88 (see FIGS. 1 and 2) of the recreational vehicle 10 and "forwardly" means toward the front 90 (see FIGS. 1 and 2) of the recreational vehicle.

The speaker 24 extends through the ceiling aperture 38, as shown in  
5 FIG. 9. An upper portion 92 of the speaker 24 is positioned above the lower surface 31 and a lower portion 94 of the speaker 24 is positioned below the lower surface 31. By recessing the speaker 24 into the ceiling 20 in this manner, the speaker 24 becomes less of a visual and physical obstruction to people in the recreational vehicle 10 than if the speaker 24 were completely below the ceiling 20.

10 Although illustrative speakers systems 18 are mounted to ceiling 16, it is within the scope of this disclosure for speaker systems 18 to be mounted to portions of vehicle 10 other than ceiling 16. For example, speaker systems 18 may be mounted to side walls of vehicle 10 or to panels of one or more other structures, such as cabinets or decorative trim pieces, that are mounted to ceiling 18 and/or to the side  
15 walls of vehicle 10. In addition, speaker systems 18 mounted to counter tops, table tops, dash boards, or panels of booth-style seats are also contemplated by this disclosure.

Although the invention has been described in detail with reference to  
20 certain illustrative embodiments, variations and modifications exist with the scope and spirit of this disclosure as described and defined in the following claims.



-7-

## CLAIMS:

1. An apparatus comprising  
a recreational vehicle comprising a ceiling having a lower surface and  
5 having an aperture,  
a mounting bracket coupled to the ceiling and comprising a first wall  
inclined relative to the lower surface, the first wall extending through the aperture so  
that a first portion of the first wall is above the lower surface and a second portion of  
the first wall is below the lower surface, and  
10 a speaker coupled to the first wall, the speaker extending through the  
aperture so that a first portion of the speaker is above the lower surface and a second  
portion of the speaker is below the lower surface.
2. The apparatus of claim 1, wherein the mounting bracket has an  
aperture through which the speaker extends.
- 15 3. The apparatus of claim 1, wherein the mounting bracket  
comprises a second wall coupled to the lower surface, and the first wall is coupled to  
the second wall at a first bend in the mounting bracket and is inclined from the second  
wall.
4. The apparatus of claim 3, wherein the first wall and the second  
20 wall cooperate to provide an aperture through which the speaker extends.
5. The apparatus of claim 3, wherein the mounting bracket  
comprises a third wall and a fourth wall, the third wall is coupled to the first wall at a  
second bend in the mounting bracket and extends through the aperture, and the fourth  
wall is coupled to the lower surface and the third wall at a third bend in the mounting  
25 bracket.
6. The apparatus of claim 1, further comprising a cover covering  
the mounting bracket and at least a portion of the speaker.
7. The apparatus of claim 6, wherein the cover has an aperture  
through which the speaker extends.
- 30 8. The apparatus of claim 6, wherein the cover extends through  
the aperture so that an upper portion of the cover is above the lower surface and a  
lower portion of the cover is below the lower surface.

-8-

9. The apparatus of claim 8, wherein the upper and lower portions of the cover cooperate to provide a second wall inclined relative to the lower surface, the second wall extends through the aperture of the ceiling and has an aperture through which the speaker extends.

5 10. An apparatus comprising  
a recreational vehicle comprising a ceiling, and  
a speaker supported relative to the ceiling so that a first portion of the  
speaker is above a lower surface of the ceiling and a second portion of the speaker is  
below the lower surface of the ceiling, the speaker having a central axis that is oblique  
10 relative to the lower surface.

11. The apparatus of claim 10, wherein the ceiling has an aperture through which the speaker extends.

12. The apparatus of claim 11, comprising a mounting bracket that  
is coupled to the ceiling and extends through the aperture, and the speaker is coupled  
15 to the mounting bracket.

13. The apparatus of claim 12, wherein the mounting bracket has an aperture through which the speaker extends.

14. The apparatus of claim 12, wherein the mounting bracket  
comprises a first wall coupled to the lower surface and a second wall coupled to the  
20 first wall, the second wall is inclined relative to the lower surface and extends through  
the aperture, the speaker is coupled to the second wall, and the first and second walls  
cooperate to provide an aperture through which the speaker extends.

15. The apparatus of claim 12, further comprising a cover that covers the mounting bracket and at least a portion of the speaker.

25 16. The apparatus of claim 15, wherein the cover comprises a wall  
that is inclined relative to the lower surface and extends through the aperture, and the  
wall has an aperture through which the speaker extends.

17. An apparatus comprising  
a recreational vehicle comprising a ceiling,  
30 a video system positioned within the recreational vehicle, and  
a surround sound system operatively associated with the video system,  
the surround sound system comprising a plurality of speakers, each speaker extending



at least partially within the ceiling above a lower surface of the ceiling and having a central axis that is oblique relative to the lower surface.

18. The apparatus of claim 17, wherein the surround sound system comprises a central front speaker facing rearwardly, a left front speaker facing  
5 rearwardly, a right front speaker facing rearwardly, a left rear speaker facing forwardly, and a right rear speaker facing forwardly.

19. The apparatus of claim 17, wherein the ceiling has a plurality of apertures, the surround system comprises a plurality of mounting brackets, each mounting bracket is coupled to the ceiling and comprises a first wall that extends  
10 through a respective one of the apertures and is inclined relative to the lower surface, each speaker is coupled to a respective one of the first walls and extends through a respective one of the apertures so that a first portion of the speaker is above the lower surface and a second portion of the speaker is below the lower surface.

20. The apparatus of claim 19, further comprising a plurality of  
15 covers, each cover covering a respective one of the mounting brackets and at least a portion of a respective one of the speakers.

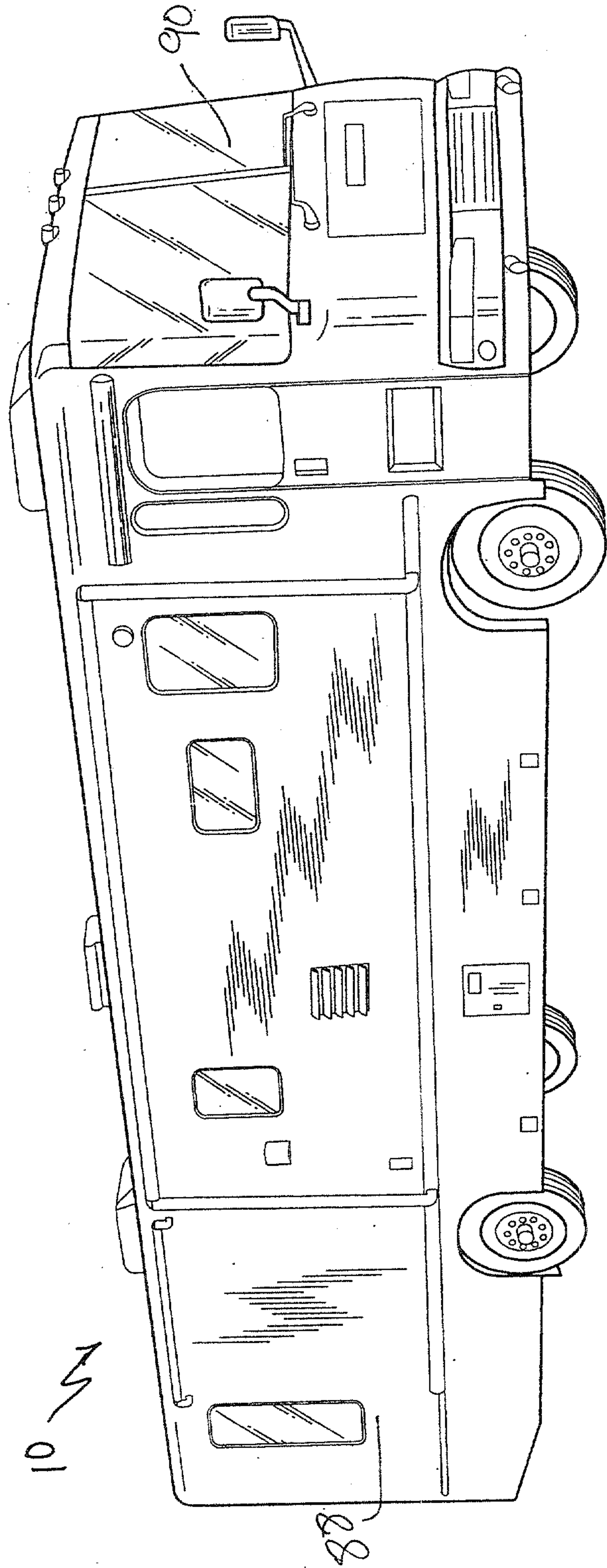


Fig. 1



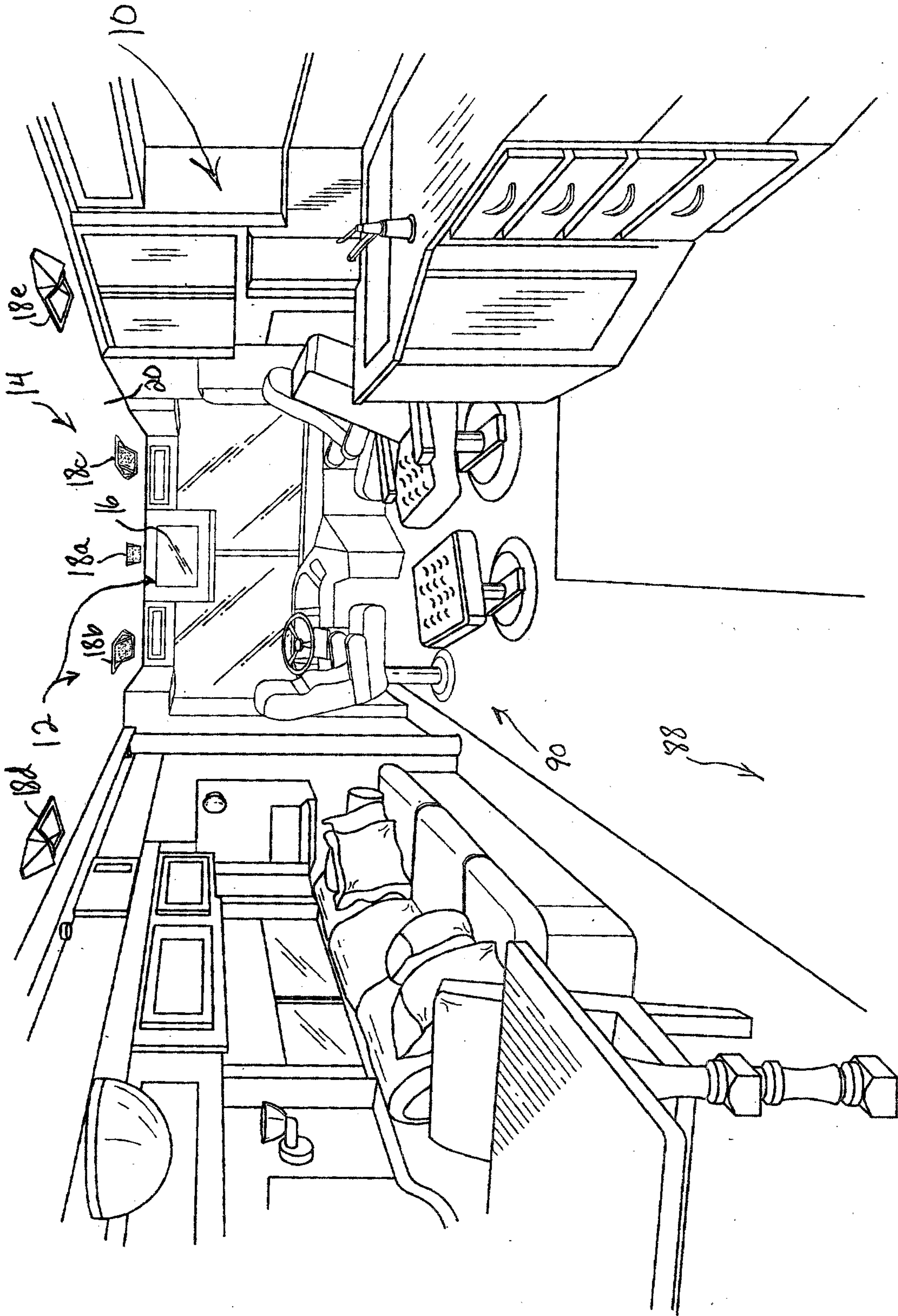


Fig. 2

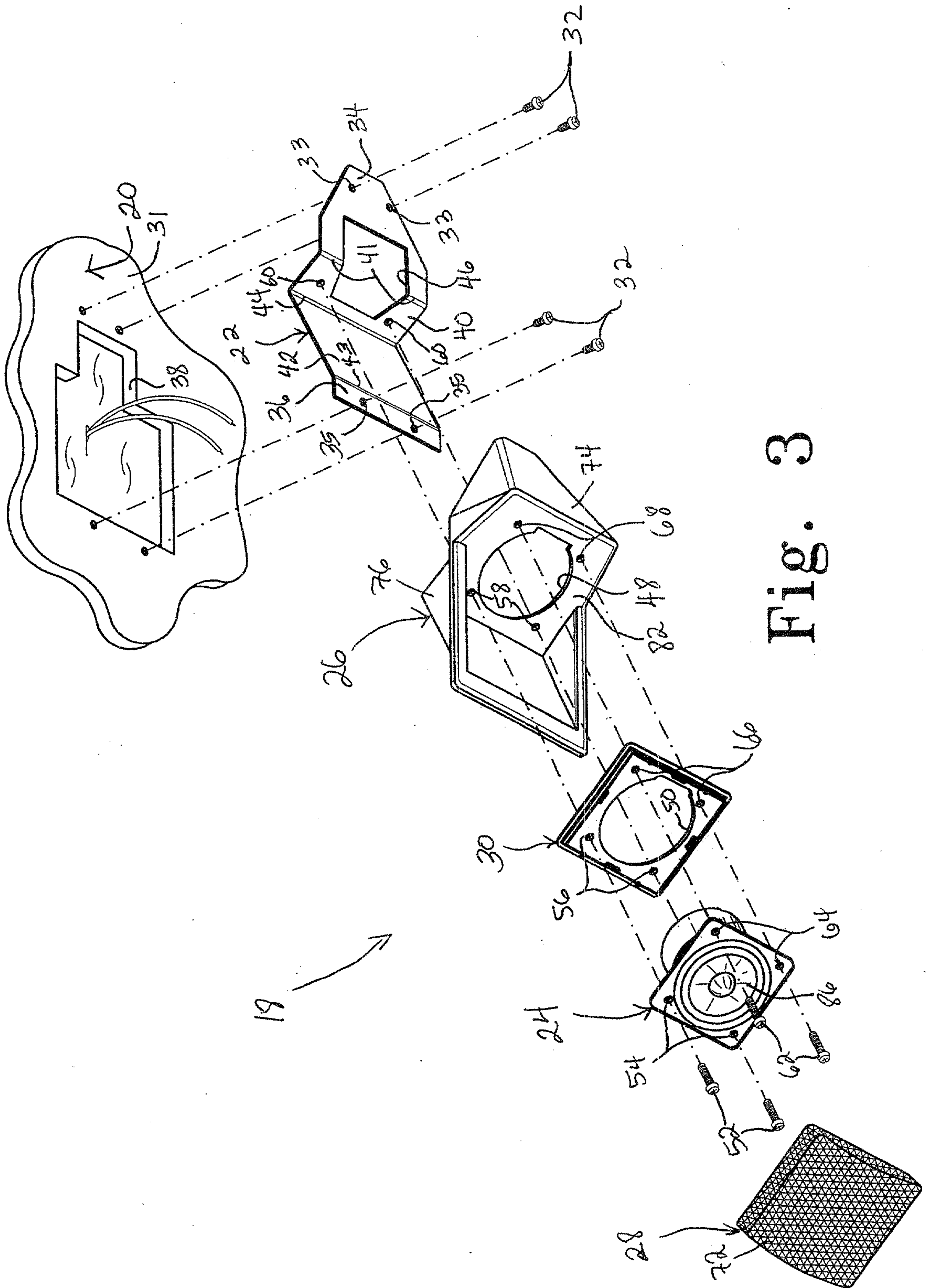


Fig. 3



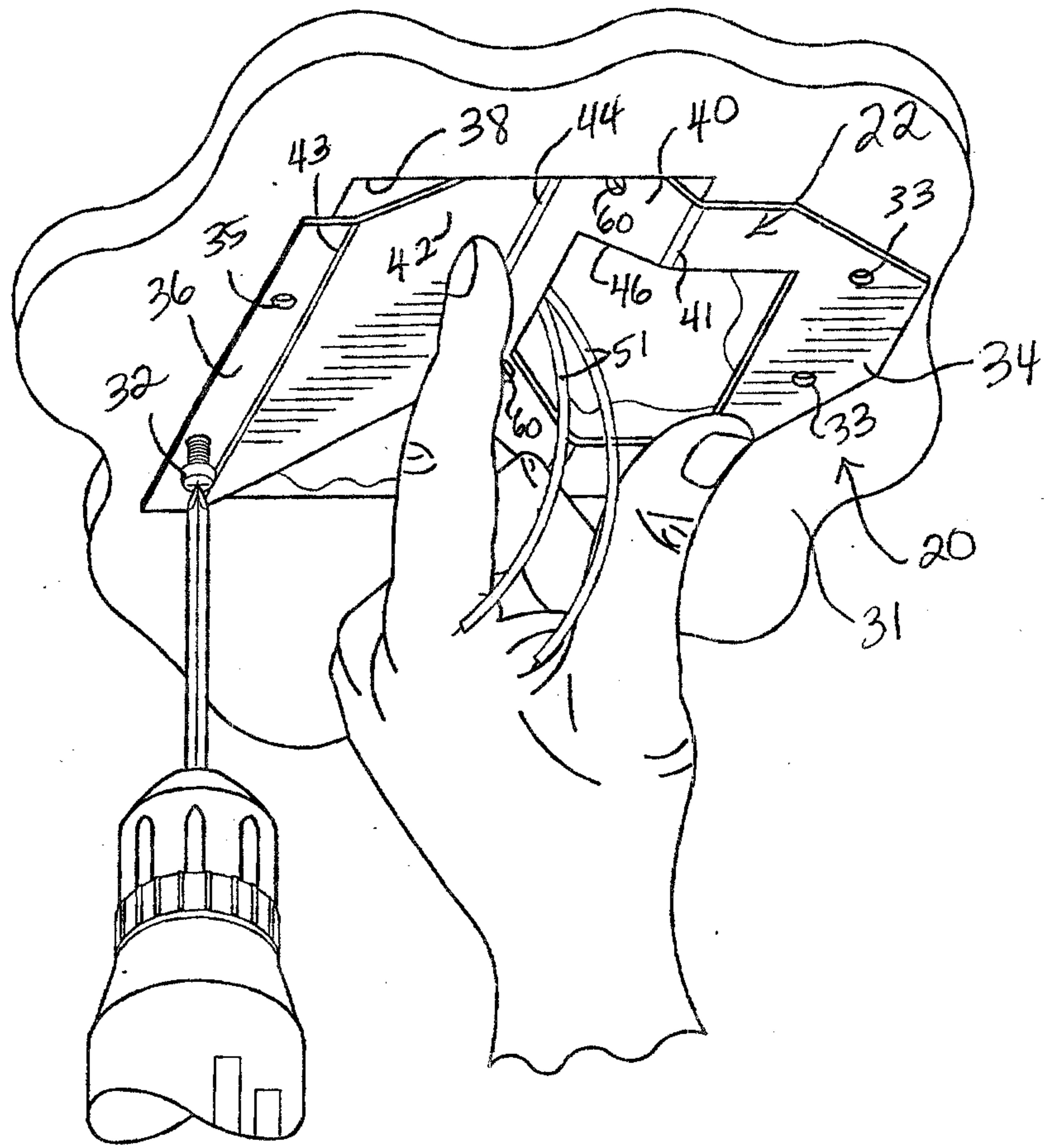


Fig. 4

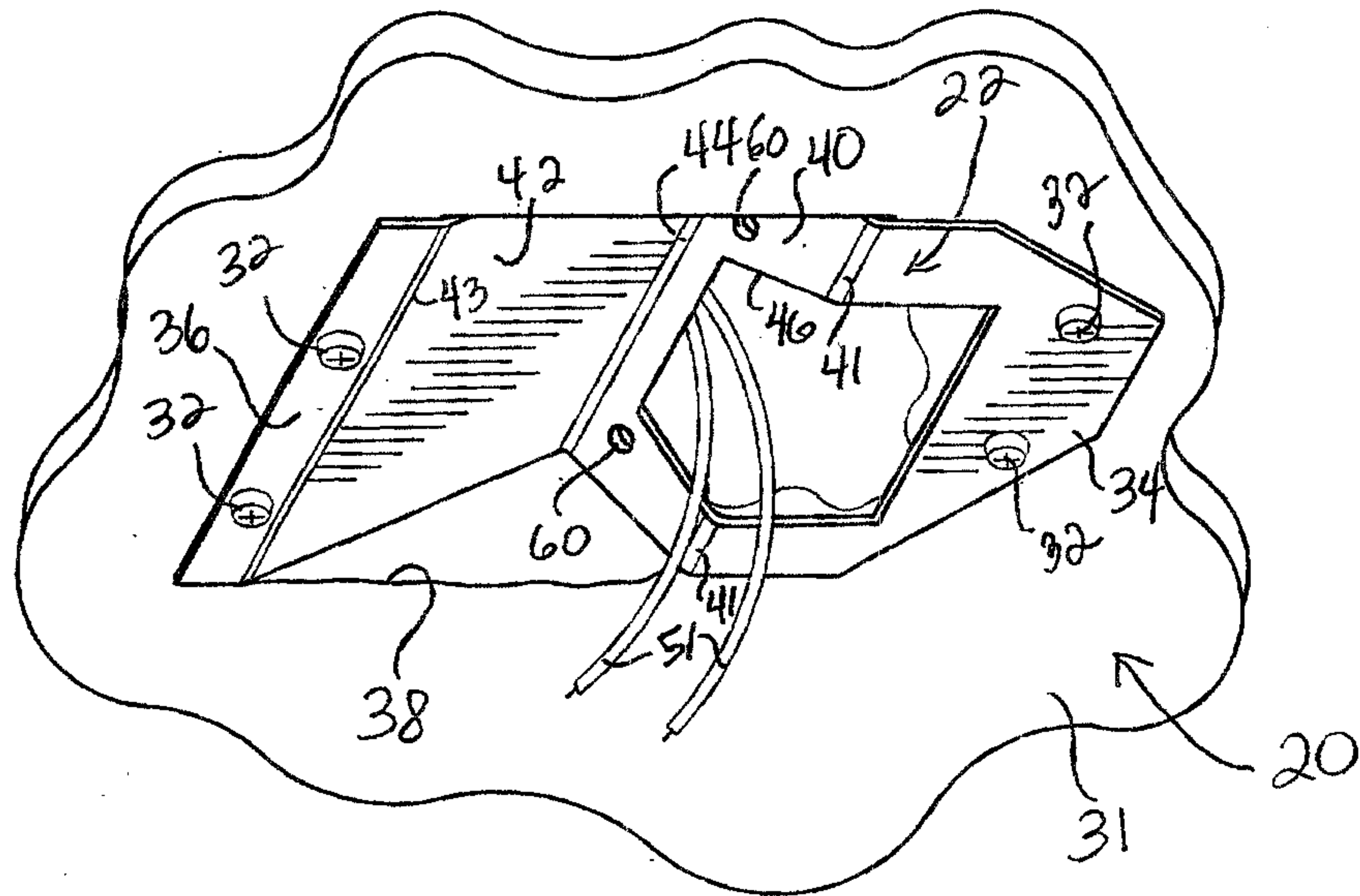


Fig. 5

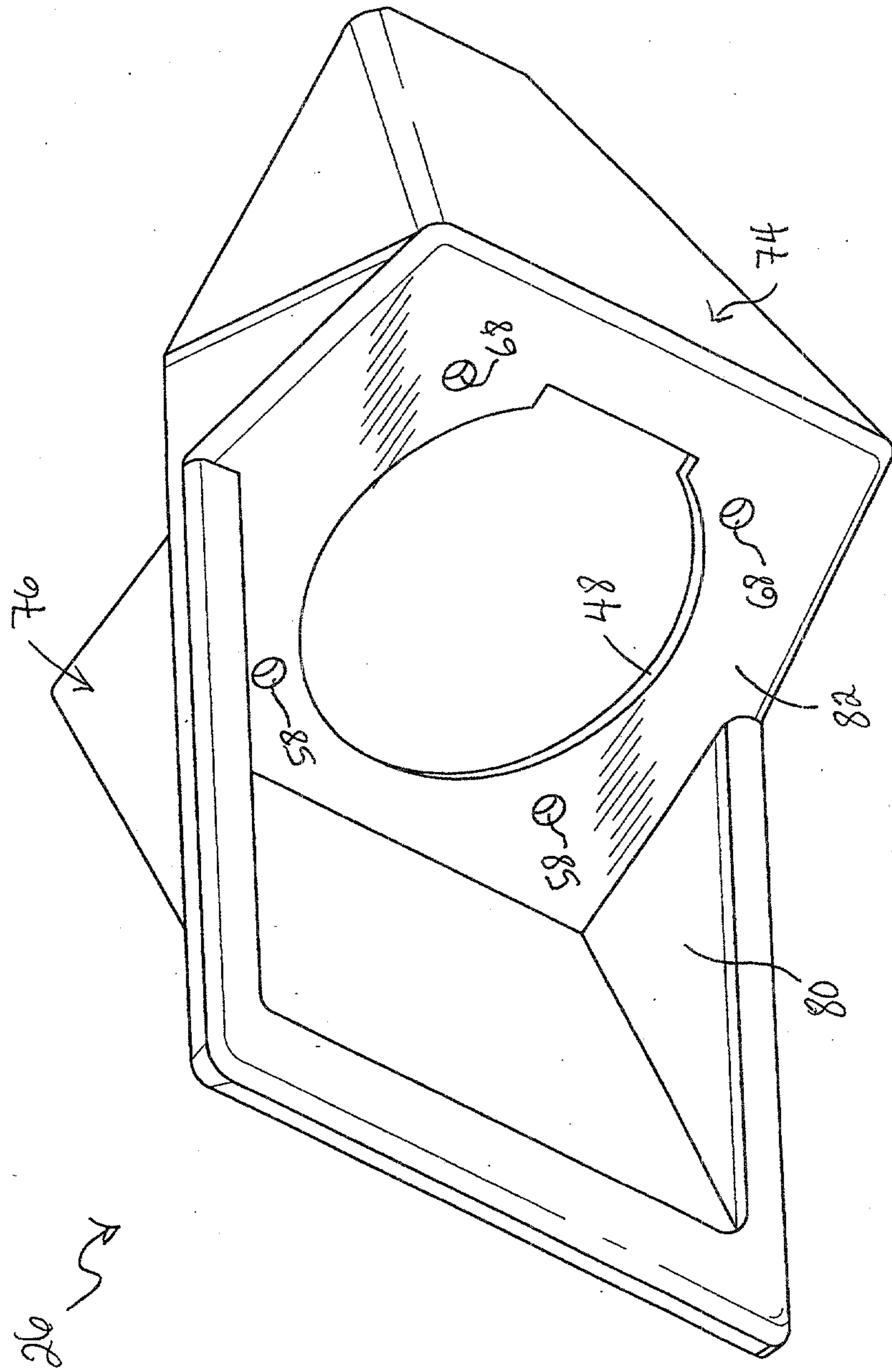


Fig. 6



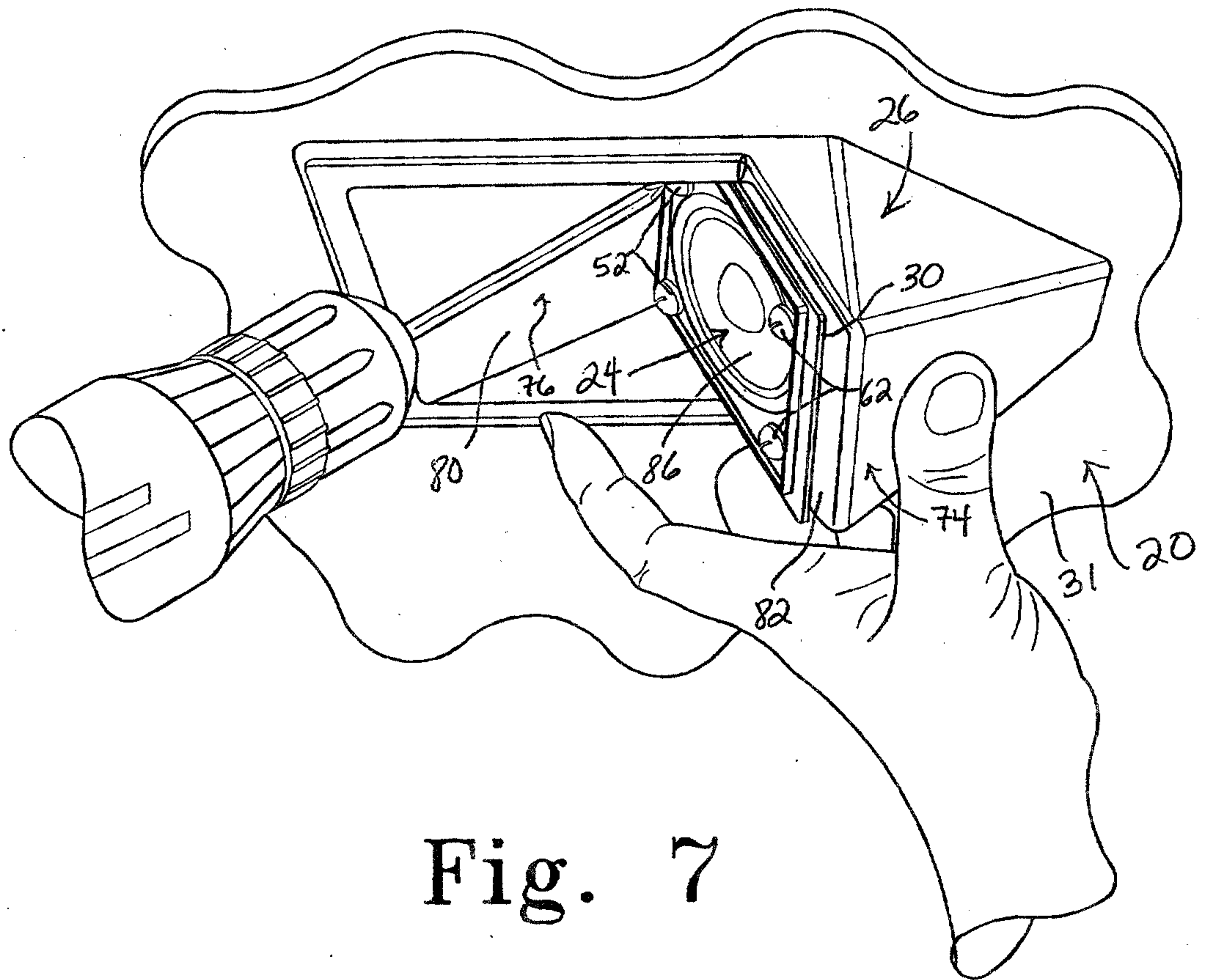


Fig. 7

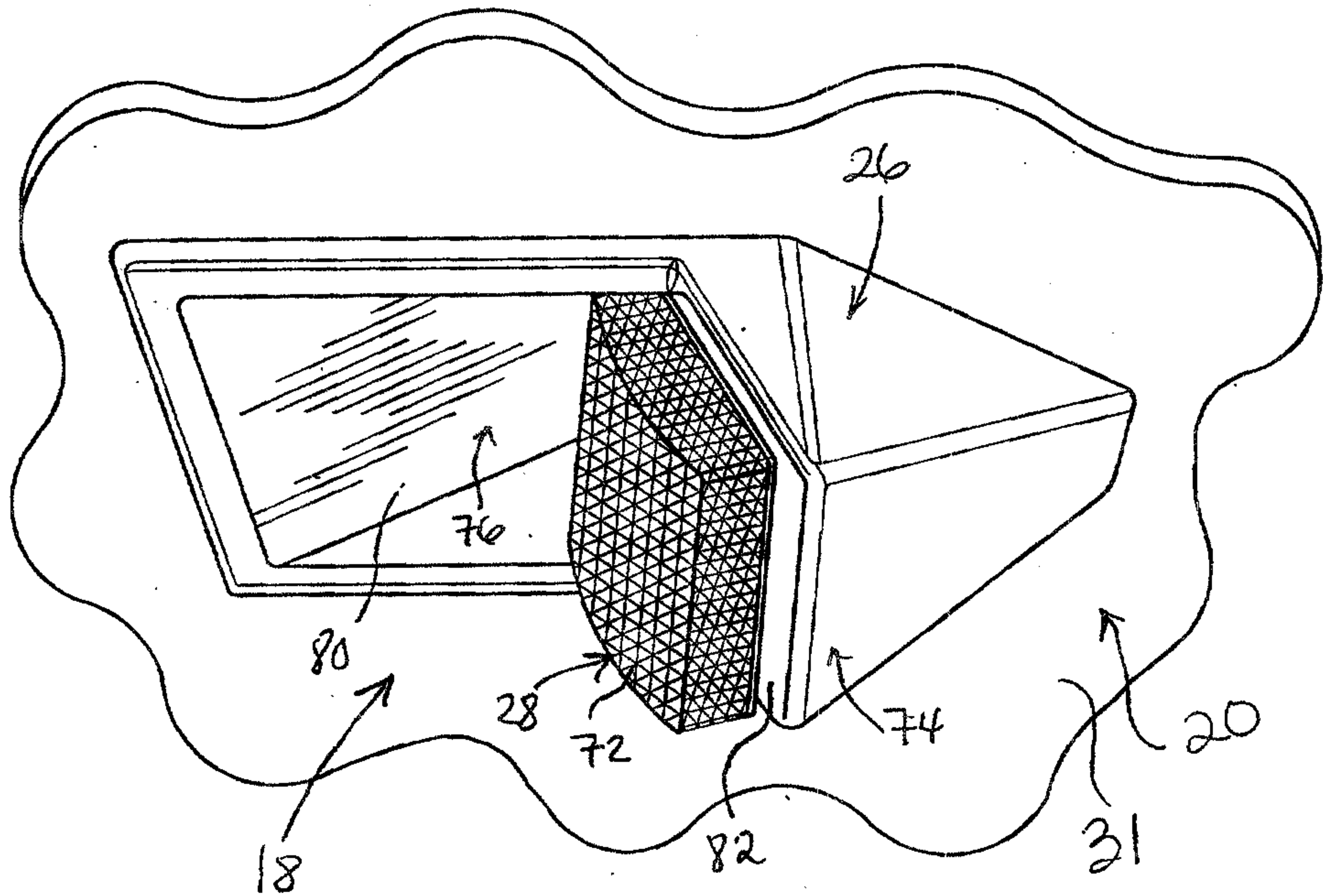


Fig. 8

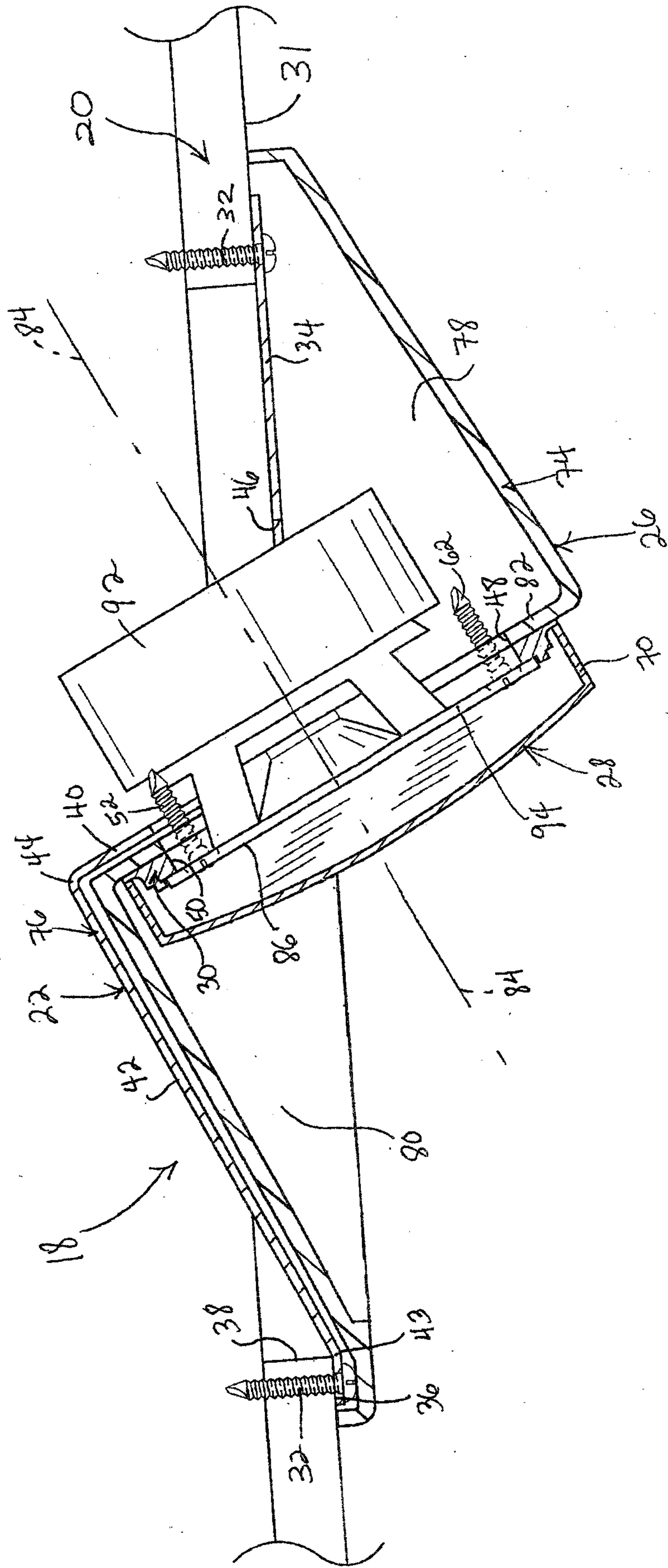


Fig. 9



