



US00D348922S

United States Patent [19]

[11] Patent Number: **Des. 348,922**

Thrasher et al.

[45] Date of Patent: **** Jul. 19, 1994**

[54] **AIR CONTROL VALVE FOR A SPA OR HOT TUB**

2,875,783	3/1959	Schippers	137/625.31 X
4,114,649	9/1978	Lindenburg et al.	137/625.32 X
4,909,212	3/1990	Minowa et al.	137/625.32 X
4,966,187	10/1990	Wah	137/625.31 X
5,010,917	4/1991	Iqbal	137/625.32 X

[75] Inventors: **Lawrence E. Thrasher**, Simi Valley;
Gustavo Mendiola, Moorpark, both of Calif.

Primary Examiner—Stella Reid
Assistant Examiner—Eric Watterson
Attorney, Agent, or Firm—Noel F. Heal; Lois Babcock

[73] Assignee: **KDI American Products Company**, Moorpark, Calif.

[**] Term: **14 Years**

[57] CLAIM

[21] Appl. No.: **6,857**

The ornamental design for an air control valve for a spa or hot tub, as shown and described.

[22] Filed: **Apr. 7, 1993**

DESCRIPTION

[52] U.S. Cl. **D23/233**

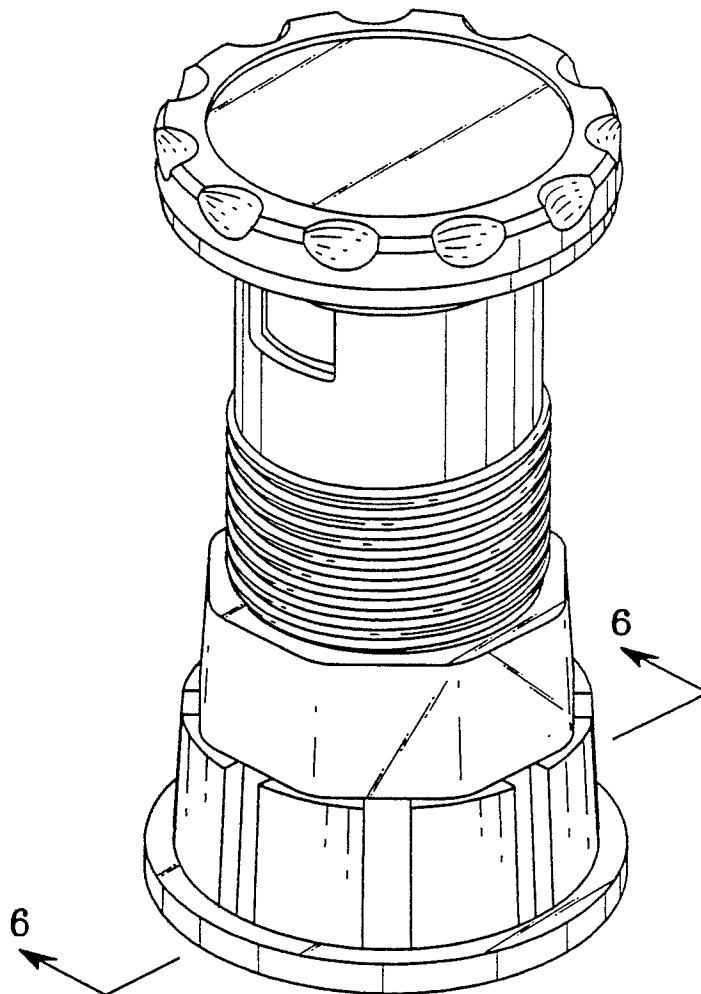
[58] Field of Search 137/625.31, 625.32,
137/614.2; D23/233-237, 244-258; D24/200,
201, 203

FIG. 1 is a perspective view of an air control valve showing our new design;
FIG. 2 is a top plan view thereof;
FIG. 3 is a bottom plan view thereof;
FIG. 4 is a left side elevation view thereof;
FIG. 5 is a front or rear elevation view thereof; and,
FIG. 6 is a cross-sectional view taken substantially along the line 6-6 in FIG. 1.

[56] References Cited

U.S. PATENT DOCUMENTS

- D. 310,717 9/1990 Heilizenstein et al. D24/201
- D. 319,107 8/1991 Bucher



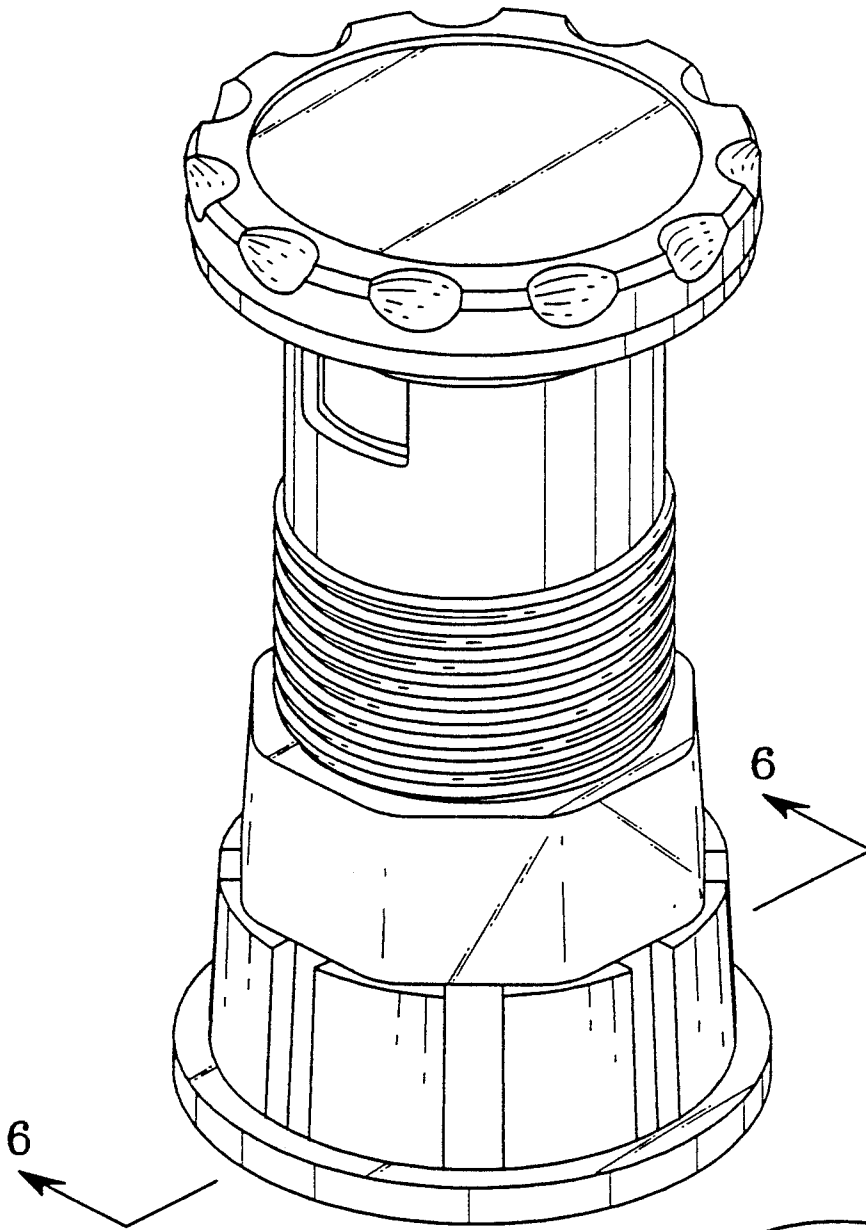
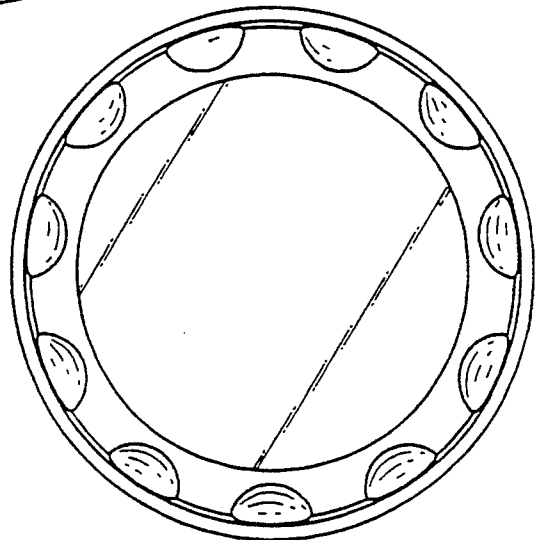


Fig. 1

Fig. 2



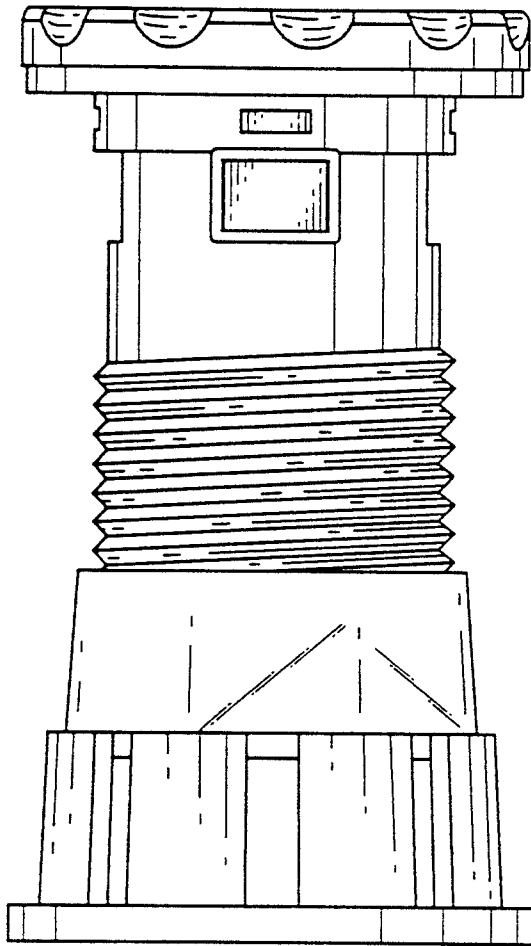


Fig. 4

Fig. 5

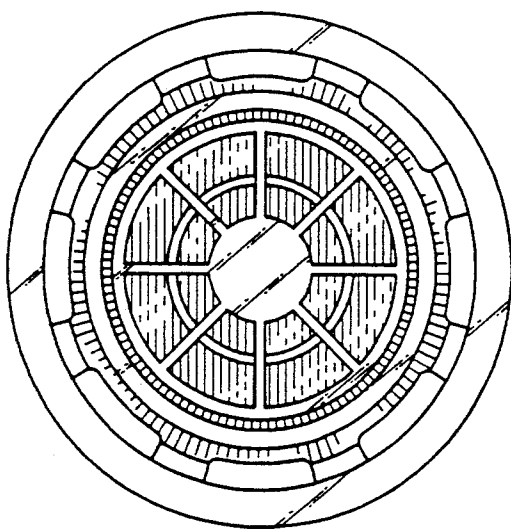
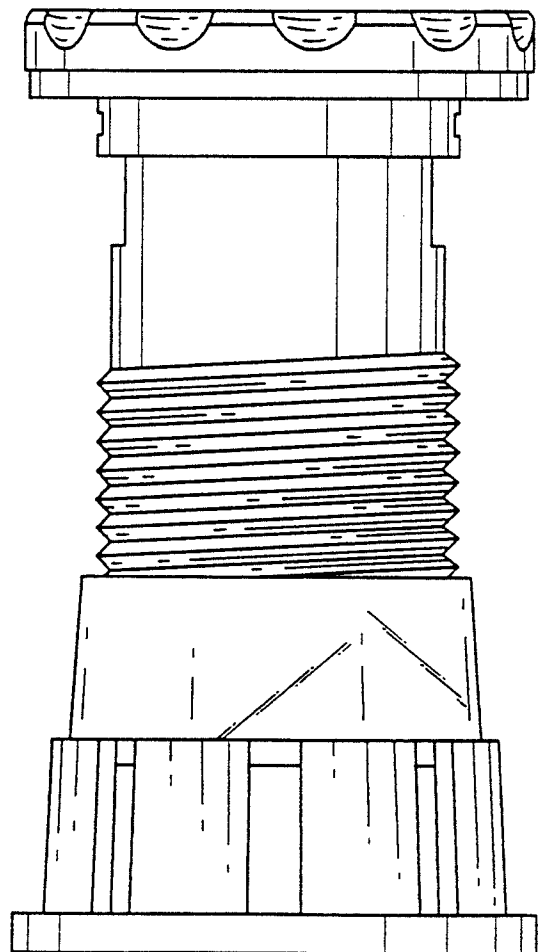


Fig. 3

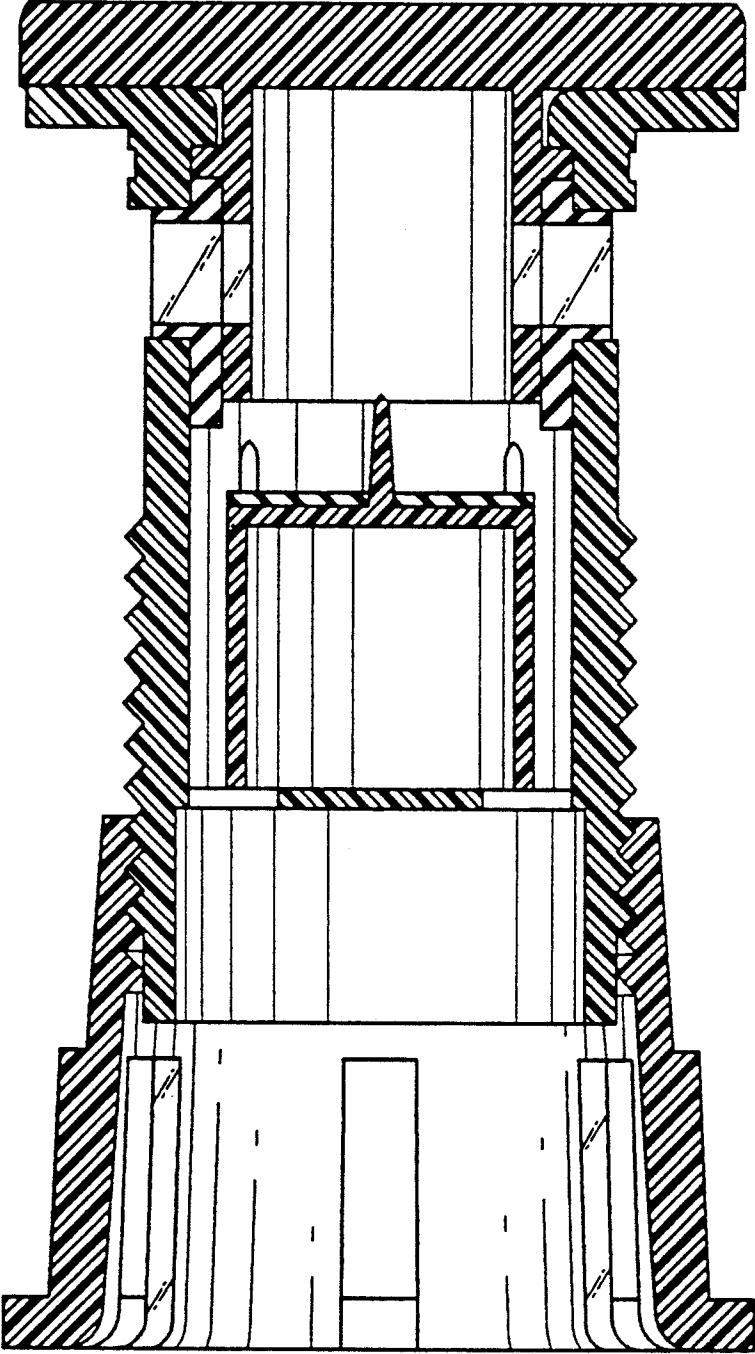


Fig. 6