



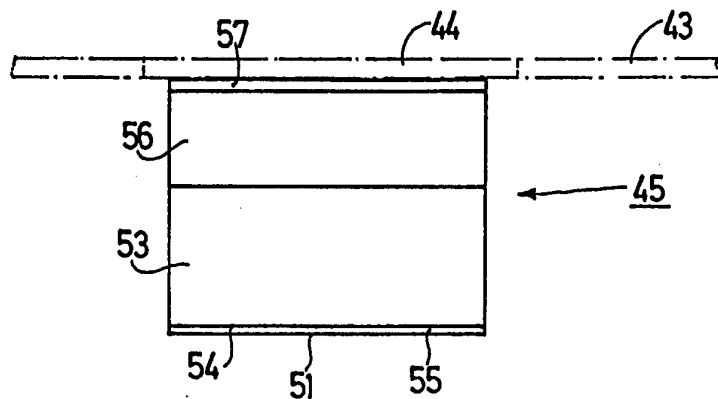
INTERNATIONAL APPLICATION PUBLISHED UNDER THE PATENT COOPERATION TREATY (PCT)

<p>(51) International Patent Classification ⁶ : G11B 23/087</p>	<p>A3</p>	<p>(11) International Publication Number: WO 96/36967 (43) International Publication Date: 21 November 1996 (21.11.96)</p>
<p>(21) International Application Number: PCT/IB96/00267 (22) International Filing Date: 29 March 1996 (29.03.96) (30) Priority Data: 95201288.8 17 May 1995 (17.05.95) EP (34) Countries for which the regional or international application was filed: AT et al. (71) Applicant: PHILIPS ELECTRONICS N.V. [NL/NL]; Groenewoudseweg 1, NL-5621 BA Eindhoven (NL). (71) Applicant (for SE only): PHILIPS NORDEN AB [SE/SE]; Kottbygatan 5, Kista, S-16485 Stockholm (SE). (72) Inventor: STÖGER, Anton; Anzbachgasse 52b, A-1140 Vienna (AT). (74) Agent: CUPPENS, Hubertus, M., M.; Internationaal Octrooibureau B.V., P.O. Box 220, NL-5600 AE Eindhoven (NL).</p>		<p>(81) Designated States: JP, European patent (AT, BE, CH, DE, DK, ES, FI, FR, GB, GR, IE, IT, LU, MC, NL, PT, SE). Published <i>With international search report. Before the expiration of the time limit for amending the claims and to be republished in the event of the receipt of amendments.</i> (88) Date of publication of the international search report: 6 February 1997 (06.02.97)</p>

(54) Title: MAGNETIC-TAPE CASSETTE WITH A TAPE-PRESSURE DEVICE, TAPE PRESSURE DEVICE WITH A PRESSURE PAD FOR SUCH A CASSETTE, AND PRESSURE PAD FOR SUCH A TAPE-PRESSURE DEVICE

(57) Abstract

In a cassette (1) for a magnetic tape (2), which has a housing (3) with a housing wall (8) formed with an access opening (13) for a magnetic head (42), and a tape-pressure device (40) including a pressure-pad support (43) and, arranged thereon, a pressure pad (45) having an elastic base (53) of a foam material, the foam material has open pores at the surface region (54) which faces the magnetic tape (2) during pressing and a polytetrafluoroethylene layer (55) is anchored in the open pores.



FOR THE PURPOSES OF INFORMATION ONLY

Codes used to identify States party to the PCT on the front pages of pamphlets publishing international applications under the PCT.

AM	Armenia	GB	United Kingdom	MW	Malawi
AT	Austria	GE	Georgia	MX	Mexico
AU	Australia	GN	Guinea	NE	Niger
BB	Barbados	GR	Greece	NL	Netherlands
BE	Belgium	HU	Hungary	NO	Norway
BF	Burkina Faso	IE	Ireland	NZ	New Zealand
BG	Bulgaria	IT	Italy	PL	Poland
BJ	Benin	JP	Japan	PT	Portugal
BR	Brazil	KE	Kenya	RO	Romania
BY	Belarus	KG	Kyrgystan	RU	Russian Federation
CA	Canada	KP	Democratic People's Republic of Korea	SD	Sudan
CF	Central African Republic	KR	Republic of Korea	SE	Sweden
CG	Congo	KZ	Kazakhstan	SG	Singapore
CH	Switzerland	LI	Liechtenstein	SI	Slovenia
CI	Côte d'Ivoire	LR	Liberia	SK	Slovakia
CM	Cameroon	LK	Sri Lanka	SN	Senegal
CN	China	LT	Lithuania	SZ	Swaziland
CS	Czechoslovakia	LU	Luxembourg	TD	Chad
CZ	Czech Republic	LV	Larvia	TG	Togo
DE	Germany	MC	Monaco	TJ	Tajikistan
DK	Denmark	MD	Republic of Moldova	TT	Trinidad and Tobago
EE	Estonia	MG	Madagascar	UA	Ukraine
ES	Spain	ML	Mali	UG	Uganda
FI	Finland	MN	Mongolia	US	United States of America
FR	France	MR	Mauritania	UZ	Uzbekistan
GA	Gabon			VN	Viet Nam

INTERNATIONAL SEARCH REPORT

International application No. PCT/IB 96/00267

A. CLASSIFICATION OF SUBJECT MATTER
IPC6: G11B 23/087 According to International Patent Classification (IPC) or to both national classification and IPC
B. FIELDS SEARCHED
Minimum documentation searched (classification system followed by classification symbols)
IPC6: G11B
Documentation searched other than minimum documentation to the extent that such documents are included in the fields searched
SE,DK,FI,NO classes as above
Electronic data base consulted during the international search (name of data base and, where practicable, search terms used)

C. DOCUMENTS CONSIDERED TO BE RELEVANT		
Category*	Citation of document, with indication, where appropriate, of the relevant passages	Relevant to claim No.
A	US 3822835 A (PAUL SHORE), 9 July 1974 (09.07.74), figures 1,3-4,10, claim 1, abstract --	1-6
A	US 4796135 A (KENGO OISHI), 3 January 1989 (03.01.89), column 1, line 49 - line 60; column 2, line 45 - line 52; column 2, line 63 - line 66, figure 1, abstract --	5
A	EP 0595401 A2 (PHILIPS ELECTRONICS N.V.), 4 May 1994 (04.05.94), figure 4, abstract --	1-6
A	EP 0576065 A2 (PHILIPS ELECTRONICS N.V.), 29 December 1993 (29.12.93) --	1-6

Further documents are listed in the continuation of Box C.
 See patent family annex.

* Special categories of cited documents: "A" document defining the general state of the art which is not considered to be of particular relevance "E" earlier document but published on or after the international filing date "L" document which may throw doubts on priority claim(s) or which is cited to establish the publication date of another citation or other special reason (as specified) "O" document referring to an oral disclosure, use, exhibition or other means "P" document published prior to the international filing date but later than the priority date claimed	"T" later document published after the international filing date or priority date and not in conflict with the application but cited to understand the principle or theory underlying the invention "X" document of particular relevance: the claimed invention cannot be considered novel or cannot be considered to involve an inventive step when the document is taken alone "Y" document of particular relevance: the claimed invention cannot be considered to involve an inventive step when the document is combined with one or more other such documents, such combination being obvious to a person skilled in the art "&" document member of the same patent family
---	--

Date of the actual completion of the international search	Date of mailing of the international search report
2 January 1997	03 -01- 1997
Name and mailing address of the ISA/ Swedish Patent Office Box 5055, S-102 42 STOCKHOLM Facsimile No. + 46 8 666 02 86	Authorized officer Henrik Fehninger Telephone No. + 46 8 782 25 00

INTERNATIONAL SEARCH REPORT

International application No.

PCT/IB 96/00267

C (Continuation). DOCUMENTS CONSIDERED TO BE RELEVANT

Category*	Citation of document, with indication, where appropriate, of the relevant passages	Relevant to claim No.
A	JP 5012768 A (SHARP CORP), 22 January 1993 (22.01.93) -- -----	1-6

INTERNATIONAL SEARCH REPORT

Information on patent family members

28/10/96

International application No.

PCT/IB 96/00267

Patent document cited in search report	Publication date	Patent family member(s)	Publication date
US-A- 3822835	09/07/74	NONE	
US-A- 4796135	03/01/89	JP-A- 62245581	26/10/87
EP-A2- 0595401	04/05/94	AT-A- 212292	15/02/94
		AT-B- 398251	25/11/94
		JP-A- 7302479	14/11/95
		US-A- 5408378	18/04/95
EP-A2- 0576065	29/12/93	CN-A- 1080084	29/12/93
		JP-A- 6060600	04/03/94
JP-A- 5012768	22/01/93	NONE	