

(19) World Intellectual Property Organization  
International Bureau



(43) International Publication Date  
12 July 2001 (12.07.2001)

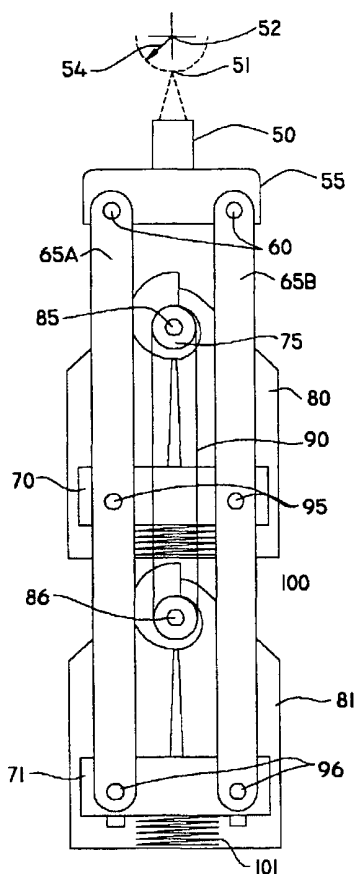
PCT

(10) International Publication Number  
WO 01/49181 A3

- (51) International Patent Classification<sup>7</sup>: A61B 8/10, G10K 11/35
- (72) Inventors; and
- (75) Inventors/Applicants (for US only): FOSTER, Mark, Leighton [CA/CA]; 2633 Killarney Street, Victoria, British Columbia V8L 2K9 (CA). PHILLIPS, Scott, Howard [CA/CA]; #5 - 1246 Fairfield Road, Victoria, British Columbia V8V 3B5 (CA). TAYLOR, Paul, Wesley [CA/CA]; 1676B Lands End Road, Sidney, British Columbia V8L 5L5 (CA). REINSTEIN, Dan [US/CA]; 1281 West Georgia Street, Suite 101, Vancouver, British Columbia V6E 3J7 (CA).
- (21) International Application Number: PCT/CA01/00008
- (22) International Filing Date: 5 January 2001 (05.01.2001)
- (25) Filing Language: English
- (26) Publication Language: English
- (30) Priority Data: 2,295,431 6 January 2000 (06.01.2000) CA
- (74) Agents: KINGWELL, Brian, G. et al.: Smart & Biggar Box 11560, Vancouver Centre 650 West Georgia Street, Suite 2200, Vancouver, British Columbia V6B 4N8 (CA).
- (71) Applicant (for all designated States except US): ULTRA-LINK OPHTHALMICS INC. [CA/CA]; Four Bentall Centre, Suite 2300, 1055 Dunsmuir Street, Vancouver, British Columbia V7X 1J1 (CA).
- (81) Designated States (national): AE, AG, AL, AM, AT, AU, AZ, BA, BB, BG, BR, BY, BZ, CA, CH, CN, CR, CU, CZ, DE, DK, DM, DZ, EE, ES, FI, GB, GD, GE, GH, GM, HR, HU, ID, IL, IN, IS, JP, KE, KG, KP, KR, KZ, LC, LK, LR,

[Continued on next page]

(54) Title: OPHTHALMOLOGICAL ULTRASONOGRAPHY SCANNING APPARATUS



(57) Abstract: An apparatus for ultrasound scanning of the eye is provided comprising a virtual center translocation mechanism that facilitates precise arcuate motion of an ultrasonic transducer to maintain focal distance from the eye and to maintain normality of the ultrasound beam with surfaces of the eye. The invention also provides a radius adjust mechanism for changing the radius of ultrasound scanning to facilitate positioning of the transducer focal point on selected surfaces of the eye. Centration optics are also provided, for aligning the ultrasound transducer with the Purkinje (or other optical or geometric) axis of a patient's eye.



WO 01/49181 A3



LS, LT, LU, LV, MA, MD, MG, MK, MN, MW, MX, MZ,  
NO, NZ, PL, PT, RO, RU, SD, SE, SG, SI, SK, SL, TJ, TM,  
TR, TT, TZ, UA, UG, US, UZ, VN, YU, ZA, ZW.

**Published:**

--- with international search report

**(84) Designated States (regional):** ARIPO patent (GH, GM, KE, LS, MW, MZ, SD, SL, SZ, TZ, UG, ZW), Eurasian patent (AM, AZ, BY, KG, KZ, MD, RU, TJ, TM), European patent (AT, BE, CH, CY, DE, DK, ES, FI, FR, GB, GR, IE, IT, LU, MC, NL, PT, SE, TR), OAPI patent (BF, BJ, CF, CG, CI, CM, GA, GN, GW, ML, MR, NE, SN, TD, TG).

**(88) Date of publication of the international search report:**  
29 November 2001

*For two-letter codes and other abbreviations, refer to the "Guidance Notes on Codes and Abbreviations" appearing at the beginning of each regular issue of the PCT Gazette.*

INTERNATIONAL SEARCH REPORT

International Application No

PCT/CA 01/00008

A. CLASSIFICATION OF SUBJECT MATTER  
 IPC 7 A61B8/10 G10K11/35

According to International Patent Classification (IPC) or to both national classification and IPC

B. FIELDS SEARCHED

Minimum documentation searched (classification system followed by classification symbols)

IPC 7 A61B G10K

Documentation searched other than minimum documentation to the extent that such documents are included in the fields searched

Electronic data base consulted during the international search (name of data base and, where practical, search terms used)

EPO-Internal, WPI Data, PAJ

C. DOCUMENTS CONSIDERED TO BE RELEVANT

Category	Citation of document, with indication, where appropriate, of the relevant passages	Relevant to claim No.
X	US 5 487 388 A (RELLO MICHAEL J ET AL) 30 January 1996 (1996-01-30) cited in the application column 2, line 62 -column 3, line 3; figure 3	1-3,6,9, 10,16,18
A	column 5, line 9 - line 10 ---	13
A	US 5 331 962 A (COLEMAN DONALD J ET AL) 26 July 1994 (1994-07-26) cited in the application abstract; figure 1 ---	1
A	US 4 206 763 A (PEDERSEN PEDER C) 10 June 1980 (1980-06-10) abstract; figure 1 -----	1

Further documents are listed in the continuation of box C.

Patent family members are listed in annex.

° Special categories of cited documents :

- \*A\* document defining the general state of the art which is not considered to be of particular relevance
- \*E\* earlier document but published on or after the international filing date
- \*L\* document which may throw doubts on priority claim(s) or which is cited to establish the publication date of another citation or other special reason (as specified)
- \*O\* document referring to an oral disclosure, use, exhibition or other means
- \*P\* document published prior to the international filing date but later than the priority date claimed

- \*T\* later document published after the international filing date or priority date and not in conflict with the application but cited to understand the principle or theory underlying the invention
- \*X\* document of particular relevance: the claimed invention cannot be considered novel or cannot be considered to involve an inventive step when the document is taken alone
- \*Y\* document of particular relevance: the claimed invention cannot be considered to involve an inventive step when the document is combined with one or more other such documents, such combination being obvious to a person skilled in the art.
- \*Z\* document member of the same patent family

Date of the actual completion of the international search

11 July 2001

Date of mailing of the international search report

18/07/2001

Name and mailing address of the ISA

European Patent Office, P.B. 5818 Patentlaan 2  
 NL - 2280 HV Rijswijk  
 Tel. (+31-70) 340-2040, Tx. 31 651 epo nl,  
 Fax: (+31-70) 340-3016

Authorized officer

Anderson, A

# INTERNATIONAL SEARCH REPORT

Information on patent family members

International Application No

PCT/CA 01/00008

Patent document cited in search report	Publication date	Patent family member(s)	Publication date
US 5487388 A	30-01-1996	CA 2157314 A EP 0713679 A JP 8229046 A	02-05-1996 29-05-1996 10-09-1996
US 5331962 A	26-07-1994	NONE	
US 4206763 A	10-06-1980	NONE	