



US00D348916S

United States Patent [19]

[11] Patent Number: Des. 348,916

Powers

[45] Date of Patent: ** Jul. 19, 1994

[54] **BILLIARD TABLE**

[75] Inventor: **Carl D. Powers, Raymer, Tenn.**

[73] Assignee: **Brunswick Corporation, Lake Forest, Ill.**

[*] Notice: The portion of the term of this patent subsequent to Aug. 19, 2006 has been disclaimed.

[**] Term: **14 Years**

[21] Appl. No.: **428,735**

[22] Filed: **Oct. 30, 1989**

[52] U.S. Cl. **D21/232**

[58] Field of Search 273/2, 3 R, 3 A, 59 R, 273/68; D21/232

3,103,359 9/1963 Gentile Jr. 273/68
 3,917,264 11/1975 Davidson et al. 273/59 R

OTHER PUBLICATIONS

Coleco Catalog 1969, The Sport Pool Table.

Primary Examiner—Prabhakar G. Deshmukh
Attorney, Agent, or Firm—Wood, Phillips, VanSanten, Hoffman & Ertel

CLAIM

[57] The ornamental design for a billiard table, as shown and described.

DESCRIPTION

FIG. 1 is a perspective view of a billiard table showing my new design;
 FIG. 2 is a top plan view thereof;
 FIG. 3 is a side elevational view thereof;
 FIG. 4 is an end elevational view thereof;
 FIG. 5 is an end elevational view of the opposite end view thereof; and,
 FIG. 6 is a bottom plan view thereof.

[56] **References Cited**

U.S. PATENT DOCUMENTS

D. 192,086 1/1962 Reineman et al. D21/232
 D. 230,039 1/1974 Crossman D21/232
 D. 259,579 6/1981 Kaye D21/232

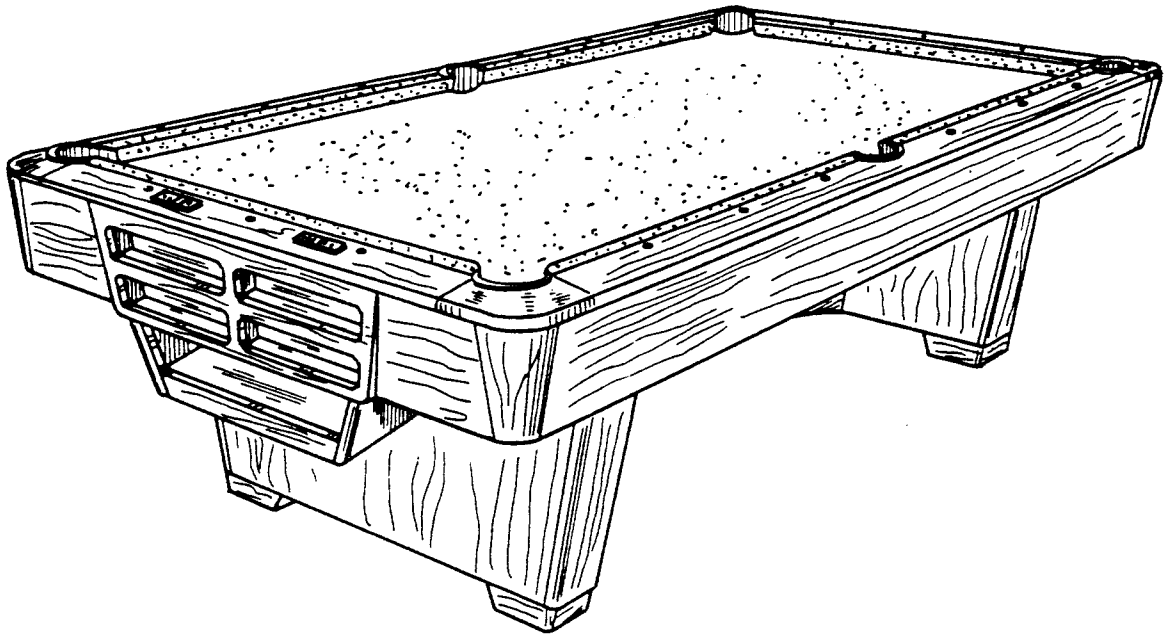


FIG. 1

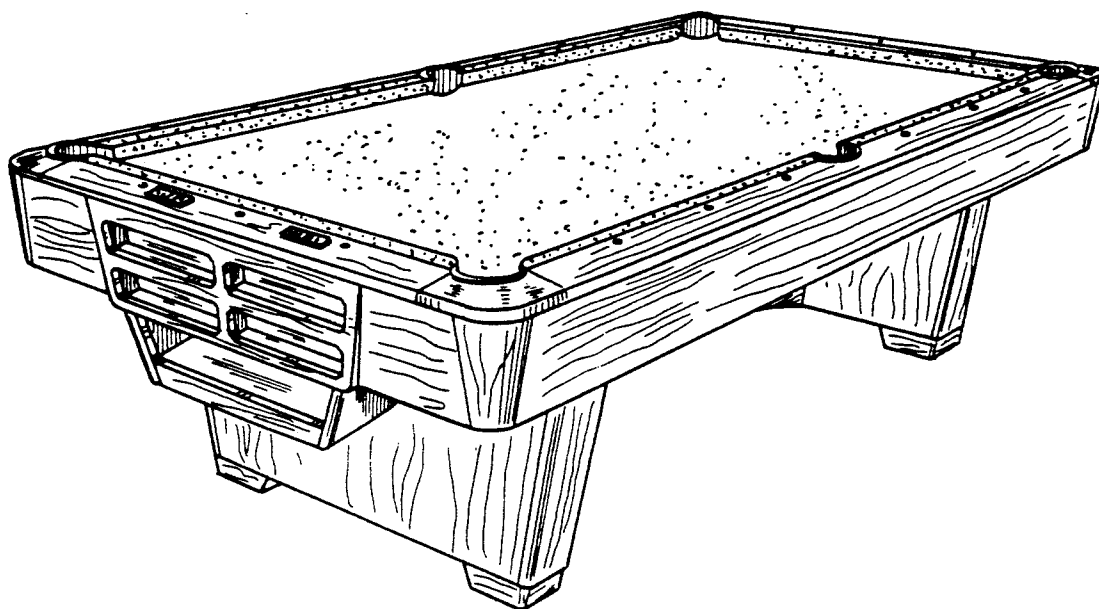


FIG. 2

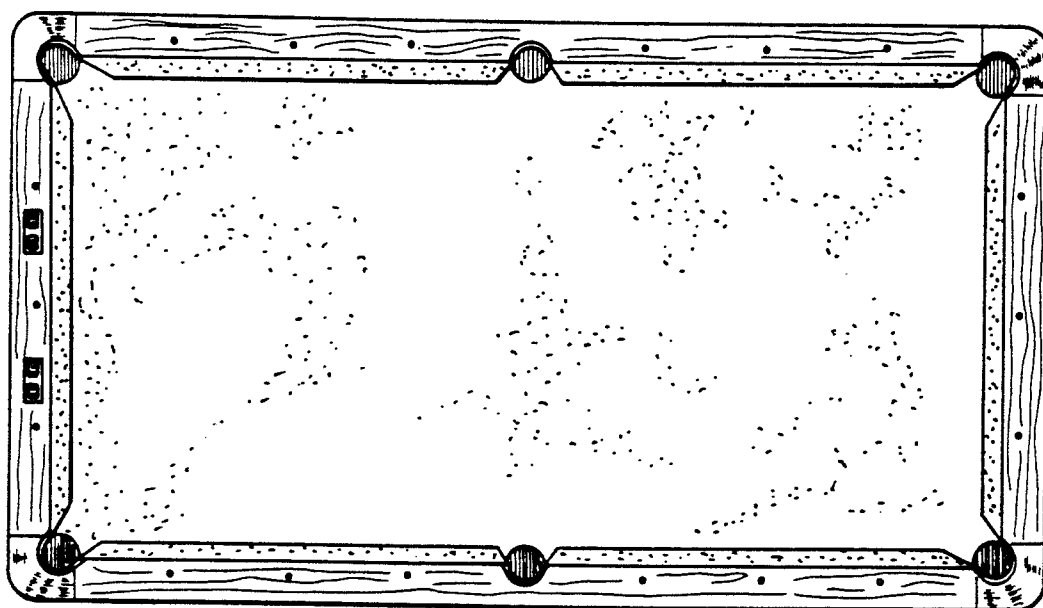


FIG. 3

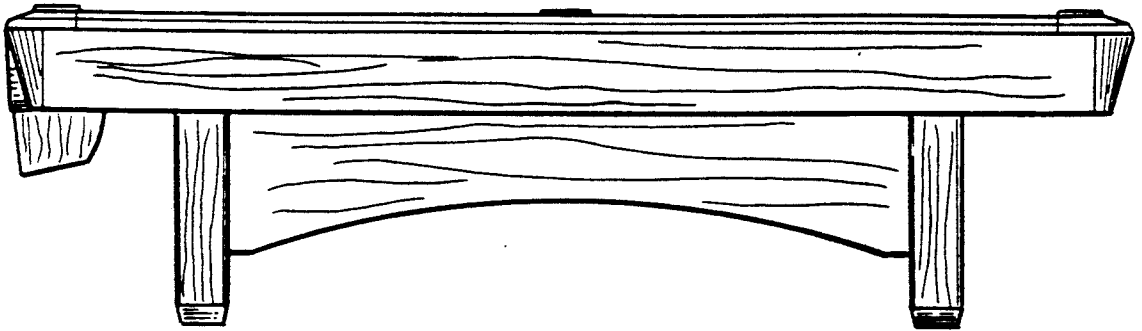


FIG. 4

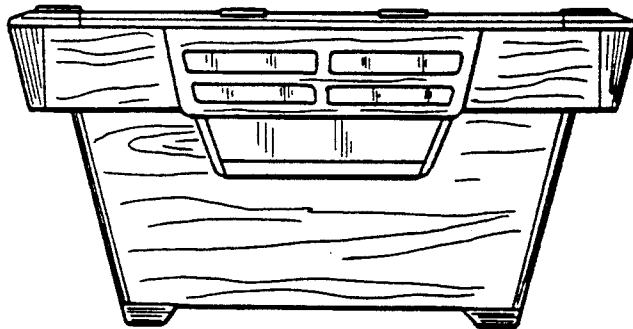


FIG. 5

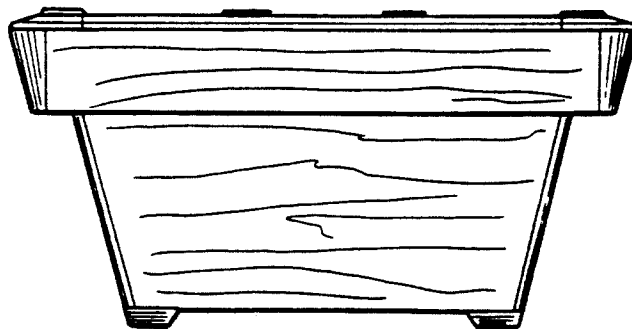


FIG. 6

