



US00D457635S

(12) **United States Design Patent**
Dittli et al.

(10) **Patent No.:** **US D457,635 S**

(45) **Date of Patent:** **** May 21, 2002**

(54) **HEARING AID WITH MODULE**

5,975,235 A * 11/1999 Schlaegel et al. 181/129

(75) Inventors: **Erich Dittli**, Reichenburg; **Bruno Gabathuler**, Stäfa; **Richard Niccolai**, Uster, all of (CH)

* cited by examiner

Primary Examiner—Stella Reid
(74) *Attorney, Agent, or Firm*—Pearne & Gordon LLP

(73) Assignee: **Phonak AG**, Stafa (CH)

(57) **CLAIM**

(**) Term: **14 Years**

The ornamental design for a hearing aid with module, as shown and described.

(21) Appl. No.: **29/115,855**

DESCRIPTION

(22) Filed: **Dec. 21, 1999**

(30) **Foreign Application Priority Data**

Jun. 22, 1999 (CH) 126170

(51) **LOC (7) Cl.** **24-99**

(52) **U.S. Cl.** **D24/174**

(58) **Field of Search** D24/174; 381/330,
381/312, 23.1

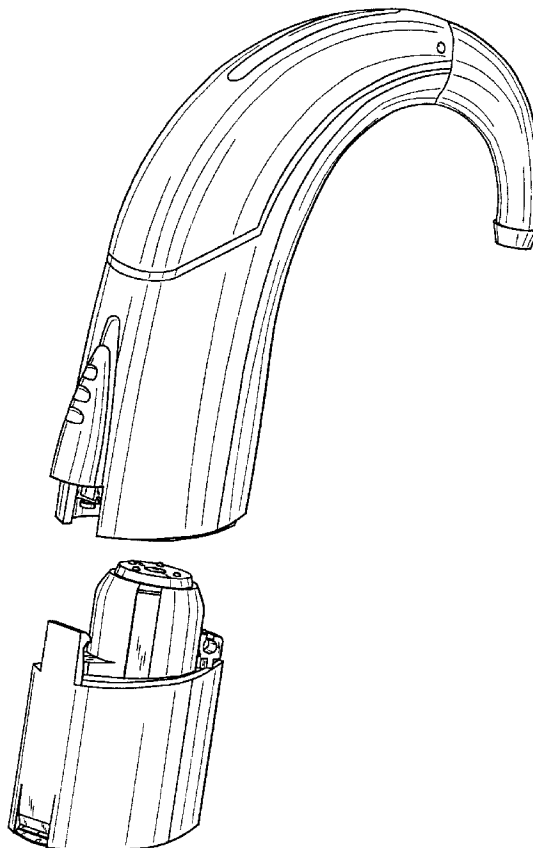
FIG. 1 is a perspective view of a hearing aid, showing our new design with the module detached;
FIG. 2 is a bottom plan view thereof;
FIG. 3 is a front elevational view thereof;
FIG. 4 is a rear elevational view thereof;
FIG. 5 is a left side elevational view thereof, the right side being a mirror image;
FIG. 6 is an exploded view with a module in unattached position;
FIG. 7 is a perspective view with the module in attached position;
FIG. 8 is an exploded view with two modules in unattached position; and,
FIG. 9 is a perspective view with the two modules in attached position.

(56) **References Cited**

U.S. PATENT DOCUMENTS

| | | | | | |
|-------------|---|---------|------------------|-------|----------|
| D251,234 S | * | 3/1979 | Hakansson et al. | | D10/46 |
| 4,564,955 A | * | 1/1986 | Birch et al. | | 381/68.7 |
| D354,568 S | * | 1/1995 | Araki et al. | | D24/174 |
| 5,606,621 A | * | 2/1997 | Reiter et al. | | 381/68.6 |
| D385,036 S | * | 10/1997 | Nielsen | | D24/174 |
| 5,761,319 A | * | 6/1998 | Dar et al. | | 381/330 |

1 Claim, 7 Drawing Sheets



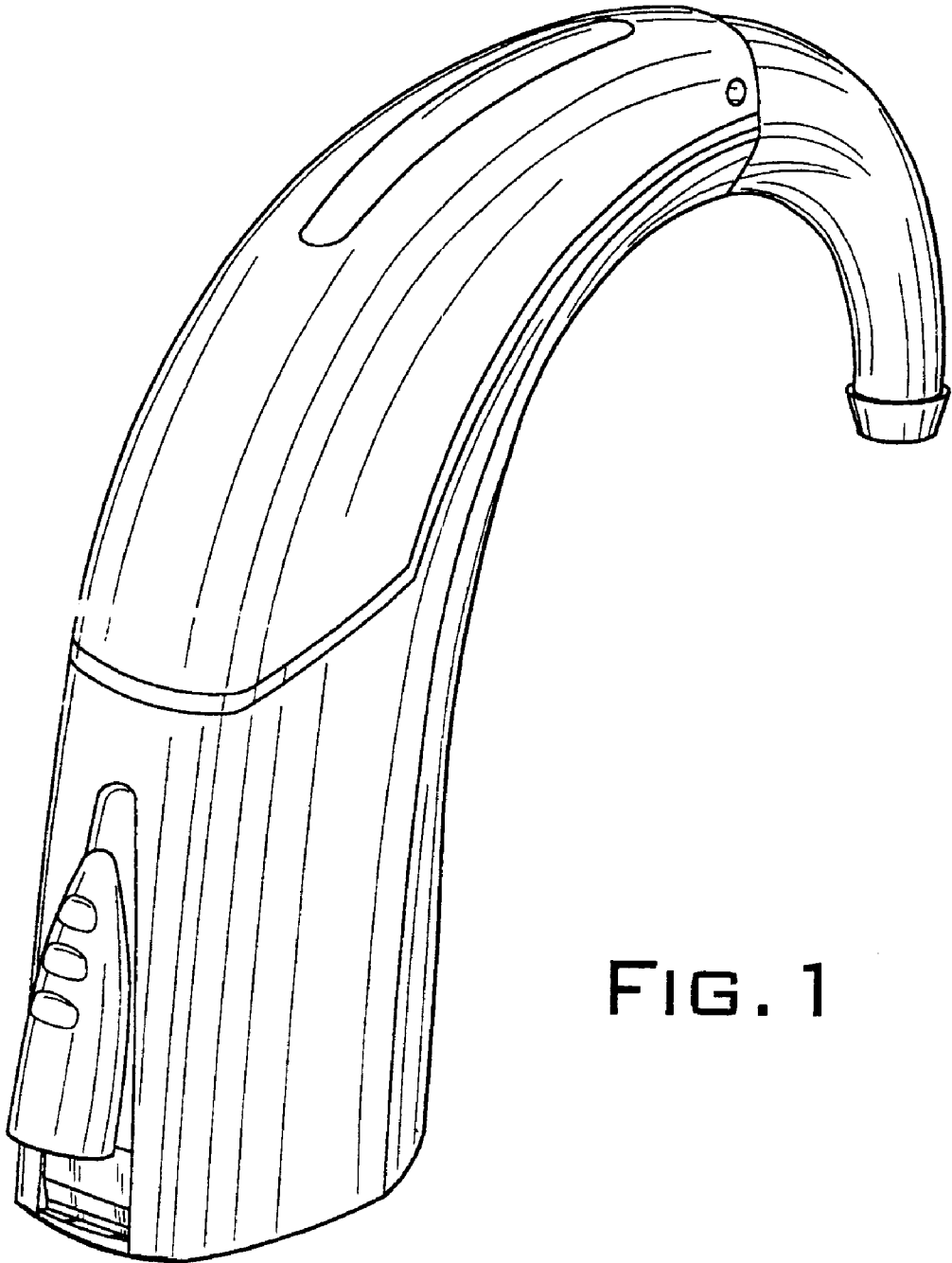


FIG. 1

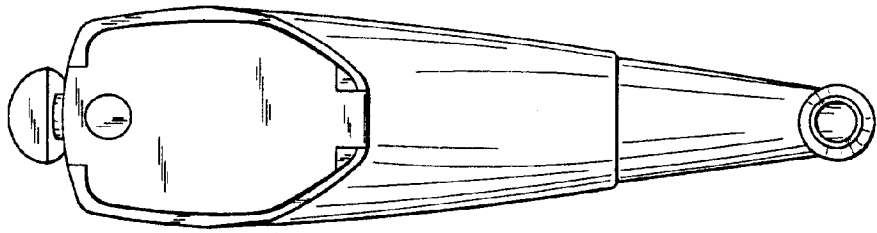


FIG. 2

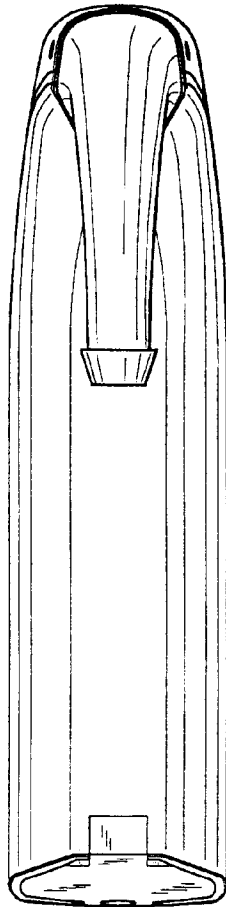


FIG. 3

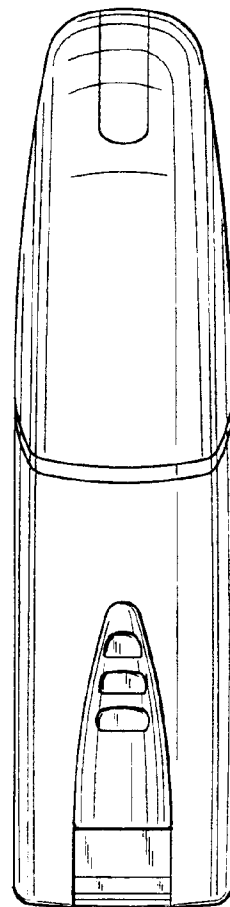


FIG. 4

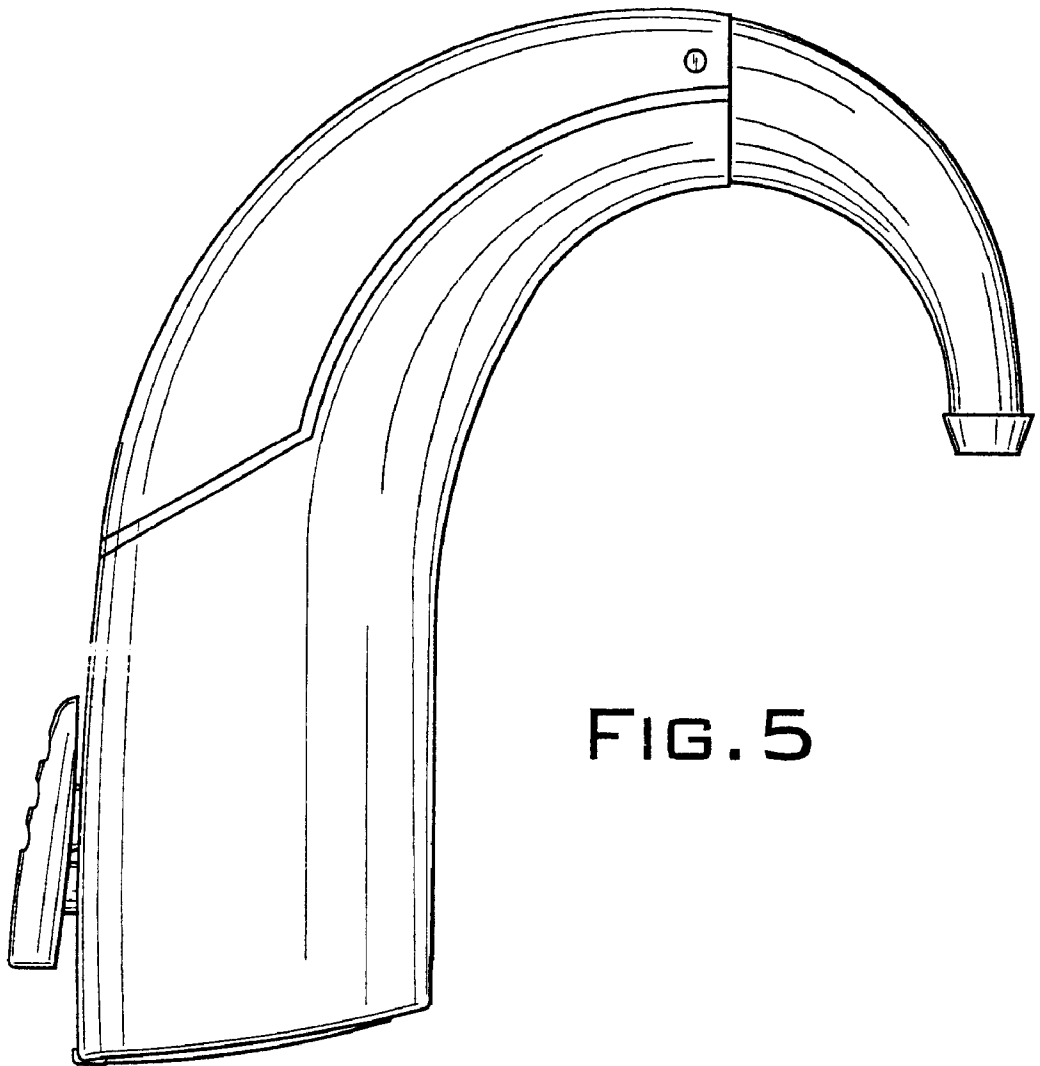
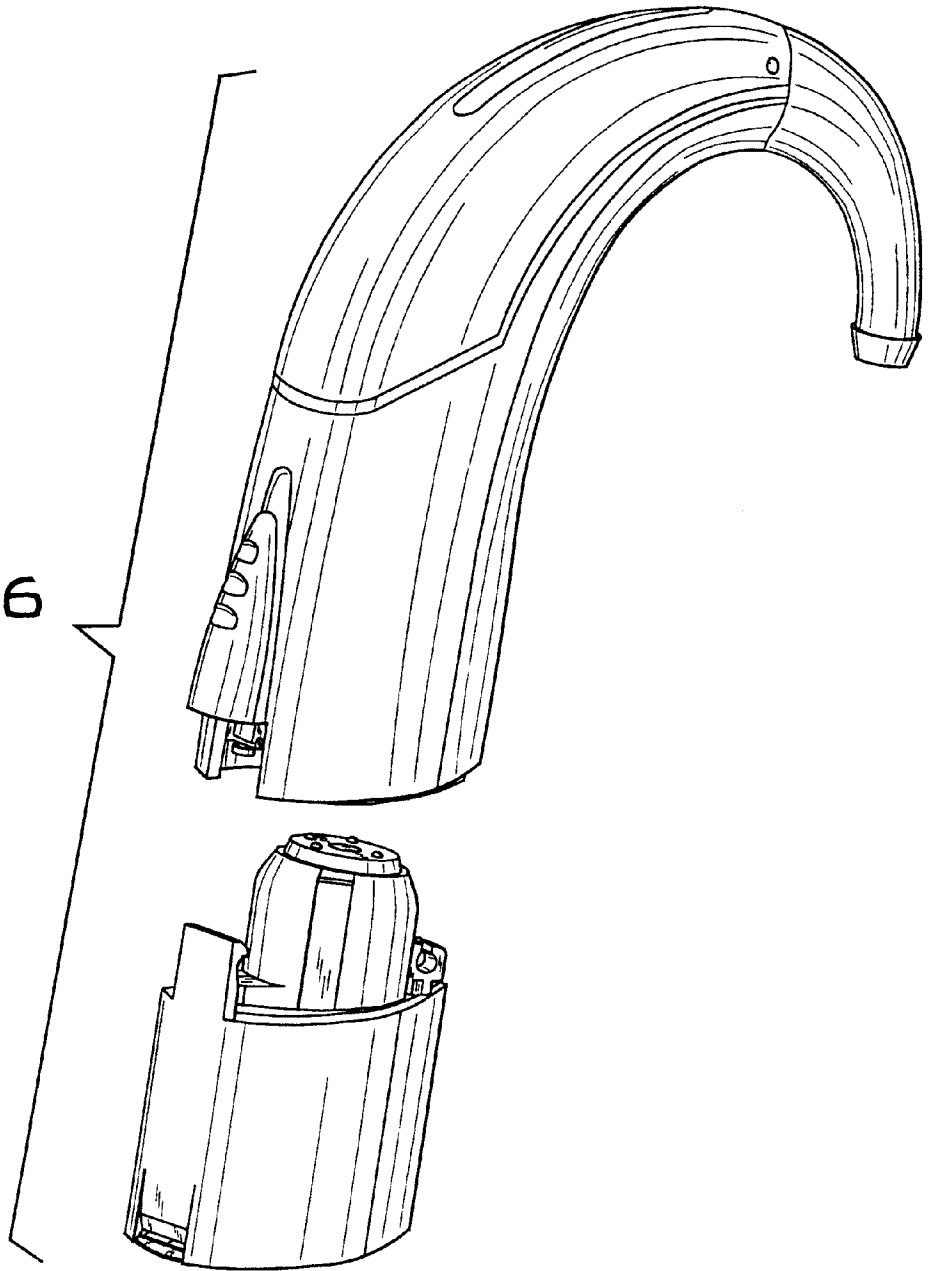


FIG. 6



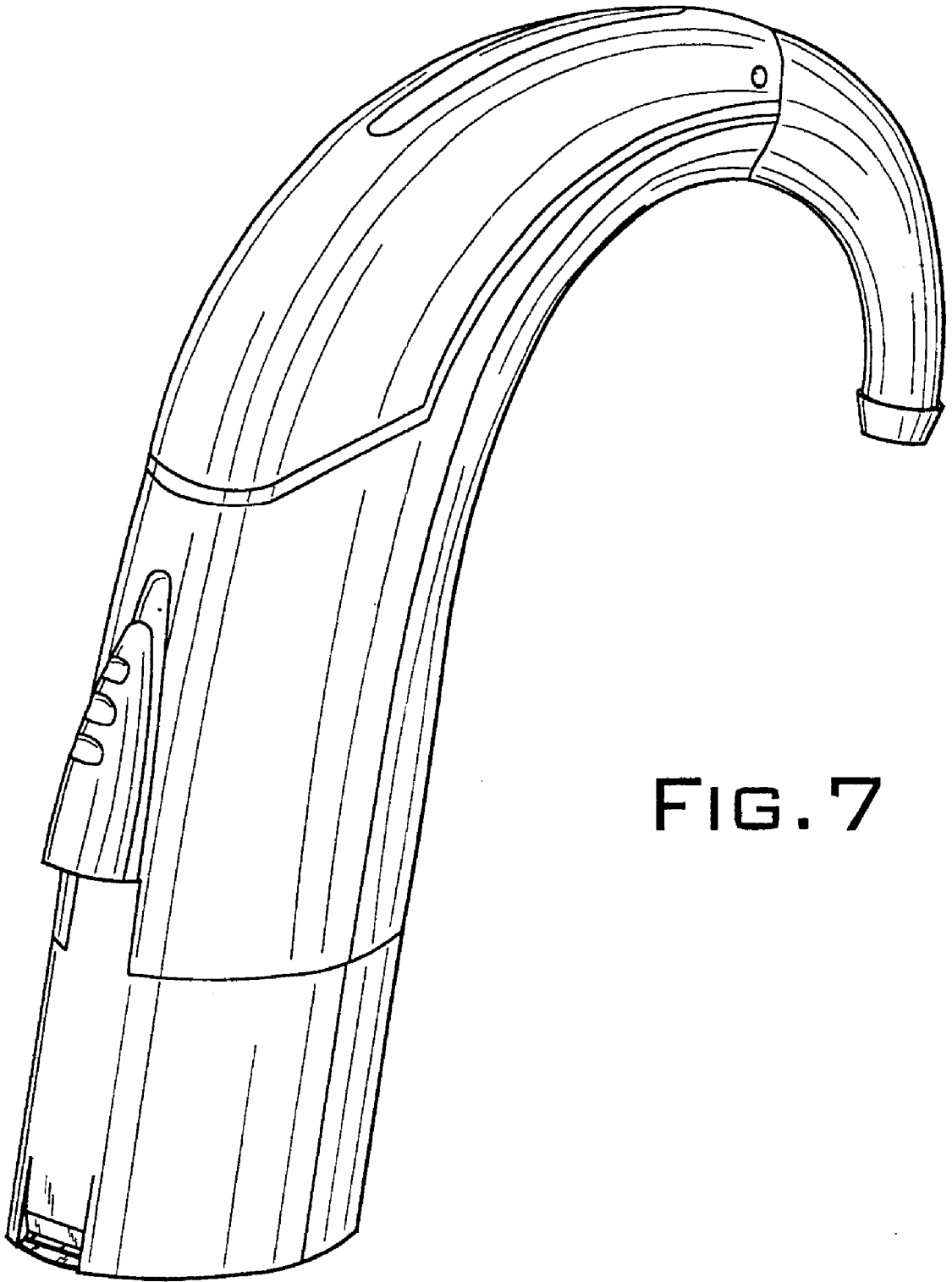
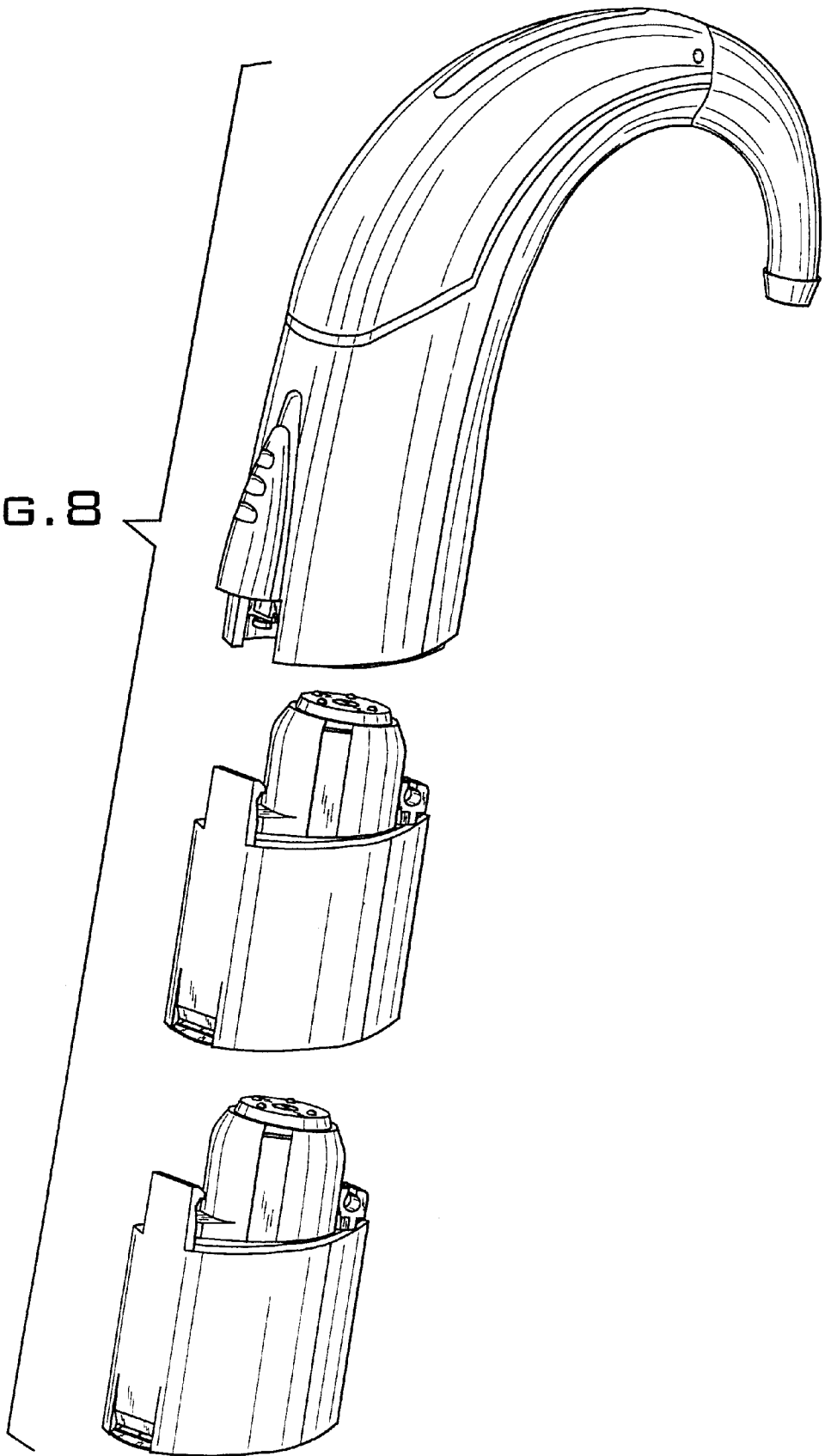


FIG. 7

FIG. 8



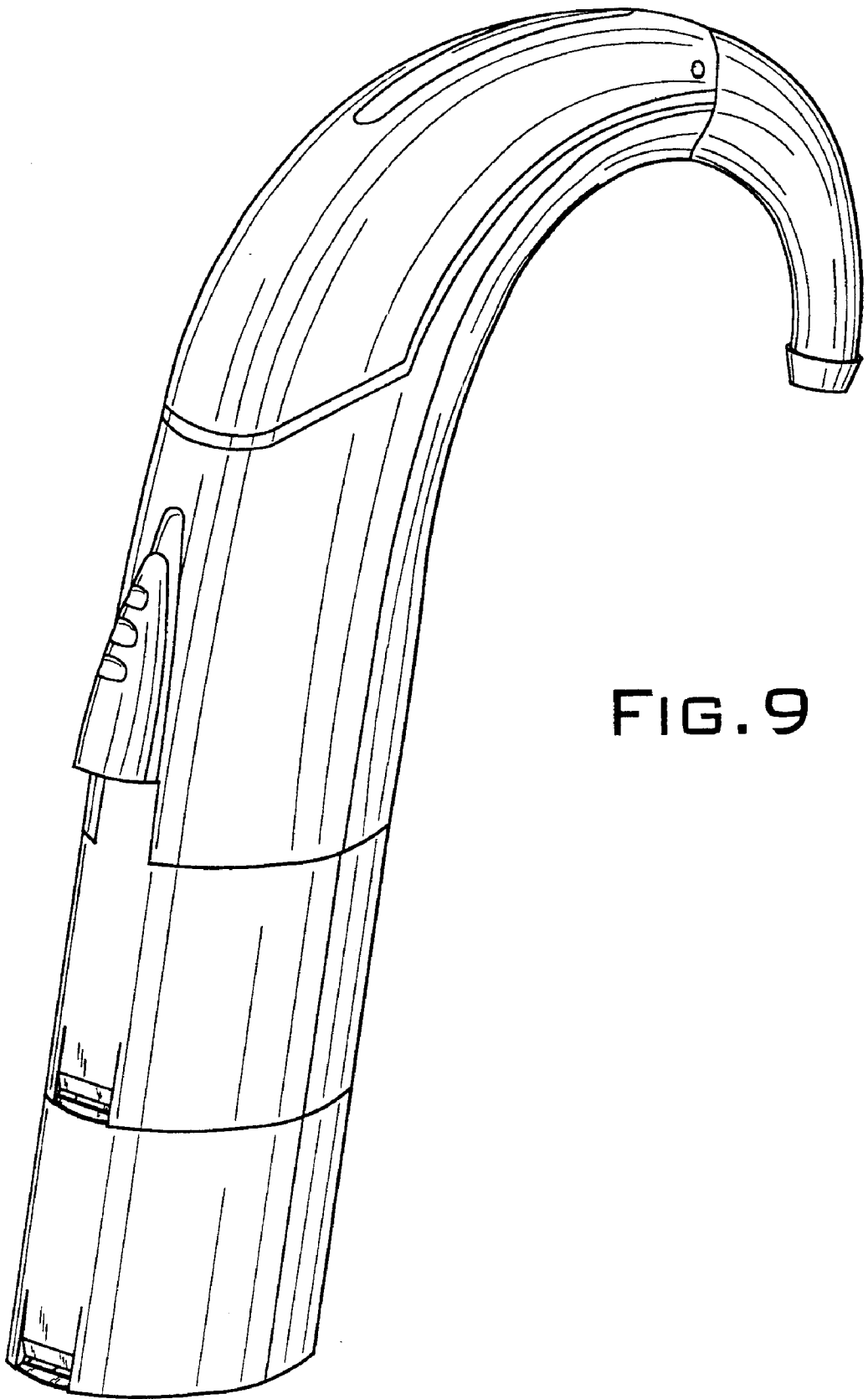


FIG. 9