



US00D831745S

(12) **United States Design Patent**
He

(10) **Patent No.:** **US D831,745 S**

(45) **Date of Patent:** **** Oct. 23, 2018**

- (54) **PEN HOLDER**
- (71) Applicant: **Shenzhen Chifang E-Commerce Co., Ltd.**, Shenzhen (CN)
- (72) Inventor: **Feitong He**, Shenzhen (CN)
- (73) Assignee: **SHENZHEN CHIFANG E-COMMERCE CO., LTD.**, Shenzhen (CN)
- (**) Term: **15 Years**
- (21) Appl. No.: **29/623,066**
- (22) Filed: **Oct. 23, 2017**
- (30) **Foreign Application Priority Data**

1,206,976	A *	12/1916	Barth	B43K 23/012
					401/8
1,879,456	A *	9/1932	Parsons	B43K 23/004
					401/7
2,709,419	A *	5/1955	Appel	B43K 23/012
					15/443
4,846,710	A *	7/1989	Campbell	G09B 11/02
					434/166
D318,295	S *	7/1991	Sze	D19/100
D344,880	S *	3/1994	Salas, Jr.	D19/135
5,310,345	A *	5/1994	Gershon	G09B 11/02
					15/443
D373,143	S *	8/1996	Jagger	D19/203
D396,059	S *	7/1998	Plantz	401/6
D410,682	S *	6/1999	Izushima	D19/174
6,019,533	A *	2/2000	Smith	B43K 23/008
					15/443
D432,168	S *	10/2000	Provda	D19/203
D478,741	S *	8/2003	White	D19/77
D546,823	S *	7/2007	Dayan	D14/253

(Continued)

Oct. 16, 2017 (EM) 004406650

- (51) **LOC (11) Cl.** **19-06**
- (52) **U.S. Cl.**
USPC **D19/203; D19/81**
- (58) **Field of Classification Search**
USPC D19/32, 75, 77-85, 135, 202-204;
D3/315, 901, 206; D6/677.3; D7/590,
D7/641; D9/415, 457, 722; D28/73;
D20/28, 40, 42
CPC .. B43K 23/001; B43K 23/002; B43K 23/004;
B43K 23/008; B43K 23/012; B43K
23/016; B43K 23/04; B43M 99/006;
B43M 99/008
See application file for complete search history.

(56) **References Cited**

U.S. PATENT DOCUMENTS

198,484	A *	12/1877	Briggs	B43K 23/012
					401/8
1,125,405	A *	1/1915	Seabaugh	B43K 23/012
					15/443

Primary Examiner — Elizabeth A. Albert

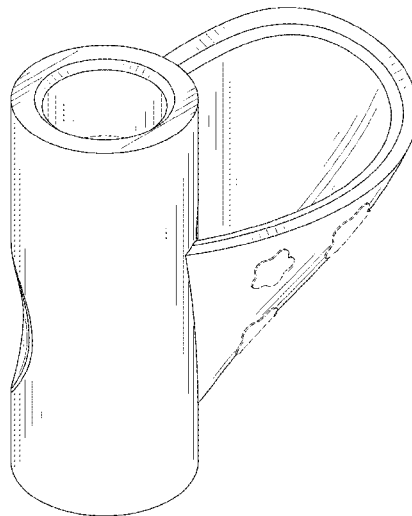
(57) **CLAIM**

The ornamental design for a pen holder, as shown and described.

DESCRIPTION

FIG. 1 is a perspective view of the pen holder showing my new design;
 FIG. 2 is a view taken from the opposite end to that shown in FIG. 1.
 FIG. 3 is a front elevational view thereof;
 FIG. 4 is a rear elevational view thereof;
 FIG. 5 is a left side elevational view thereof;
 FIG. 6 is a right side elevational view thereof;
 FIG. 7 is a top plan view thereof; and,
 FIG. 8 is a bottom plan view thereof.
 The broken lines are for the purposes of illustrating portions of the pen holder and form no part of the claimed design.

1 Claim, 8 Drawing Sheets



(56)

References Cited

U.S. PATENT DOCUMENTS

D591,345 S * 4/2009 Yu D19/121
D609,339 S * 2/2010 Myers A61M 37/0076
D24/133
D611,540 S * 3/2010 Li D19/203
D615,591 S * 5/2010 Li D19/203
D651,648 S * 1/2012 Luettgens D19/203
D664,415 S * 7/2012 Gomez D8/98
D668,294 S * 10/2012 Luettgens D19/203
D706,870 S * 6/2014 Pookrum D19/203
D782,895 S * 4/2017 Provda D19/203
2002/0072455 A1* 6/2002 Akins A63B 21/0724
482/93
2004/0126556 A1* 7/2004 Nowak A46B 5/021
428/304.4

* cited by examiner

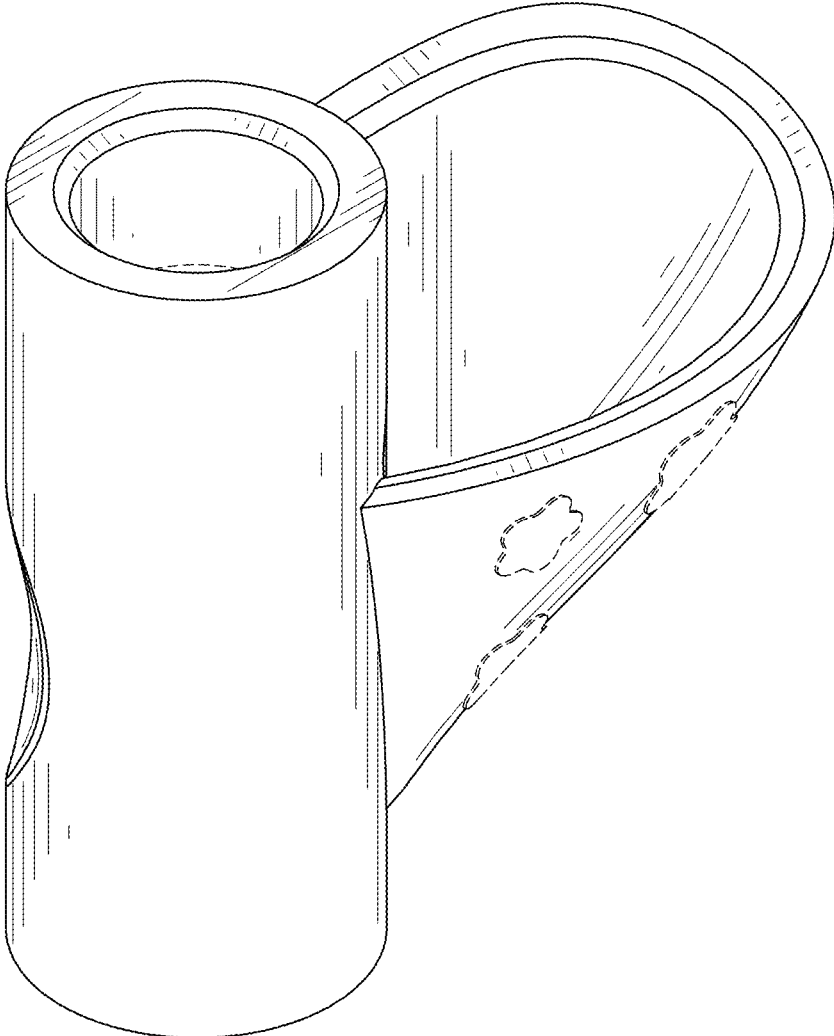


FIG. 1

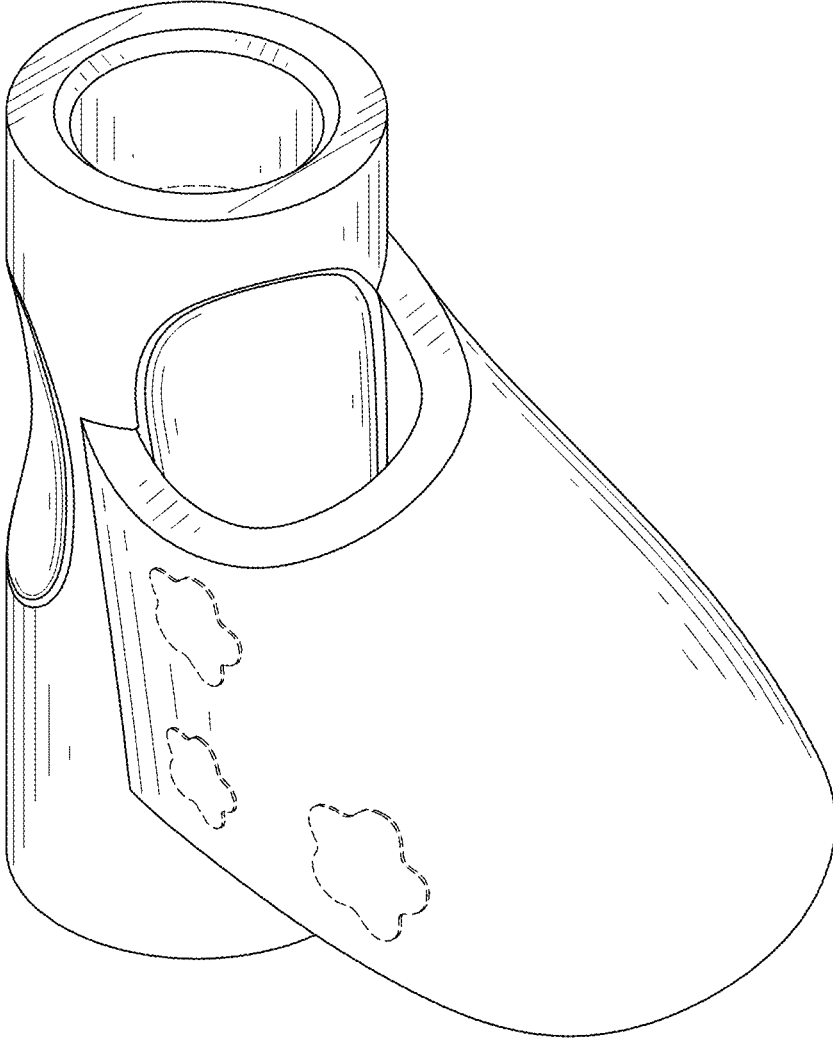


FIG. 2

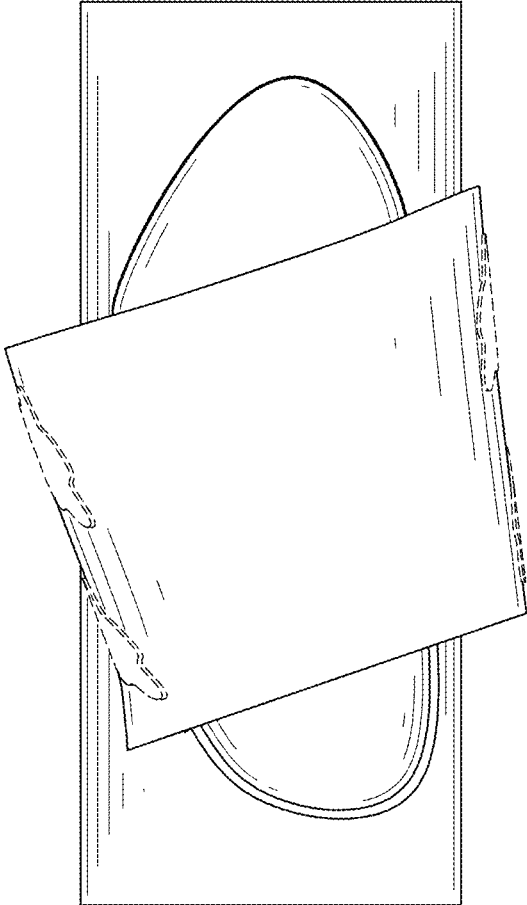


FIG. 3

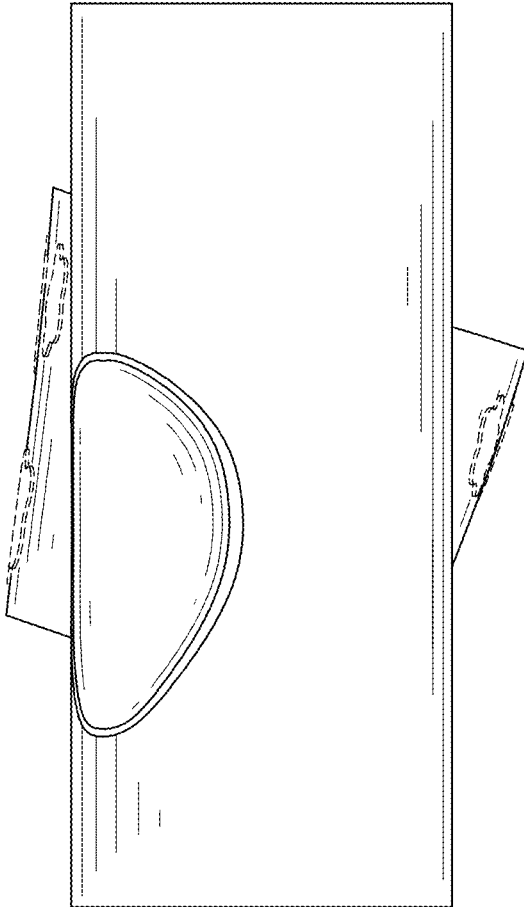


FIG. 4

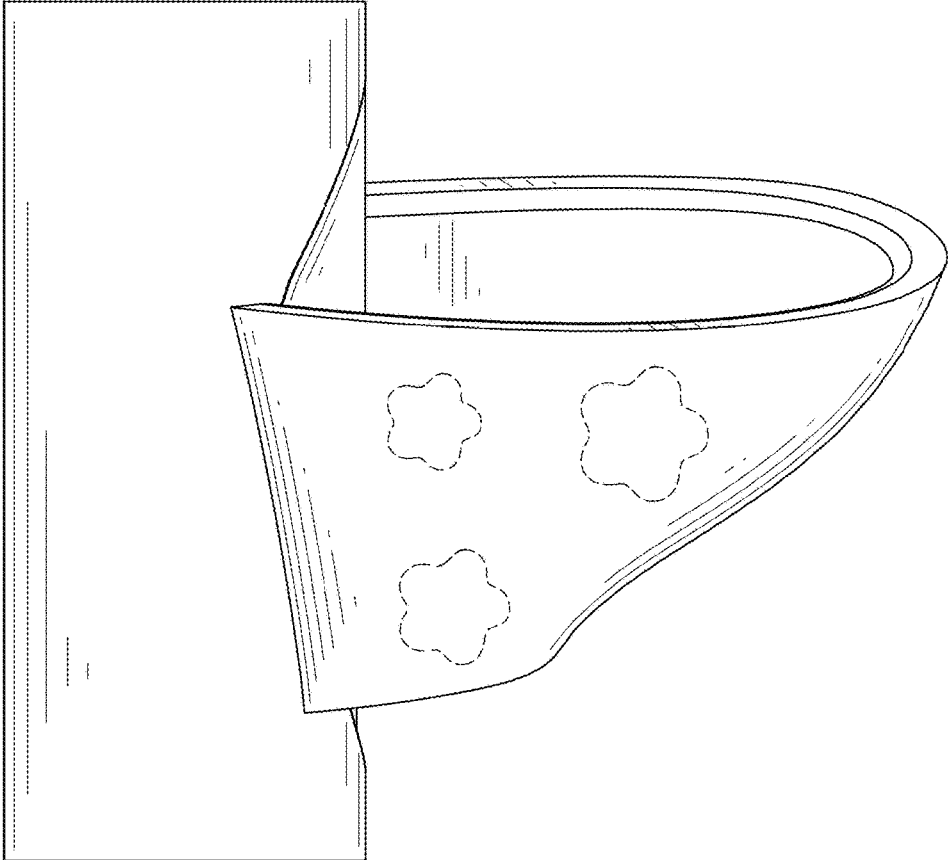


FIG. 5

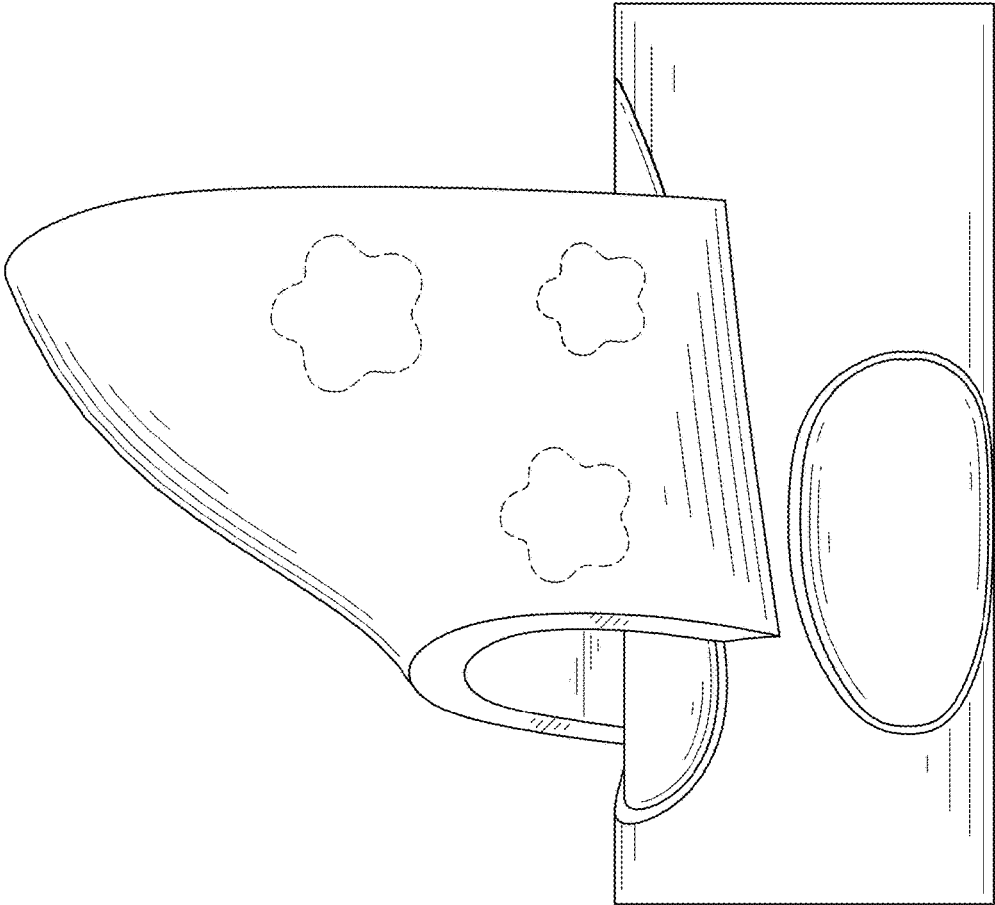


FIG. 6

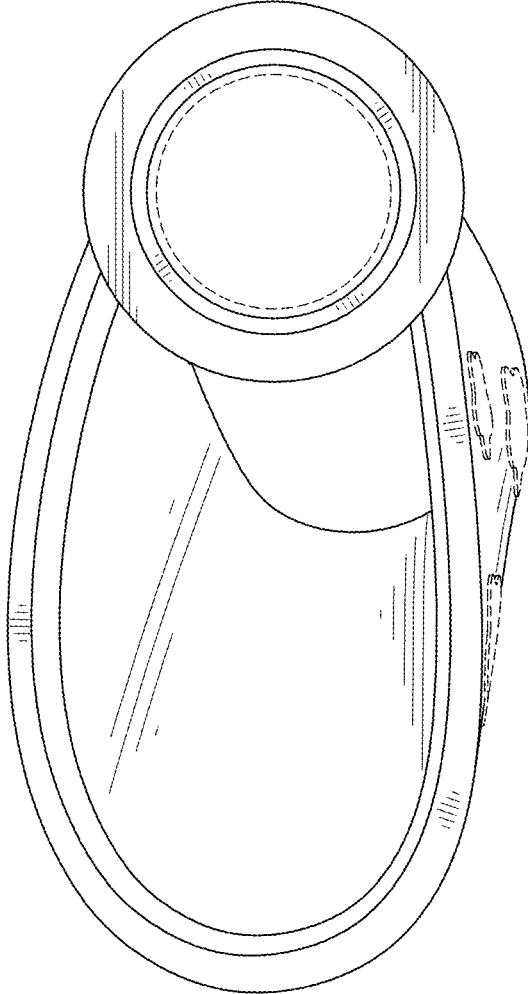


FIG. 7

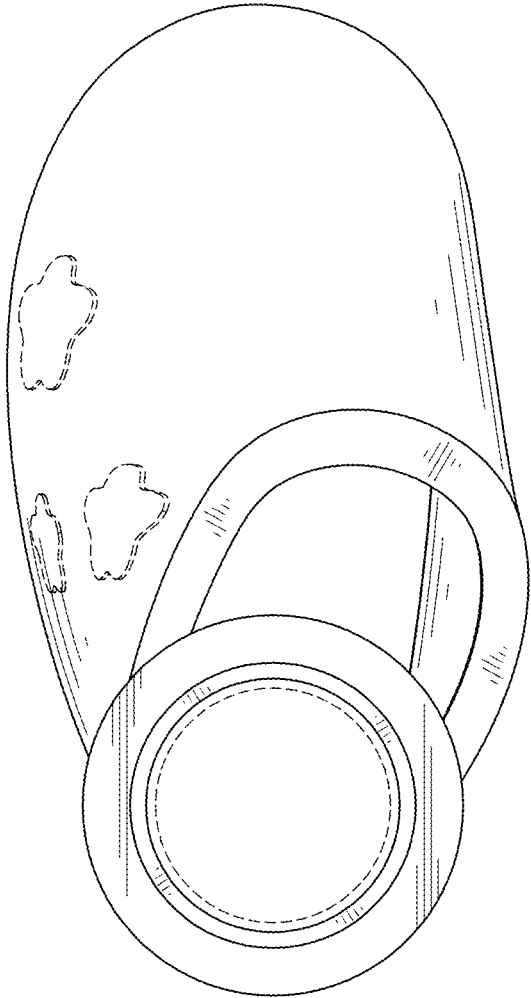


FIG. 8