

(19) World Intellectual Property Organization  
International Bureau



(43) International Publication Date  
8 May 2008 (08.05.2008)

PCT

(10) International Publication Number  
**WO 2008/055267 A3**

- (51) International Patent Classification:  
**G08B 13/14** (2006.01)
- (21) International Application Number:  
PCT/US2007/083661
- (22) International Filing Date:  
5 November 2007 (05.11.2007)
- (25) Filing Language: English
- (26) Publication Language: English
- (30) Priority Data:  
60/864,364 3 November 2006 (03.11.2006) US  
11/934,652 2 November 2007 (02.11.2007) US
- (71) Applicant (for all designated States except US): **LASER-CARD CORPORATION** [US/US]; 1875 No. Shoreline Boulevard, Mountain View, CA 94043 (US).
- (72) Inventor; and
- (75) Inventor/Applicant (for US only): **HADDOCK, Richard, M.** [US/US]; 703 Vernal Way, Redwood City, CA 94062 (US).
- (74) Agent: **SCHNECK, David, M.**; Schneck & Schneck, P.o. box 2-E, San Jose, CA 95109-0005 (US).
- (81) Designated States (unless otherwise indicated, for every kind of national protection available): AE, AG, AL, AM,

AT, AU, AZ, BA, BB, BG, BH, BR, BW, BY, BZ, CA, CH, CN, CO, CR, CU, CZ, DE, DK, DM, DO, DZ, EC, EE, EG, ES, FI, GB, GD, GE, GH, GM, GT, HN, HR, HU, ID, IL, IN, IS, JP, KE, KG, KM, KN, KP, KR, KZ, LA, LC, LK, LR, LS, LT, LU, LY, MA, MD, ME, MG, MK, MN, MW, MX, MY, MZ, NA, NG, NI, NO, NZ, OM, PG, PH, PL, PT, RO, RS, RU, SC, SD, SE, SG, SK, SL, SM, SV, SY, TJ, TM, TN, TR, TT, TZ, UA, UG, US, UZ, VC, VN, ZA, ZM, ZW.

(84) Designated States (unless otherwise indicated, for every kind of regional protection available): ARIPO (BW, GH, GM, KE, LS, MW, MZ, NA, SD, SL, SZ, TZ, UG, ZM, ZW), Eurasian (AM, AZ, BY, KG, KZ, MD, RU, TJ, TM), European (AT, BE, BG, CH, CY, CZ, DE, DK, EE, ES, FI, FR, GB, GR, HU, IE, IS, IT, LT, LU, LV, MC, MT, NL, PL, PT, RO, SE, SI, SK, TR), OAPI (BF, BJ, CF, CG, CI, CM, GA, GN, GQ, GW, ML, MR, NE, SN, TD, TG).

**Declarations under Rule 4.17:**

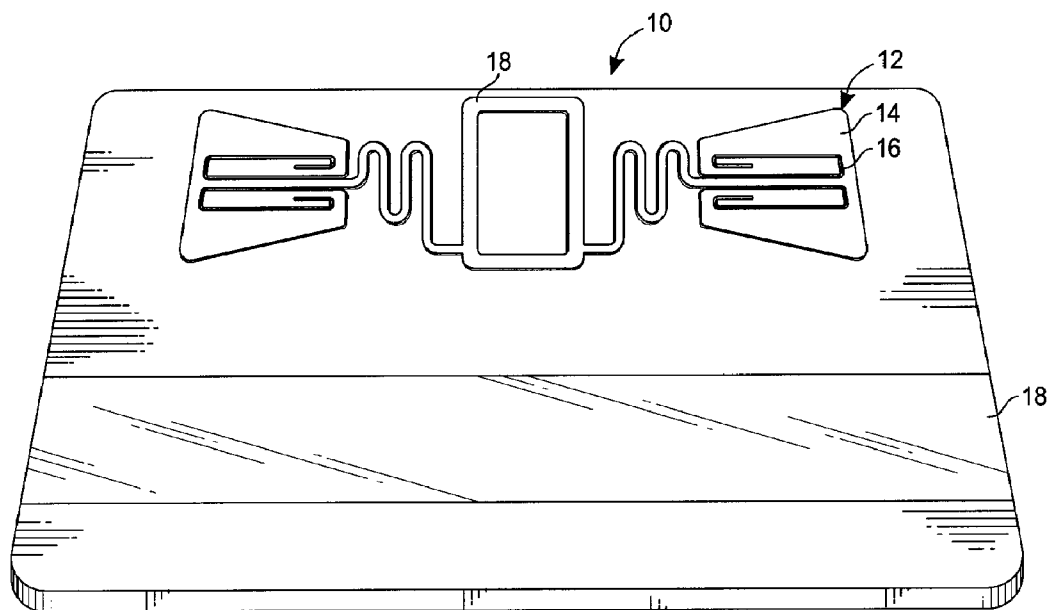
- as to applicant's entitlement to apply for and be granted a patent (Rule 4.17(ii))
- as to the applicant's entitlement to claim the priority of the earlier application (Rule 4.17(iii))

**Published:**

- with international search report

[Continued on next page]

(54) Title: ANTENNA USING OPTICAL RECORDING MEDIA



(57) Abstract: An RFID device (10), where the antenna (12) of the device (10) is made of an optical media material. This optical material may be used to store optical data in a number of different forms, including as holograms and as pits having comparatively greater or lesser reflectivity compared to surrounding media. Alternatively, the RFID device (10) includes optical media stores a security feature used to authenticate the RFID device.



WO 2008/055267 A3



— *before the expiration of the time limit for amending the claims and to be republished in the event of receipt of amendments*

**(88) Date of publication of the international search report:**  
24 July 2008

## INTERNATIONAL SEARCH REPORT

International application No.

PCT/US 07/83661

<b>A. CLASSIFICATION OF SUBJECT MATTER</b> IPC(8) - G08B 13/14 (2008.04) USPC - 340/572.7 According to International Patent Classification (IPC) or to both national classification and IPC		
<b>B. FIELDS SEARCHED</b> Minimum documentation searched (classification system followed by classification symbols) USPC: 340/572.7  Documentation searched other than minimum documentation to the extent that such documents are included in the fields searched USPC: 340/572.1, 572.7, 572.8; 369/272.1 (search term limited)  Electronic data base consulted during the international search (name of data base and, where practicable, search terms used) WEST (DB=USPAT, USPGPB, EPAB, JPAB); Google search, terms including: optical disk, disc, RFID, transponder, optical media, data, track, antenna, substrate, active, battery, layer, RF, transmission		
<b>C. DOCUMENTS CONSIDERED TO BE RELEVANT</b>		
Category*	Citation of document, with indication, where appropriate, of the relevant passages	Relevant to claim No.
X	US 2006/0071795 A1 (BENEDIKT) 06 April 2006 (06.04.2006) para [0002], [0010], [0012], [0033]-[0041], [0047].	1-11
A	US 2006/0192653 A1 (ATKINSON et al.) 31 August 2006 (31.08.2006) entire document.	1-11
A	US 6,100,804 A (BRADY et al.) 08 August 2000 (08.08.2000) entire document.	1-11
<input type="checkbox"/> Further documents are listed in the continuation of Box C. <input type="checkbox"/>		
<p>* Special categories of cited documents:</p> <p>"A" document defining the general state of the art which is not considered to be of particular relevance</p> <p>"E" earlier application or patent but published on or after the international filing date</p> <p>"L" document which may throw doubts on priority claim(s) or which is cited to establish the publication date of another citation or other special reason (as specified)</p> <p>"O" document referring to an oral disclosure, use, exhibition or other means</p> <p>"P" document published prior to the international filing date but later than the priority date claimed</p> <p>"T" later document published after the international filing date or priority date and not in conflict with the application but cited to understand the principle or theory underlying the invention</p> <p>"X" document of particular relevance; the claimed invention cannot be considered novel or cannot be considered to involve an inventive step when the document is taken alone</p> <p>"Y" document of particular relevance; the claimed invention cannot be considered to involve an inventive step when the document is combined with one or more other such documents, such combination being obvious to a person skilled in the art</p> <p>"&amp;" document member of the same patent family</p>		
Date of the actual completion of the international search 18 April 2008 (18.04.2008)		Date of mailing of the international search report <b>15 MAY 2008</b>
Name and mailing address of the ISA/US Mail Stop PCT, Attn: ISA/US, Commissioner for Patents P.O. Box 1450, Alexandria, Virginia 22313-1450 Facsimile No. 571-273-3201		Authorized officer: Lee W. Young  PCT Helpdesk: 571-272-4300 PCT OSP: 571-272-7774