



US00D650545S

(12) **United States Design Patent**  
**Malone, Jr. et al.**

(10) **Patent No.:** **US D650,545 S**

(45) **Date of Patent:** **\*\* Dec. 13, 2011**

(54) **EXTENDABLE ROLLER BASE FOR INDOOR HEATER**

(76) Inventors: **Cleophas F. Malone, Jr.**, Emporia, VA (US); **Nikita Malone**, Emporia, VA (US)

(\*\*) Term: **14 Years**

(21) Appl. No.: **29/385,809**

(22) Filed: **Feb. 21, 2011**

(51) **LOC (9) Cl.** ..... **12-02**

(52) **U.S. Cl.** ..... **D34/23**

(58) **Field of Classification Search** ..... D34/12-27;  
280/79.11, 32.5, 32.6, 79.2, 79.7; 108/56.1;  
248/129

See application file for complete search history.

(56) **References Cited**

**U.S. PATENT DOCUMENTS**

781,243	A	*	1/1905	Thompson	.....	280/651
D127,916	S	*	6/1941	Whitfield	.....	D34/23
2,961,250	A		11/1960	Beach		
3,208,768	A	*	9/1965	Hulbert	.....	280/408
D204,752	S		5/1966	Tvetan		
3,984,116	A	*	10/1976	Bowers	.....	280/32.6
5,472,220	A		12/1995	Stephan		
5,823,549	A		10/1998	Morgan, Jr.		
5,863,053	A	*	1/1999	Berry	.....	280/32.6

D427,406	S	*	6/2000	Hartwall	.....	D34/23
D472,358	S		3/2003	Beese, Jr.		
6,886,787	B2		5/2005	Stahl		
D547,517	S	*	7/2007	Hernandez	.....	D34/23
D549,920	S		8/2007	Dukes		
D620,669	S	*	7/2010	Hernandez	.....	D34/23
2005/0212242	A1	*	9/2005	Cheng	.....	280/79.11
2011/0156367	A1	*	6/2011	King	.....	280/79.11

\* cited by examiner

*Primary Examiner* — Cynthia Ramirez

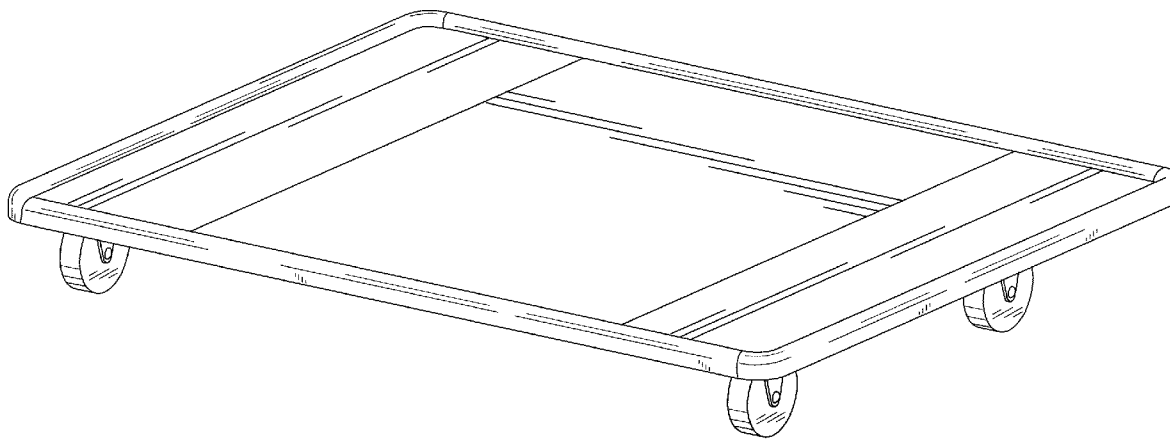
(57) **CLAIM**

The ornamental design for an extendable roller base for indoor heater, as shown and described.

**DESCRIPTION**

FIG. 1 is a top perspective view of an extendable roller base for indoor heater, showing our new design;  
 FIG. 2 is a top perspective view of the extendable roller base for indoor heater depicted in a partially extended state;  
 FIG. 3 is a bottom perspective view of thereof;  
 FIG. 4 is a front view thereof with a rear view being a mirror image;  
 FIG. 5 is a left side view thereof with a right side being a mirror image;  
 FIG. 6 is a top view thereof; and  
 FIG. 7 is a bottom view thereof.

**1 Claim, 7 Drawing Sheets**



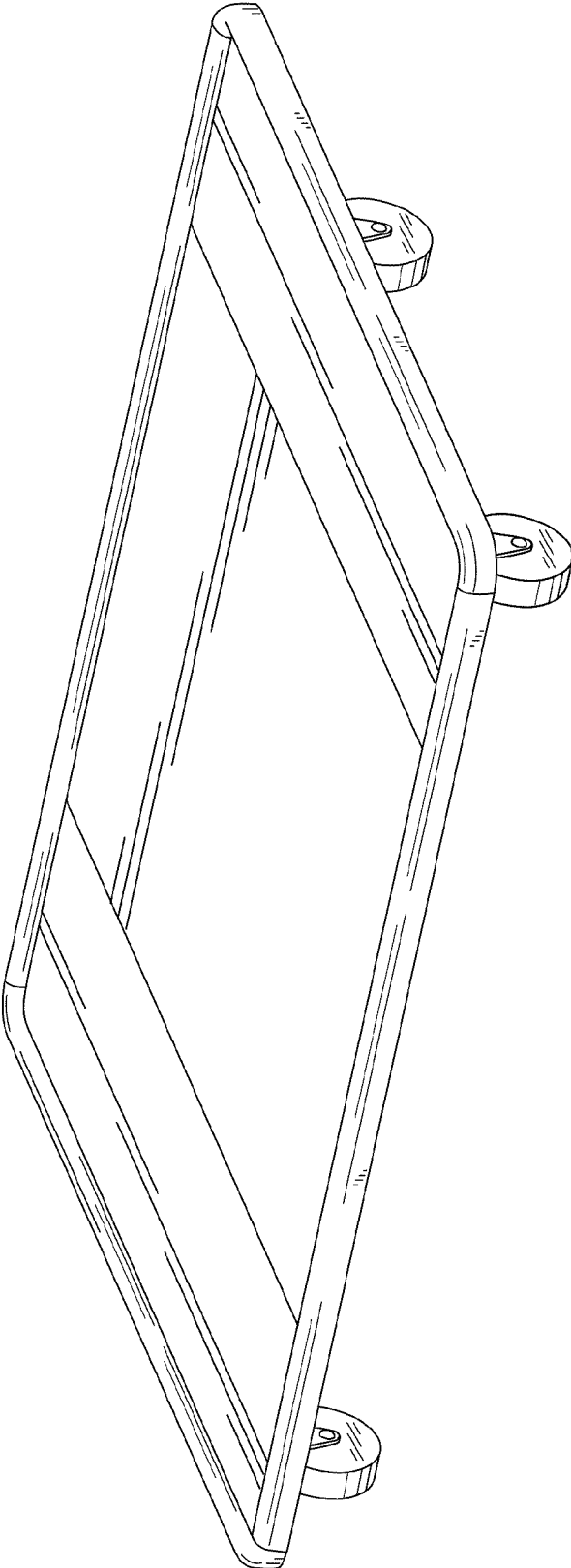


Fig. 1

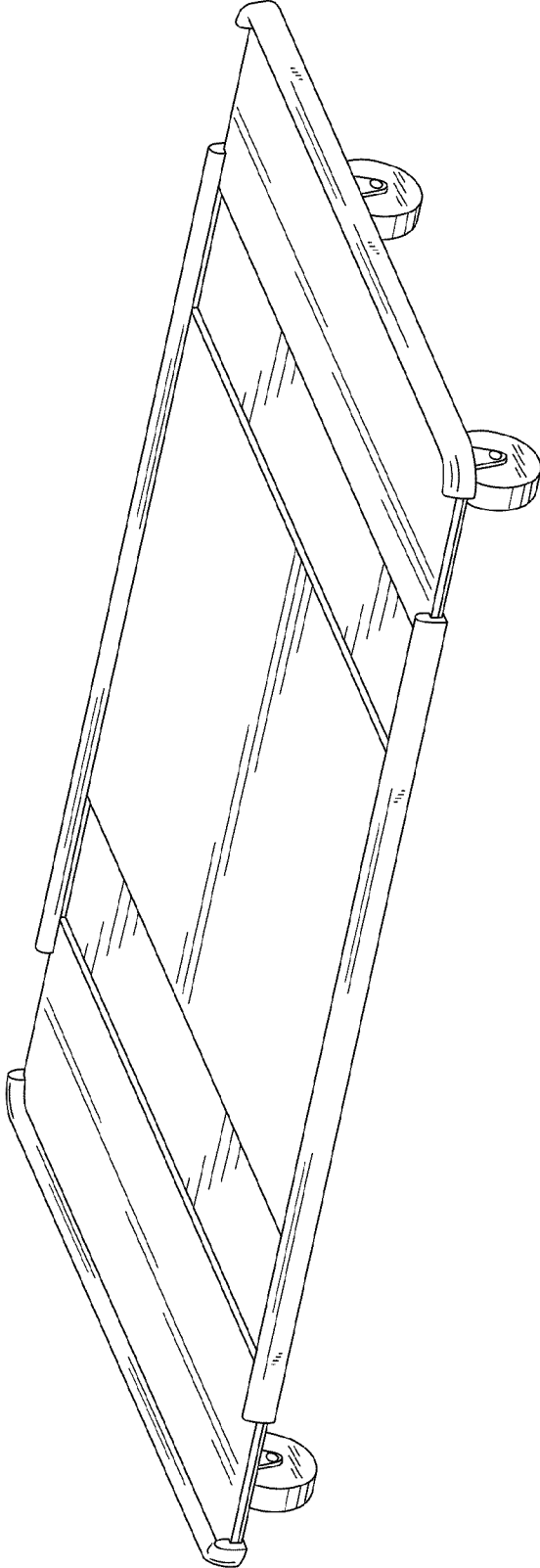


Fig. 2

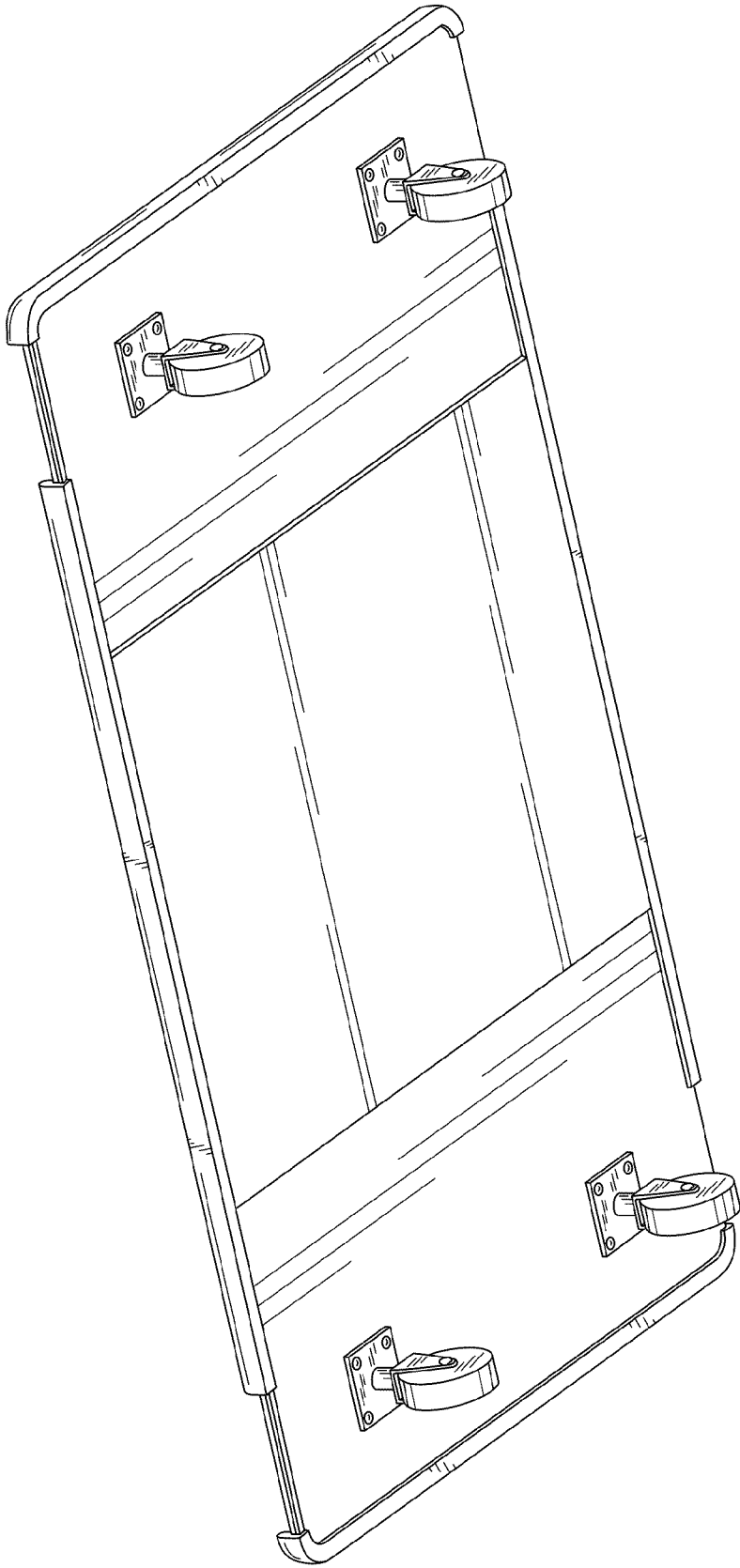


Fig. 3

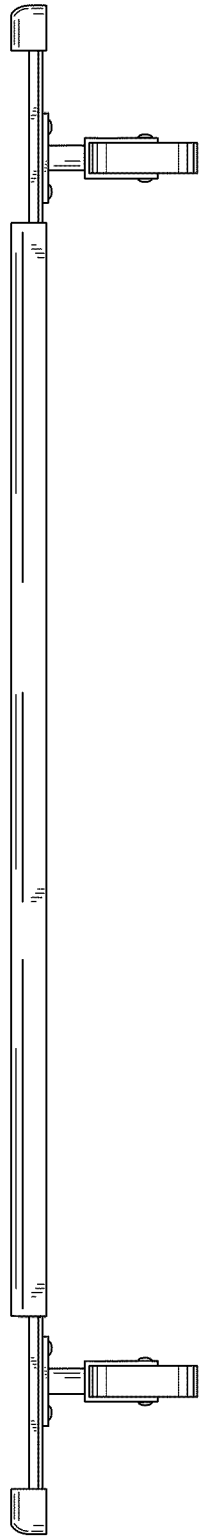


Fig. 4

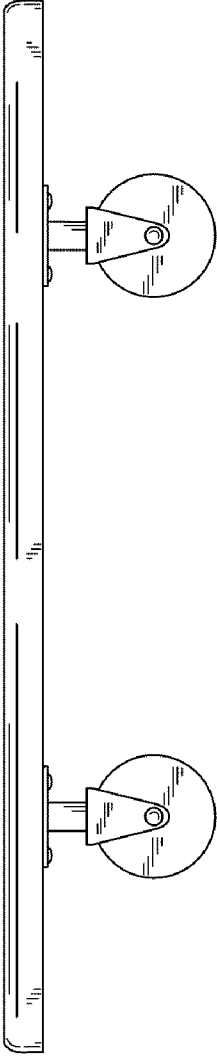


Fig. 5

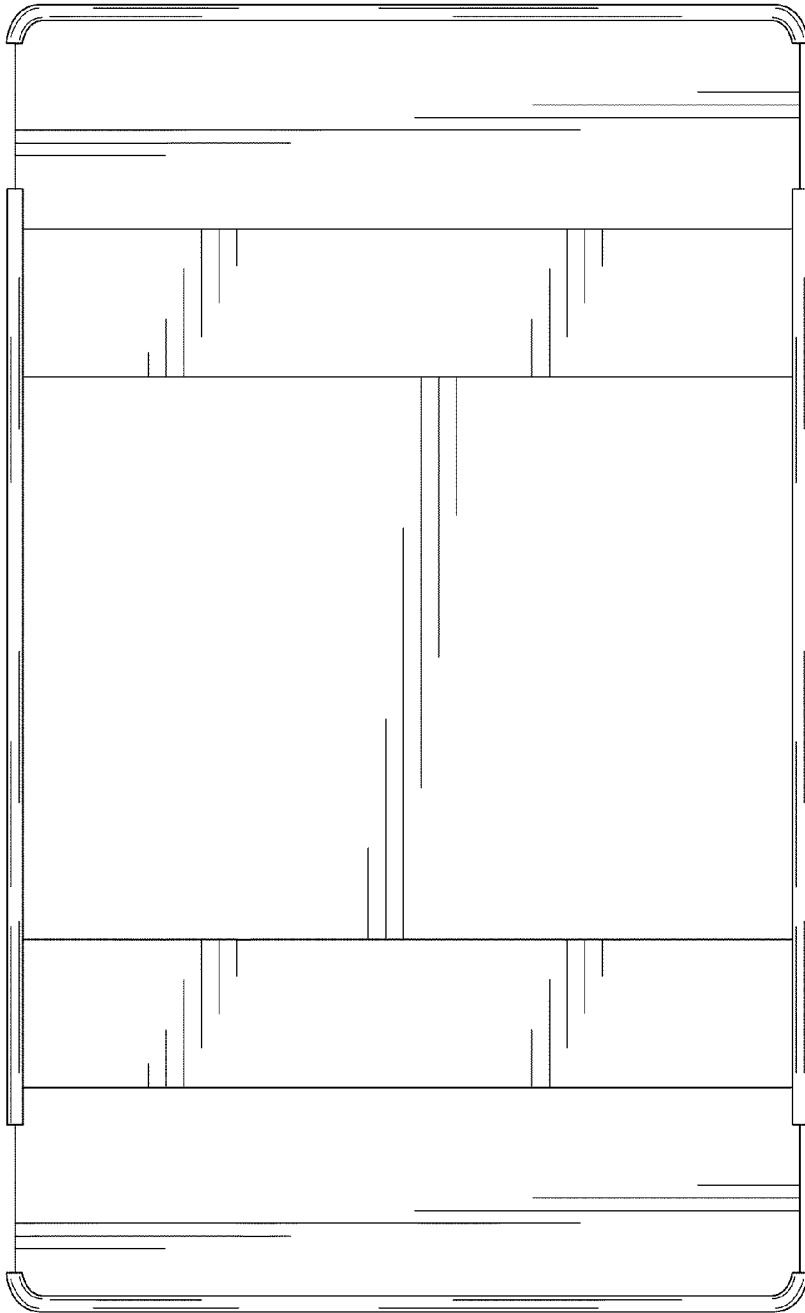


Fig. 6

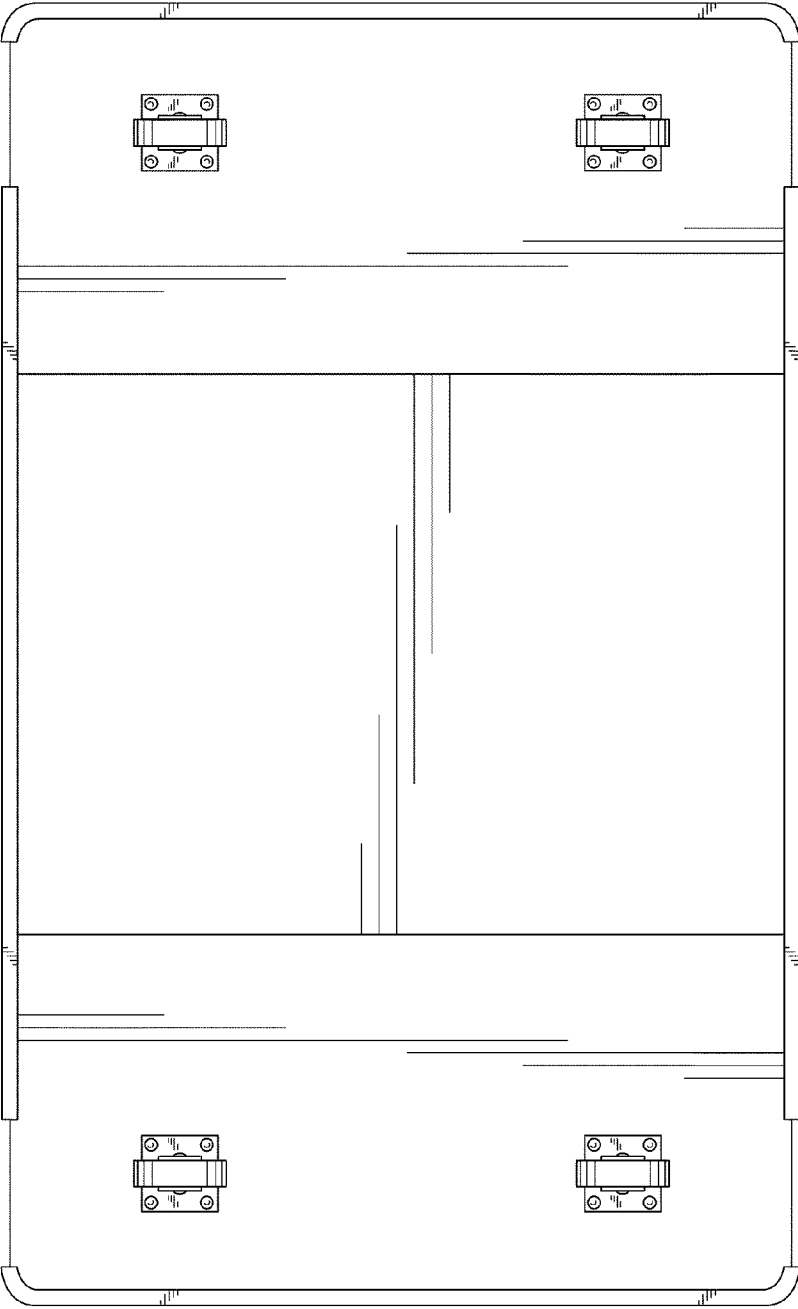


Fig. 7