

(19) World Intellectual Property Organization
International Bureau



(43) International Publication Date
4 March 2004 (04.03.2004)

PCT

(10) International Publication Number
WO 2004/019481 A3

(51) International Patent Classification⁷: H03D 1/02, H04L 7/00, 25/08

(21) International Application Number: PCT/US2003/026440

(22) International Filing Date: 21 August 2003 (21.08.2003)

(25) Filing Language: English

(26) Publication Language: English

(30) Priority Data: 10/226,074 21 August 2002 (21.08.2002) US

(71) Applicant: INTEL CORPORATION [US/US]; 2200 Mission College Boulevard, Santa Clara, CA 95052 (US).

(72) Inventors: GRIFFIN, Jed; 3025 Periwinkle street, Forest Grove, OR 97116 (US). JEX, Jerry; 10615 Tilley Road South, Olympia, WA 98512 (US). PRINCE, Brett; 7035 SW 164th Terrace, Beaverton, OR 97007 (US). SELF, Keith; 8985 SW 190th Avenue, Aloha, OR 97007 (US).

(74) Agents: MALLIE, Michael, J. et al.; Blakey, Sokoloff, Taylor & Zafman, 12400 Wilshire Boulevard, 7th Floor, Los Angeles, CA 90025 (US).

(81) Designated States (national): AE, AG, AL, AM, AT, AU, AZ, BA, BB, BG, BR, BY, BZ, CA, CH, CN, CO, CR, CU, CZ, DE, DK, DM, DZ, EC, EE, ES, FI, GB, GD, GE, GH, GM, HR, HU, ID, IL, IN, IS, JP, KE, KG, KP, KR, KZ, LC, LK, LR, LS, LT, LU, LV, MA, MD, MG, MK, MN, MW, MX, MZ, NO, NZ, OM, PH, PL, PT, RO, RU, SC, SD, SE, SG, SK, SL, TJ, TM, TN, TR, TT, TZ, UA, UG, UZ, VC, VN, YU, ZA, ZM, ZW.

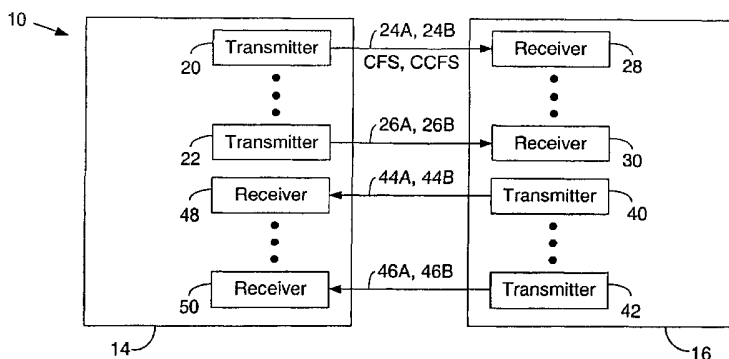
(84) Designated States (regional): ARIPO patent (GH, GM, KE, LS, MW, MZ, SD, SL, SZ, TZ, UG, ZM, ZW), Eurasian patent (AM, AZ, BY, KG, KZ, MD, RU, TJ, TM), European patent (AT, BE, BG, CH, CY, CZ, DE, DK, EE, ES, FI, FR, GB, GR, HU, IE, IT, LU, MC, NL, PT, RO, SE, SI, SK, TR), OAPI patent (BF, BJ, CF, CG, CI, CM, GA, GN, GQ, GW, ML, MR, NE, SN, TD, TG).

Published: with international search report

(88) Date of publication of the international search report: 29 April 2004

For two-letter codes and other abbreviations, refer to the "Guidance Notes on Codes and Abbreviations" appearing at the beginning of each regular issue of the PCT Gazette.

(54) Title: CONTROLLED FREQUENCY SIGNALS



(57) Abstract: In some embodiments, a transmitter includes first encoding controlled frequency output circuitry to create a magnitude encoded controlled frequency signal (CFS) and second encoding controlled frequency output circuitry to create a complementary a magnitude encoded controlled frequency signal (CCFS). Other embodiments are described and claimed.

WO 2004/019481 A3

INTERNATIONAL SEARCH REPORT

PCT/US 03/26440

A. CLASSIFICATION OF SUBJECT MATTER

IPC 7 H03D1/02 H04L7/00 H04L25/08

According to International Patent Classification (IPC) or to both national classification and IPC

B. FIELDS SEARCHED

Minimum documentation searched (classification system followed by classification symbols)

IPC 7 G01R G06F H03D H04B H04L

Documentation searched other than minimum documentation to the extent that such documents are included in the fields searched

Electronic data base consulted during the international search (name of data base and, where practical, search terms used)

EPO-Internal, WPI Data, IBM-TDB

C. DOCUMENTS CONSIDERED TO BE RELEVANT

| Category * | Citation of document, with indication, where appropriate, of the relevant passages | Relevant to claim No. |
|------------|--|-----------------------|
| X | US 5 317 597 A (EISELE HARALD) 31 May 1994 (1994-05-31) abstract; figures 1-3 column 4, line 25 - line 39 --- | 1-28 |
| X | US 6 154 498 A (DABRAL SANJAY ET AL) 28 November 2000 (2000-11-28) abstract; claims 1-15; figures 2-6 column 4, line 10 - line 25 column 3, line 63 -column 5, line 5 --- | 1-28 |
| A | US 5 491 434 A (HARNISHFEGER DAVID B ET AL) 13 February 1996 (1996-02-13) abstract; claims 1-12; figure 1 column 1, line 54 -column 2, line 38 --- -/-- | 1-28 |

 Further documents are listed in the continuation of box C. Patent family members are listed in annex.

* Special categories of cited documents:

"A" document defining the general state of the art which is not considered to be of particular relevance

"E" earlier document but published on or after the international filing date

"L" document which may throw doubts on priority claim(s) or which is cited to establish the publication date of another citation or other special reason (as specified)

"O" document referring to an oral disclosure, use, exhibition or other means

"P" document published prior to the international filing date but later than the priority date claimed

"T" later document published after the international filing date or priority date and not in conflict with the application but cited to understand the principle or theory underlying the invention

"X" document of particular relevance; the claimed invention cannot be considered novel or cannot be considered to involve an inventive step when the document is taken alone

"Y" document of particular relevance; the claimed invention cannot be considered to involve an inventive step when the document is combined with one or more other such documents, such combination being obvious to a person skilled in the art.

"&" document member of the same patent family

Date of the actual completion of the international search

3 February 2004

Date of mailing of the international search report

10/02/2004

Name and mailing address of the ISA

European Patent Office, P.B. 5818 Patentlaan 2
NL - 2280 HV Rijswijk
Tel. (+31-70) 340-2040, Tx. 31 651 epo nl,
Fax: (+31-70) 340-3016

Authorized officer

Wolters, R

INTERNATIONAL SEARCH REPORT

PCT/US 03/26440

| C.(Continuation) DOCUMENTS CONSIDERED TO BE RELEVANT | | |
|--|--|-----------------------|
| Category ° | Citation of document, with indication, where appropriate, of the relevant passages | Relevant to claim No. |
| A | US 5 347 543 A (LECOCO JEAN-LUC ET AL) 13 September 1994 (1994-09-13) abstract; claim 1; figure 1 column 1, line 63 -column 2, line 19 column 2, line 62 -column 3, line 4 --- | 1-28 |
| A | EP 0 917 324 A (STMICROELECTRONICS GMBH) 19 May 1999 (1999-05-19) abstract; figures 1-9 --- | 1-28 |
| A | EP 0 110 427 A (DIRR JOSEF) 13 June 1984 (1984-06-13) abstract; figures 2A-3C page 1, line 1 - line 8 page 3, line 14 - line 21 page 4, line 37 -page 5, line 33 page 7, line 10 - line 32 page 8, line 35 -page 9, line 6 ----- | 1-28 |

INTERNATIONAL SEARCH REPORT

PCT/US 03/26440

| Patent document cited in search report | | Publication date | Patent family member(s) | Publication date |
|--|---|------------------|-------------------------|------------------|
| US 5317597 | A | 31-05-1994 | DE 3926885 A1 | 21-02-1991 |
| | | | DE 59008793 D1 | 04-05-1995 |
| | | | EP 0416679 A1 | 13-03-1991 |
| | | | JP 3096144 A | 22-04-1991 |
| | | | JP 3130915 B2 | 31-01-2001 |
| ----- | | | | |
| US 6154498 | A | 28-11-2000 | NONE | |
| ----- | | | | |
| US 5491434 | A | 13-02-1996 | JP 8237047 A | 13-09-1996 |
| ----- | | | | |
| US 5347543 | A | 13-09-1994 | FR 2680294 A1 | 12-02-1993 |
| | | | DE 69201282 D1 | 09-03-1995 |
| | | | DE 69201282 T2 | 10-08-1995 |
| | | | EP 0527076 A1 | 10-02-1993 |
| | | | ES 2068014 T3 | 01-04-1995 |
| | | | JP 3335670 B2 | 21-10-2002 |
| | | | JP 5199285 A | 06-08-1993 |
| ----- | | | | |
| EP 0917324 | A | 19-05-1999 | DE 19750317 A1 | 20-05-1999 |
| | | | EP 0917324 A2 | 19-05-1999 |
| | | | US 6493401 B1 | 10-12-2002 |
| ----- | | | | |
| EP 0110427 | A | 13-06-1984 | DE 3328268 A1 | 16-02-1984 |
| | | | DE 3340378 A1 | 15-05-1985 |
| | | | AT 51481 T | 15-04-1990 |
| | | | CA 1214277 A1 | 18-11-1986 |
| | | | DE 3340377 A1 | 07-06-1984 |
| | | | EP 0110427 A2 | 13-06-1984 |
| | | | JP 59132253 A | 30-07-1984 |
| | | | US 4731798 A | 15-03-1988 |
| ----- | | | | |