



US00D736867S

(12) **United States Design Patent**
Glickfield

(10) **Patent No.:** **US D736,867 S**

(45) **Date of Patent:** **** Aug. 18, 2015**

(54) **PRESS BLOCK**

(71) Applicant: **Adam Sloan Glickfield**, Miami Beach,
FL (US)

(72) Inventor: **Adam Sloan Glickfield**, Miami Beach,
FL (US)

(**) Term: **14 Years**

(21) Appl. No.: **29/502,687**

(22) Filed: **Sep. 18, 2014**

(51) **LOC (10) Cl.** **21-02**

(52) **U.S. Cl.**
USPC **D21/671**

(58) **Field of Classification Search**

USPC D21/797, 694, 671, 686, 698, 699, 680,
D21/685, 692, 662, 687, 689, 318, 688, 412,
D21/333, 683, 798; D19/37, 64, 59;
D8/330, 1, 16; D9/624, 629;
D14/417.496; 15/104.93, 105, 118,
15/229.11, 208; D25/139, 155, 62, 65;
D6/349, 582, 592, 335, 350, 583, 588,
D6/585; 99/472, 467; D34/23, 1; 297/461,
297/223, 423.41; 269/289 R, 13, 15, 14;
206/501, 514, 4.27, 8; 156/250, 256,
156/272.8, 308.2, 330, 60, 213; 248/678;
D7/698, 699, 629, 388; 220/4.26;
217/3 R; D24/190, 191, 192, 167;
D17/99; D3/294, 282, 905; D30/118;
182/33; D99/17, 1; 428/122; 451/534,
451/539; 482/142, 52, 51, 30, 74, 91, 140,
482/25, 94; 446/117, 69; 473/278

See application file for complete search history.

(56) **References Cited**

U.S. PATENT DOCUMENTS

1,811,674	A *	6/1931	Longley	108/171
D242,423	S *	11/1976	Culligan	D34/1
4,203,525	A *	5/1980	Okubo	220/4.26
4,950,033	A *	8/1990	Anderson	297/461
D337,362	S *	7/1993	Goldstein et al.	D21/671
D353,029	S *	11/1994	Northrop et al.	D30/108
5,749,555	A *	5/1998	Albrecht	248/346.01
D396,566	S *	8/1998	Albrecht	D6/349
5,853,352	A *	12/1998	Login	482/26
D408,555	S *	4/1999	Albrecht	D25/65
D650,184	S *	12/2011	Hsu	D6/349
D668,070	S *	10/2012	Kim	D6/353
D690,522	S *	10/2013	Pontiff	D6/349
D707,975	S *	7/2014	Habraken	D6/353
2013/0023392	A1 *	1/2013	Glickfield	482/142

* cited by examiner

Primary Examiner — Robert M Spear

Assistant Examiner — Ryan Harvey

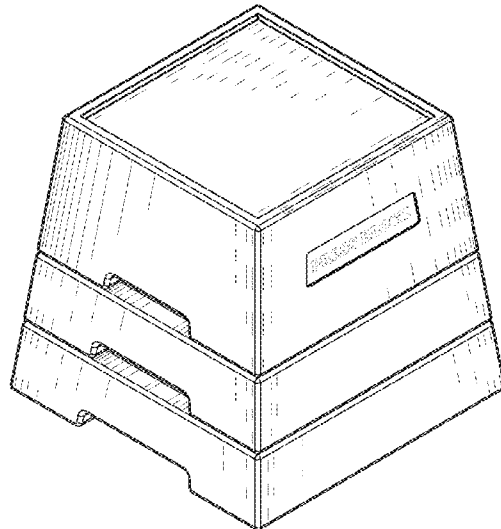
(57) **CLAIM**

The ornamental design for a press block, as shown and described.

DESCRIPTION

FIG. 1 is a perspective view of the press block;
FIG. 2 is a front elevational view thereof;
FIG. 3 is a rear elevational view thereof;
FIG. 4 is a left-side elevational view thereof;
FIG. 5 is a right-side elevational view thereof;
FIG. 6 is a top plan view thereof;
FIG. 7 is a bottom plan view thereof; and,
FIG. 8 is an exploded perspective view thereof.
The broken line showing of a logo in FIG. 1, FIG. 4, FIG. 5,
and FIG. 8 is included for the purpose of showing environ-
mental structure and forms no part of the claimed design.

1 Claim, 8 Drawing Sheets



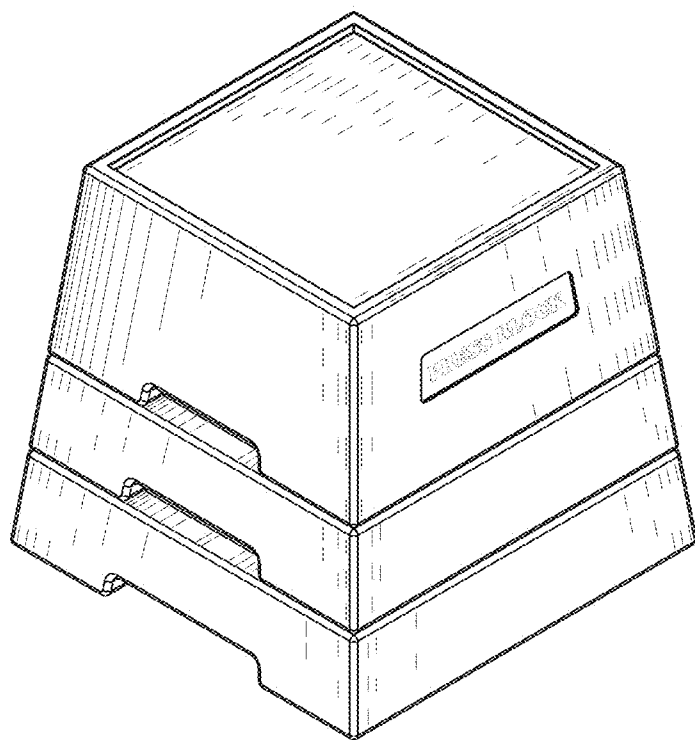


FIG. 1

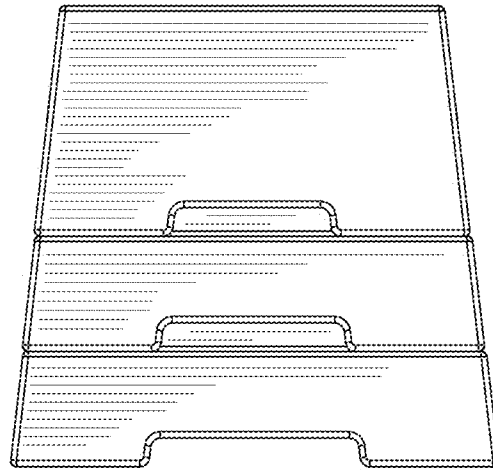


FIG. 2

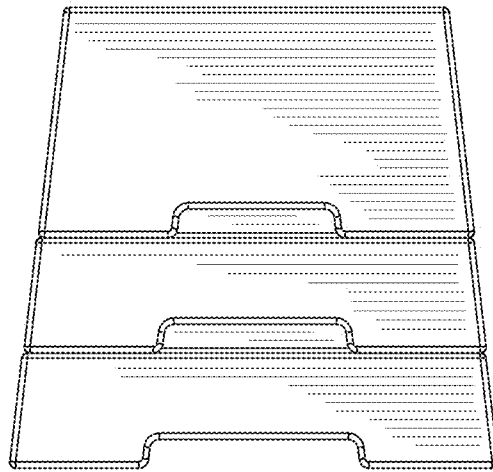


FIG. 3

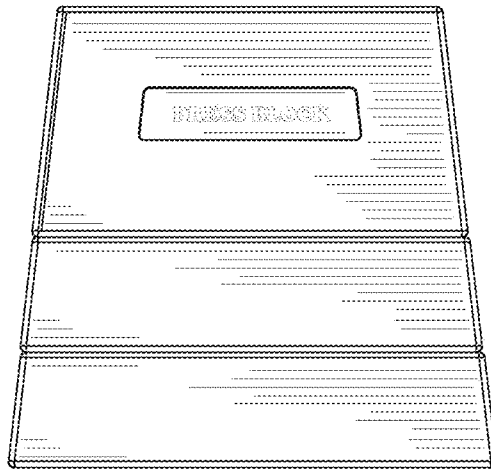


FIG. 4

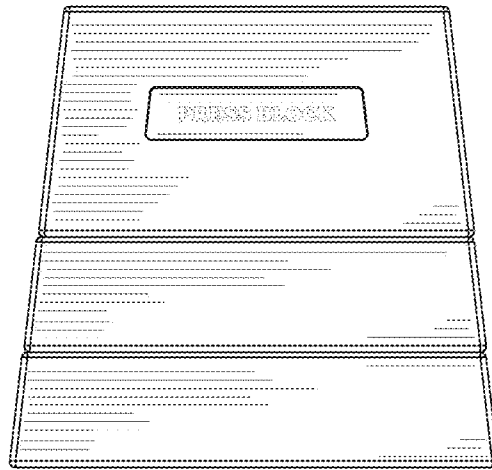


FIG. 5

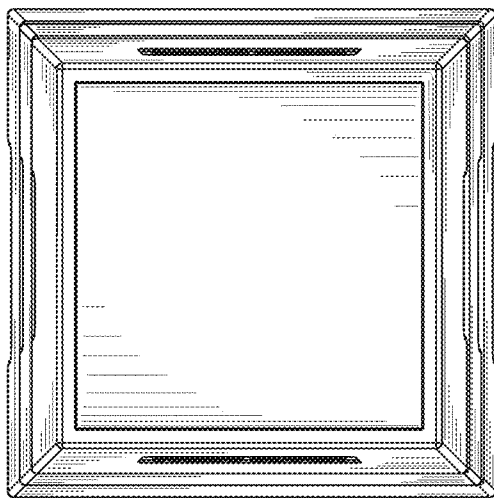


FIG. 6

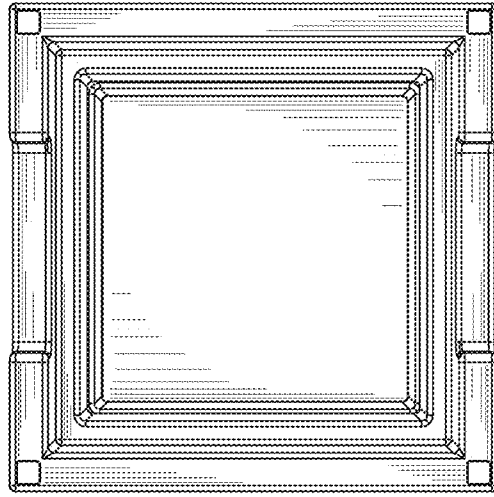


FIG. 7

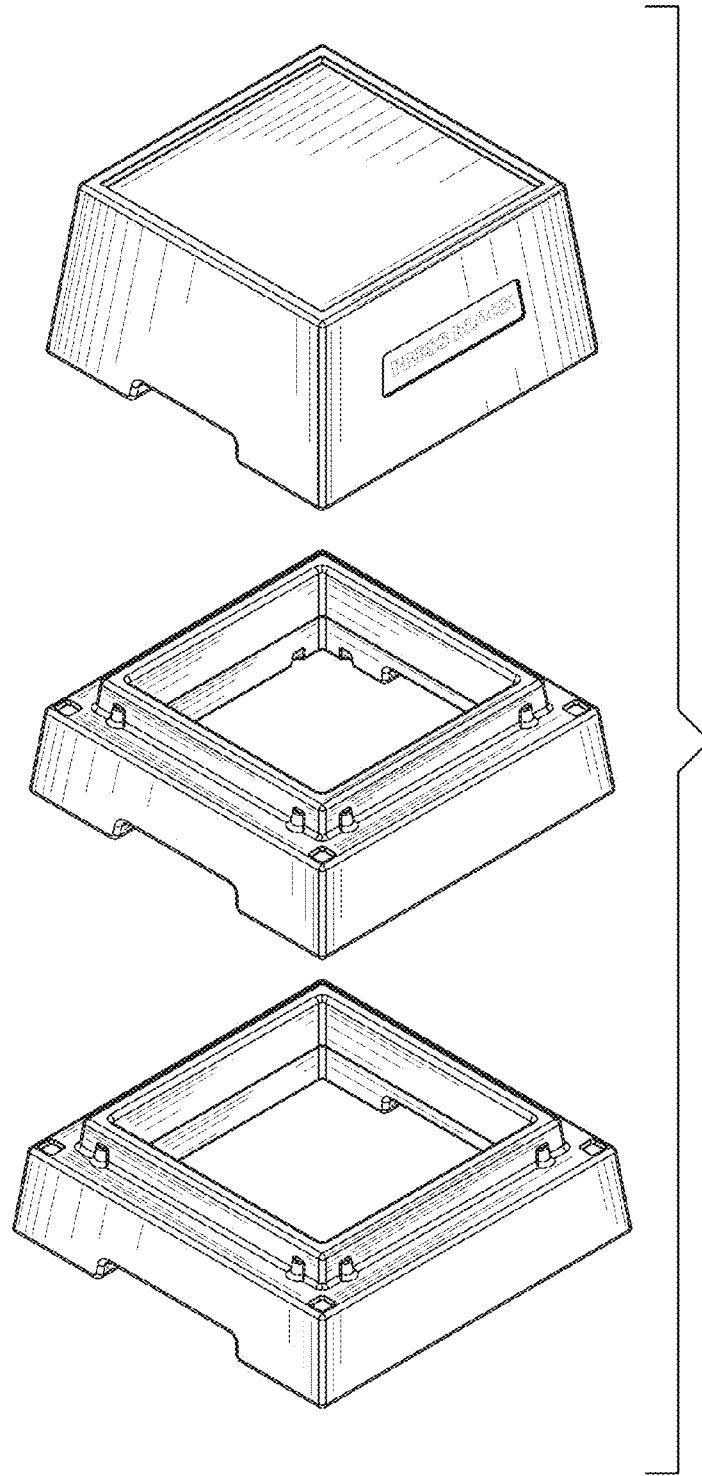


FIG. 8