

(19) World Intellectual Property Organization
International Bureau



(43) International Publication Date
20 November 2008 (20.11.2008)

PCT

(10) International Publication Number
WO 2008/140851 A3

(51) International Patent Classification:
B64C 29/00 (2006.01) *B64C 27/08* (2006.01)

(21) International Application Number:
PCT/US2008/055252

(22) International Filing Date:
28 February 2008 (28.02.2008)

(25) Filing Language: English

(26) Publication Language: English

(30) Priority Data:
60/892,105 28 February 2007 (28.02.2007) US

(71) Applicant and

(72) Inventor: LAWRENCE, John, M. [US/US]; 835 Georgia Avenue, Palm Harbor, FL 34683 (US).

(74) Agent: GILTINAN, William, G.; Carlton Fields, P.A., P.O. Box 3239, Tampa, FL 33601-3239 (US).

(81) Designated States (unless otherwise indicated, for every kind of national protection available): AE, AG, AL, AM, AO, AT, AU, AZ, BA, BB, BG, BH, BR, BW, BY, BZ, CA,

CH, CN, CO, CR, CU, CZ, DE, DK, DM, DO, DZ, EC, EE, EG, ES, FI, GB, GD, GE, GH, GM, GT, HN, HR, HU, ID, IL, IN, IS, JP, KE, KG, KM, KN, KP, KR, KZ, LA, LC, LK, LR, LS, LT, LU, LY, MA, MD, ME, MG, MK, MN, MW, MX, MY, MZ, NA, NG, NI, NO, NZ, OM, PG, PH, PL, PT, RO, RS, RU, SC, SD, SE, SG, SK, SL, SM, SV, SY, TJ, TM, TN, TR, TT, TZ, UA, UG, US, UZ, VC, VN, ZA, ZM, ZW.

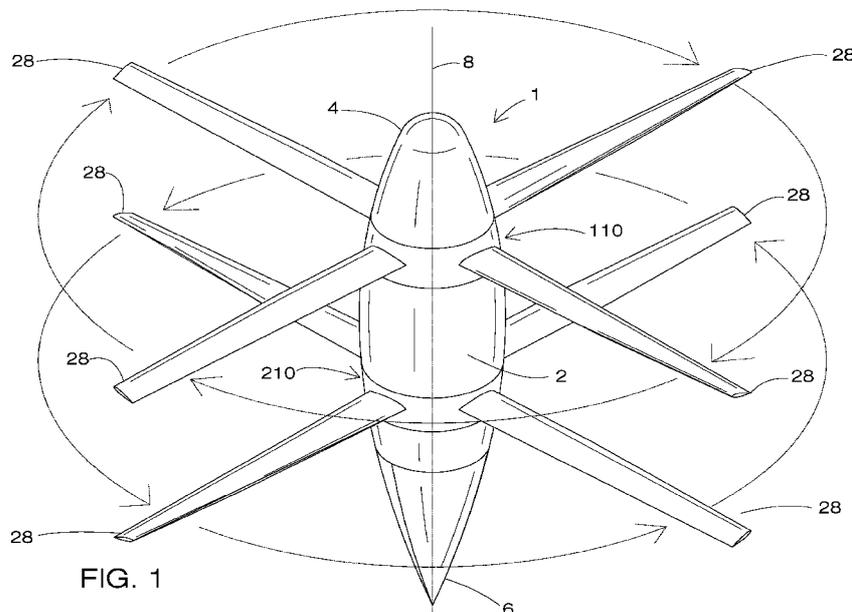
(84) Designated States (unless otherwise indicated, for every kind of regional protection available): ARIPO (BW, GH, GM, KE, LS, MW, MZ, NA, SD, SL, SZ, TZ, UG, ZM, ZW), Eurasian (AM, AZ, BY, KG, KZ, MD, RU, TJ, TM), European (AT, BE, BG, CH, CY, CZ, DE, DK, EE, ES, FI, FR, GB, GR, HR, HU, IE, IS, IT, LT, LU, LV, MC, MT, NL, NO, PL, PT, RO, SE, SI, SK, TR), OAPI (BF, BJ, CF, CG, CI, CM, GA, GN, GQ, GW, ML, MR, NE, SN, TD, TG).

Published:

- with international search report
- before the expiration of the time limit for amending the claims and to be republished in the event of receipt of amendments

(88) Date of publication of the international search report:
26 February 2009

(54) Title: DUAL ROTOR VERTICAL TAKEOFF AND LANDING ROTORCRAFT



(57) Abstract: A rotorcraft having two coaxial, counter-rotating rotors, one proximate to the forward end of the fuselage and one proximate to the aft end of the fuselage, that generate the forces necessary to lift the craft and maneuver it in the air by adjusting the pitch of the rotor blades throughout their rotation, and a method of flying a dual rotor rotorcraft involving taking off in a vertical orientation, climbing vertically, transitioning to generally horizontal flight, flying horizontally, and subsequently repeating the sequence in reverse to land again in a vertical orientation.

WO 2008/140851 A3

INTERNATIONAL SEARCH REPORT

International application No.
PCT/US2008/055252**A. CLASSIFICATION OF SUBJECT MATTER****B64C 29/00(2006.01)i, B64C 27/08(2006.01)i**

According to International Patent Classification (IPC) or to both national classification and IPC

B. FIELDS SEARCHED

Minimum documentation searched (classification system followed by classification symbols)

IPC 8 : B64C 29/00, B64C 27/08

Documentation searched other than minimum documentation to the extent that such documents are included in the fields searched

Korean Utility Models and applications for Utility Models since 1975

Japanese Utility Models and applications for Utility Models since 1975

Electronic data base consulted during the international search (name of data base and, where practicable, search terms used)

eKIPASS(KIPO internal) & Keyword: "rotor", "blade", "dual"

C. DOCUMENTS CONSIDERED TO BE RELEVANT

Category*	Citation of document, with indication, where appropriate, of the relevant passages	Relevant to claim No.
A	US 6347764 B1(FRED J. BRANDON et al.) 19 FEBRUARY 2002 See column 3 line 5 - column 5 line 67; Figures 1-4.	1-8
A	KR 20-0362172 Y1(SUHO BAE) 21 SEPTEMBER 2004 See page 3 line 4 - page 3 line 46; Figures 1, 2 and 4.	1-8
A	US 2006-0231677 A1(NACHMAN ZIMET et al.) 19 OCTOBER 2006 See paragraph 35 - paragraph 74; Figures 1 and 4A.	1-8

 Further documents are listed in the continuation of Box C. See patent family annex.

* Special categories of cited documents:

"A" document defining the general state of the art which is not considered to be of particular relevance

"E" earlier application or patent but published on or after the international filing date

"L" document which may throw doubts on priority claim(s) or which is cited to establish the publication date of citation or other special reason (as specified)

"O" document referring to an oral disclosure, use, exhibition or other means

"P" document published prior to the international filing date but later than the priority date claimed

"T" later document published after the international filing date or priority date and not in conflict with the application but cited to understand the principle or theory underlying the invention

"X" document of particular relevance; the claimed invention cannot be considered novel or cannot be considered to involve an inventive step when the document is taken alone

"Y" document of particular relevance; the claimed invention cannot be considered to involve an inventive step when the document is combined with one or more other such documents, such combination being obvious to a person skilled in the art

"&" document member of the same patent family

Date of the actual completion of the international search

17 DECEMBER 2008 (17.12.2008)

Date of mailing of the international search report

17 DECEMBER 2008 (17.12.2008)

Name and mailing address of the ISA/KR

Korean Intellectual Property Office
Government Complex-Daejeon, 139 Seonsa-ro, Seo-
gu, Daejeon 302-701, Republic of Korea

Facsimile No. 82-42-472-7140

Authorized officer

MYUNG Dae Keun

Telephone No. 82-42-481-8417



INTERNATIONAL SEARCH REPORT

Information on patent family members

International application No.

PCT/US2008/055252

Patent document cited in search report	Publication date	Patent family member(s)	Publication date
US 6347764 B1	19.02.2002	None	None
KR 20-0362172 Y1	21.09.2004	None	None
US 2006-0231677 A1	19.10.2006	AU 2006-201845 A1 CA 2544980 A1 CN 101007218 A CN 2910313 Y EP 1943001 A1 WO 2007-052246 A1	17.05.2007 02.05.2007 01.08.2007 13.06.2007 16.07.2008 10.05.2007