



(51) International Patent Classification:

F41C 33/00 (2006.01) A45C 11/00 (2006.01)
F41C 33/06 (2006.01) A41D 1/04 (2006.01)

(21) International Application Number:

PCT/US20 12/067480

(22) International Filing Date:

30 November 2012 (30.11.2012)

(25) Filing Language:

English

(26) Publication Language:

English

(30) Priority Data:

61/565,73 1 1 December 2011 (01.12.2011) US
Not furnished 30 November 2012 (30.11.2012) US

(72) Inventor; and

(71) Applicant : **PONDER, Tracy** [US/US]; Boonies Outfitters, LLC, 10733 Hwy 321, Dayton, TX 77535 (US).

(74) Agent: **BUCHE, John, K.**; Buche & Associates, P.C., 875 Prospect, Suite 305, La Jolla, CA 92037 (US).

(81) Designated States (unless otherwise indicated, for every kind of national protection available): AE, AG, AL, AM, AO, AT, AU, AZ, BA, BB, BG, BH, BN, BR, BW, BY, BZ, CA, CH, CL, CN, CO, CR, CU, CZ, DE, DK, DM, DO, DZ, EC, EE, EG, ES, FI, GB, GD, GE, GH, GM, GT,

HN, HR, HU, ID, IL, IN, IS, JP, KE, KG, KM, KN, KP, KR, KZ, LA, LC, LK, LR, LS, LT, LU, LY, MA, MD, ME, MG, MK, MN, MW, MX, MY, MZ, NA, NG, NI, NO, NZ, OM, PA, PE, PG, PH, PL, PT, QA, RO, RS, RU, RW, SC, SD, SE, SG, SK, SL, SM, ST, SV, SY, TH, TJ, TM, TN, TR, TT, TZ, UA, UG, US, UZ, VC, VN, ZA, ZM, ZW.

(84) Designated States (unless otherwise indicated, for every kind of regional protection available): ARIPO (BW, GH, GM, KE, LR, LS, MW, MZ, NA, RW, SD, SL, SZ, TZ, UG, ZM, ZW), Eurasian (AM, AZ, BY, KG, KZ, RU, TJ, TM), European (AL, AT, BE, BG, CH, CY, CZ, DE, DK, EE, ES, FI, FR, GB, GR, HR, HU, IE, IS, IT, LT, LU, LV, MC, MK, MT, NL, NO, PL, PT, RO, RS, SE, SI, SK, SM, TR), OAPI (BF, BJ, CF, CG, CI, CM, GA, GN, GQ, GW, ML, MR, NE, SN, TD, TG).

Published:

- with international search report (Art. 21(3))
- before the expiration of the time limit for amending the claims and to be republished in the event of receipt of amendments (Rule 48.2(h))

(88) Date of publication of the international search report:

10 October 2013

(54) Title: HANDS-FREE MULTI-USE LONG GUN CARRY PACK & RELATED METHODS

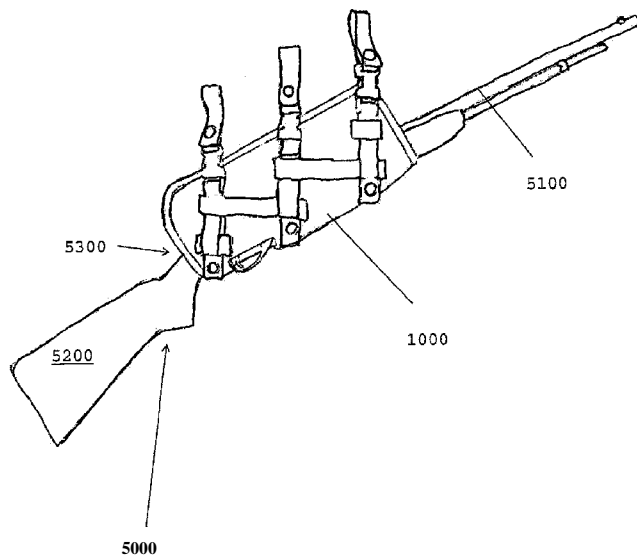


FIG. 3

(57) Abstract: In general, disclosed is a multi-use and gun-protective apparatus for secure and hands-free carrying of a long gun in close proximity (in time, distance, and procedure) to a gunman carrier's gun firing position. Basically, in one embodiment, the apparatus is a reversible, open-ended, and chest-mounted bi-fold pouch configured to fold around at least part of the receiver portions (the portions of the rifle that contains the operating parts, e.g., bolt carrying group, trigger group, or magazine port) of a long gun). In operation, a long gun may be provided to the pouch so that the gun is transversely oriented with respect to torso of the gun carrier whereby the barrel of the long gun extends out of one end of the pouch while the stock of the long gun extends out of the other end of the pouch. When gun firing or deployment is necessary, the gun is located on the chest of carrier so that the barrel or stock of the gun may be gripped while the pouch is concurrently unfolded to result in the carried gun falling from the pouch into the carrier's gun firing position.



A. CLASSIFICATION OF SUBJECT MATTER**F41C 33/00(2006.01)i, F41C 33/06(2006.01)i, A45C 11/00(2006.01)i, A41D 1/04(2006.01)i**

According to International Patent Classification (IPC) or to both national classification and IPC

B. FIELDS SEARCHED

Minimum documentation searched (classification system followed by classification symbols)

F41C 33/00; A45F 4/00; F41H 1/02; A45F 5/00; A45C 1/04; F41C 33/02; F41C 33/06; A45C 11/00; A41D 1/04

Documentation searched other than minimum documentation to the extent that such documents are included in the fields searched

Korean utility models and applications for utility models

Japanese utility models and applications for utility models

Electronic data base consulted during the international search (name of data base and, where practicable, search terms used)

eKOMPASS(KIPO internal) & keywords: gun, rifle, carry, deployment, fold, pouch, fasten, aperture, snap loop, and secure

C. DOCUMENTS CONSIDERED TO BE RELEVANT

Category [*]	Citation of document, with indication, where appropriate, of the relevant passages	Relevant to claim No.
X	US 5829653 A (KAISER, JAMES M.) 03 November 1998 See abstract, column 3, lines 9-66, claims 1,11, and figures 1-4.	1,3,8,11,14,16-18 ,20
Y		2,4-7,9-10,12-13 ,15,19
Y	EP 2287555 A2 (HELITRANS AB.) 23 February 2011 See abstract, paragraphs [0021],[0025], claims 1,6-7, and figures 1-6.	2,4-7,9-10,12-13 ,15,19
A	US 5431318 A (GARCIA, RANDY A.) 11 July 1995 See abstract, column 3, lines 42-64, claim 1, and figure 2.	1-20
A	US 5170919 A (DESANTIS et al.) 15 December 1992 See abstract, column 3, lines 44-57, and figure 2.	1-20
A	US 5642847 A (DEMEO et al.) 01 July 1997 See abstract, column 5, lines 34-46, and figures 3-4.	1-20

II Further documents are listed in the continuation of Box C. See patent family annex.^{*} Special categories of cited documents:

"A" document defining the general state of the art which is not considered to be of particular relevance

"E" earlier application or patent but published on or after the international filing date

"L" document which may throw doubts on priority claim(s) or which is cited to establish the publication date of citation or other special reason (as specified)

"O" document referring to an oral disclosure, use, exhibition or other means

"P" document published prior to the international filing date but later than the priority date claimed

"T" later document published after the international filing date or priority date and not in conflict with the application but cited to understand the principle or theory underlying the invention

"X" document of particular relevance; the claimed invention cannot be considered novel or cannot be considered to involve an inventive step when the document is taken alone

"Y" document of particular relevance; the claimed invention cannot be considered to involve an inventive step when the document is combined with one or more other such documents, such combination being obvious to a person skilled in the art

"&" document member of the same patent family


Date of the actual completion of the international search

13 August 2013 (13.08.2013)

Date of mailing of the international search report

14 August 2013 (14.08.2013)

Name and mailing address of the ISA/KR



Korean Intellectual Property Office
189 Cheongsa-ro, Seo-gu, Daejeon Metropolitan City,
302-70 1, Republic of Korea
Facsimile No. +82-42-472-7140

Authorized officer

KIM Jin Ho
Telephone No. +82-42-481-8699



INTERNATIONAL SEARCH REPORT

Information on patent family members

International application No.

PCT/US2012/067480

Patent document cited in search report	Publication date	Patent family member(s)	Publication date
US 5829653 A	03/11/1998	None	
EP 2287555 A2	23/02/2011	CA 2713680 AI SE 0901093 AI SE 534103 C2 US 2011-0042427 AI	19/02/2011 20/02/2011 26/04/2011 24/02/2011
US 5431318 A	11/07/1995	None	
US 5170919 A	15/12/1992	US 4966320 A	30/10/1990
US 5642847 A	01/07/1997	EP 1007895 AI Wo 98-00046 AI	14/06/2000 08/01/1998