



US00D764699S

(12) **United States Design Patent**
Compton

(10) **Patent No.:** **US D764,699 S**

(45) **Date of Patent:** **** Aug. 23, 2016**

(54) **LIGHTING FIXTURE**

(71) Applicant: **U.S. POLE COMPANY, INC.**,
Palmdale, CA (US)

(72) Inventor: **Wayne Compton**, Prescott, AZ (US)

(73) Assignee: **U.S. Pole Company, Inc.**, Palmdale,
CA (US)

(**) Term: **14 Years**

(21) Appl. No.: **29/526,455**

(22) Filed: **May 8, 2015**

(51) **LOC (10) Cl.** **26-03**

(52) **U.S. Cl.**
USPC **D26/85**

(58) **Field of Classification Search**
USPC D26/72, 85, 86, 89, 118, 120
CPC F21S 8/03; F21S 8/033; F21S 8/024;
F21V 7/041; F21V 7/043; F21V 7/045;
F21V 7/05; F21V 7/06; F21V 7/07; F21V
7/08; F21V 7/09

See application file for complete search history.

(56) **References Cited**

U.S. PATENT DOCUMENTS

D315,416 S * 3/1991 Ziaylek, Jr. D26/28
D380,853 S * 7/1997 Johnson D26/128

D454,971 S * 3/2002 Crosby D26/85
D503,822 S * 4/2005 Monroe D26/85
D553,783 S * 10/2007 Loftus D26/67
D688,406 S * 8/2013 Goldy D26/85
D691,318 S * 10/2013 Wilcox D26/85
D691,319 S * 10/2013 Guercio D26/85
D715,477 S * 10/2014 Yu D26/85
D746,503 S * 12/2015 Skira D26/85
D747,531 S * 1/2016 Skira D26/85

* cited by examiner

Primary Examiner — Clare E Heflin

(74) *Attorney, Agent, or Firm* — Lewis Roca Rothgerber
Christie LLP

(57) **CLAIM**

The ornamental design for a lighting fixture, as shown and
described.

DESCRIPTION

FIG. 1 is a perspective view of the new design;
FIG. 2 is a front view of the design of FIG. 1;
FIG. 3 is a side view of the design of FIG. 1;
FIG. 4 is a rear view of the design of FIG. 1;
FIG. 5 is a top view of the design of FIG. 1; and,
FIG. 6 is a bottom view of the design of FIG. 1.
The broken lines shown on the drawings depict portions of
the lighting fixture that form no part of the claimed design.

1 Claim, 6 Drawing Sheets

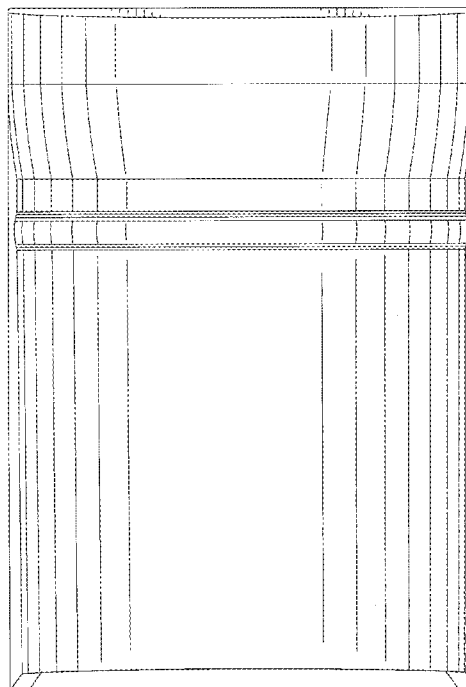
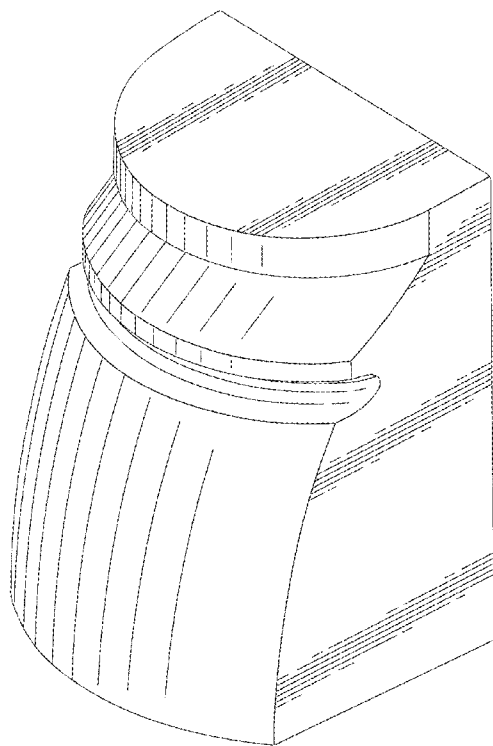


FIG. 1

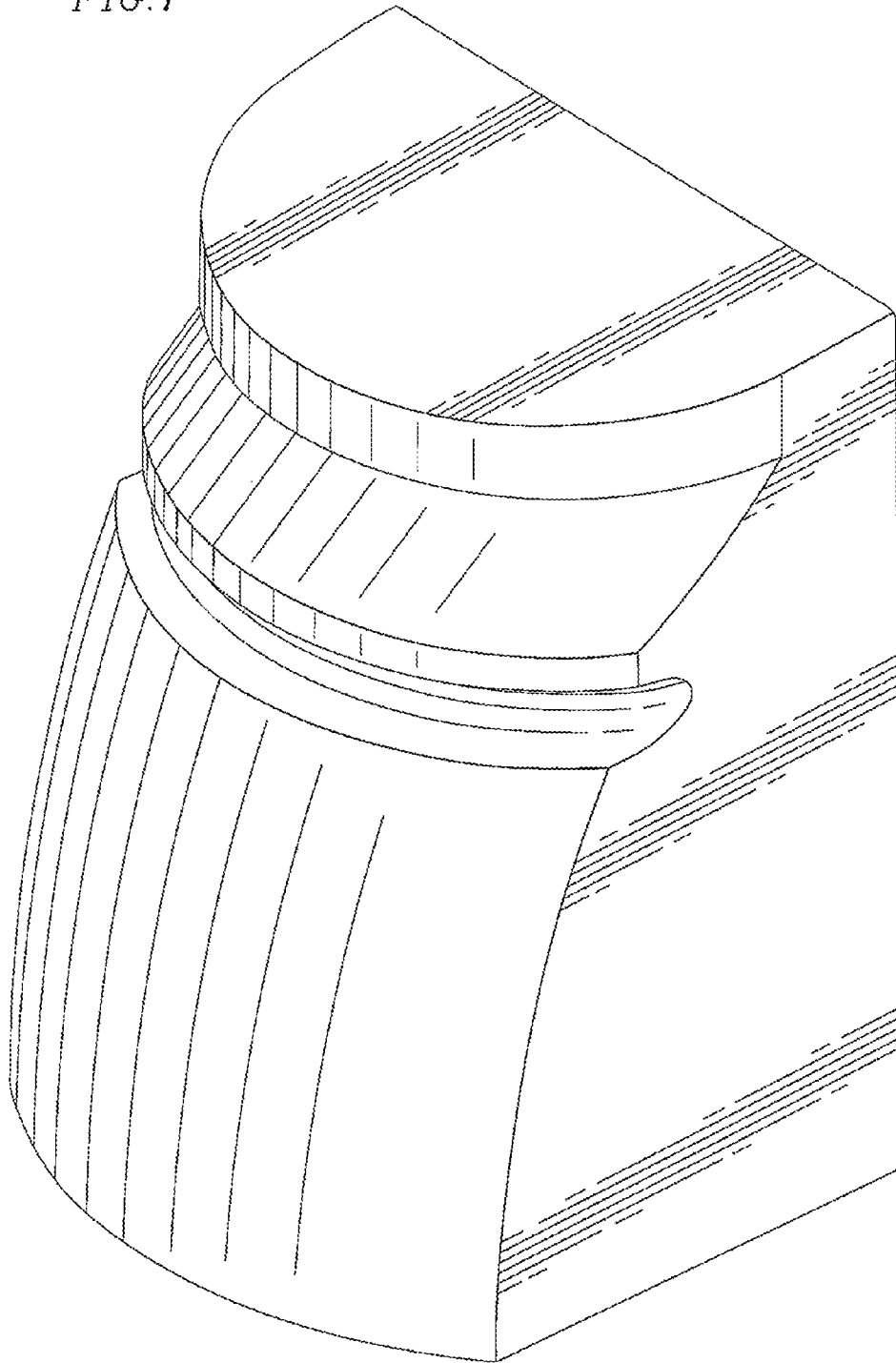


FIG. 2

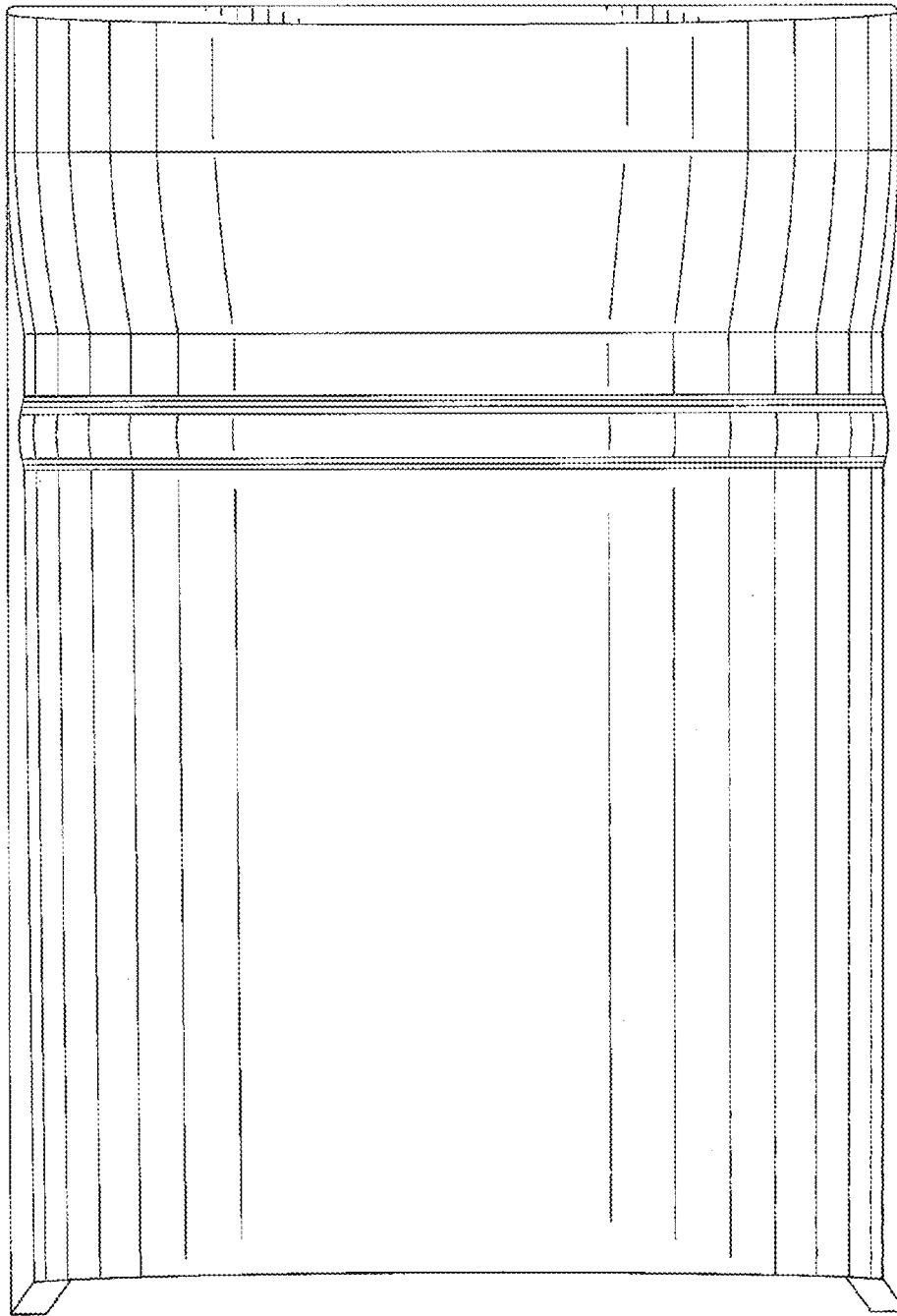


FIG. 3

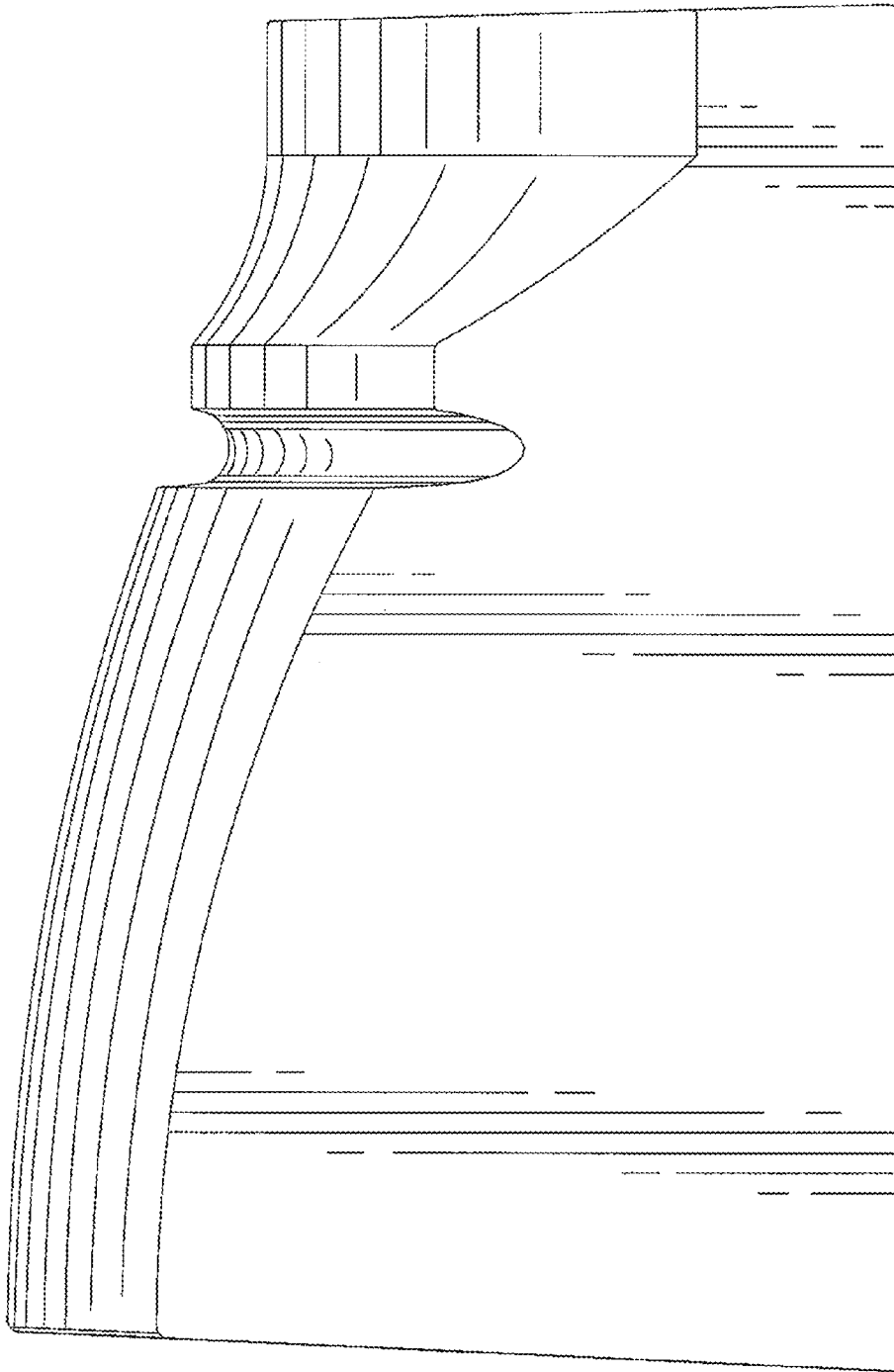


FIG. 4

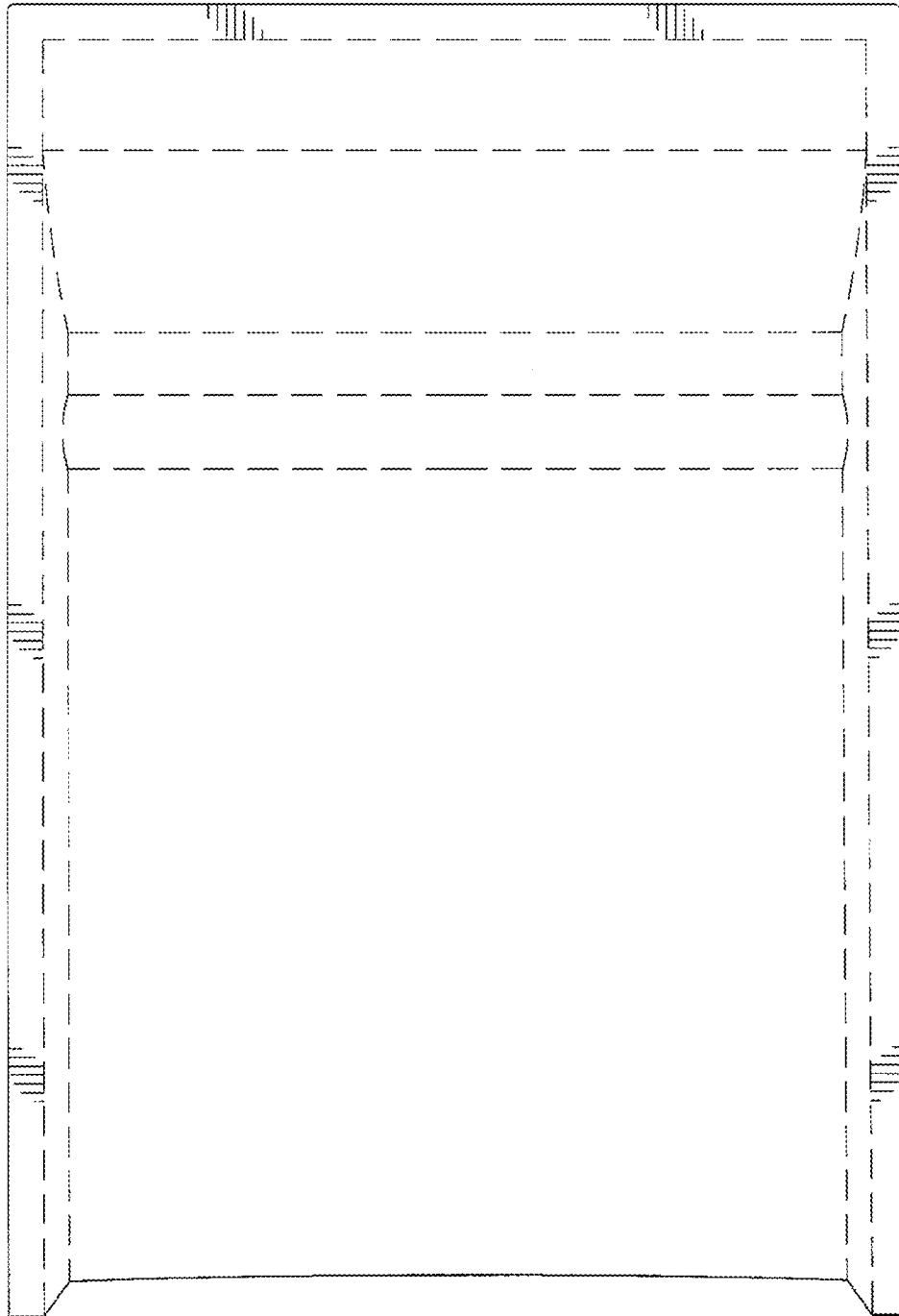


FIG. 5

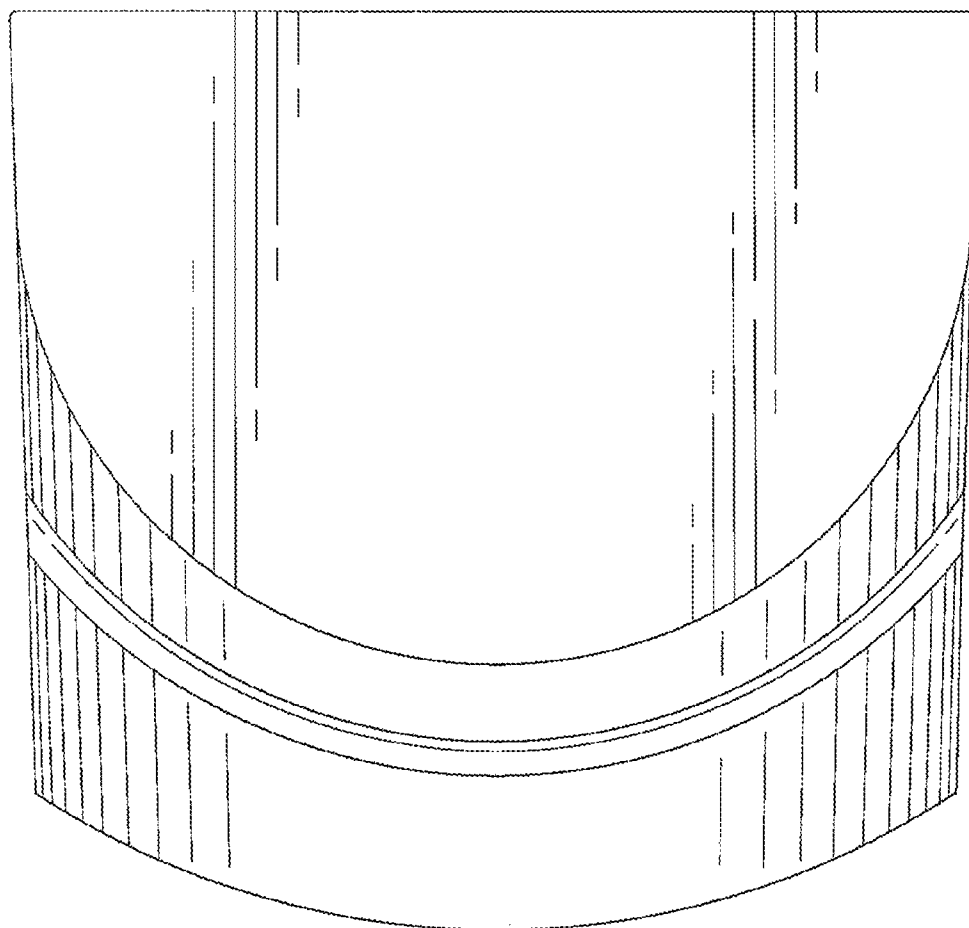


FIG. 6

