



US00D729029S

(12) **United States Design Patent**  
**Garcia**

(10) **Patent No.:** **US D729,029 S**

(45) **Date of Patent:** **\*\* May 12, 2015**

- (54) **ROOFING HAMMER SET**
- (71) Applicant: **Arturo C. Garcia**, Fontana, CA (US)
- (72) Inventor: **Arturo C. Garcia**, Fontana, CA (US)
- (\*\*) Term: **14 Years**
- (21) Appl. No.: **29/444,320**
- (22) Filed: **Jan. 29, 2013**
- (51) **LOC (10) Cl.** ..... **08-02**
- (52) **U.S. Cl.**  
USPC ..... **D8/75**
- (58) **Field of Classification Search**  
CPC ..... B25C 11/00; B25D 1/04; B25D 1/06;  
B25F 1/00; B26B 23/00; B27M 1/00  
USPC ..... D8/11, 12, 14, 47, 75-81, 105;  
D22/117-118; 7/143-147;  
30/308-308.2; 81/19-24; 254/26 R  
See application file for complete search history.

7,062,809 B2 \* 6/2006 Sheffield ..... 7/145  
 D601,397 S \* 10/2009 Johnsen ..... D8/75  
 D648,201 S 11/2011 Cortez-Sanchez

\* cited by examiner

*Primary Examiner* — Philip S Hyder  
*Assistant Examiner* — Roselynn Cody  
 (74) *Attorney, Agent, or Firm* — Kirk A. Buhler; Buhler & Associates

(57) **CLAIM**  
 The ornamental design for a roofing hammer set, as shown and described.

**DESCRIPTION**

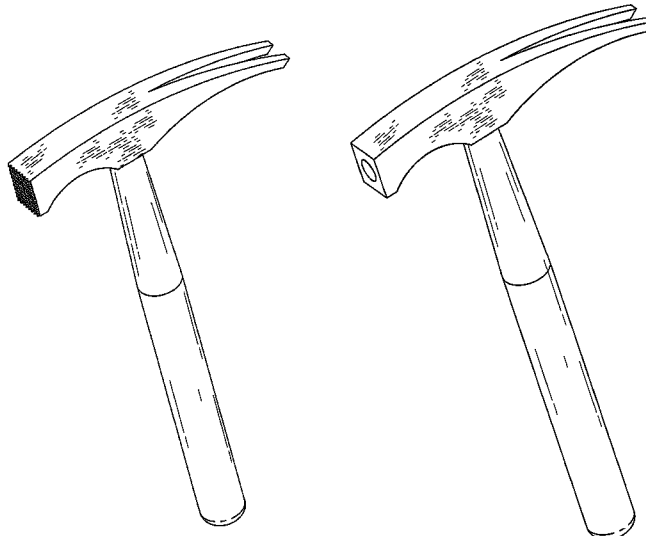
FIG. 1 is a top, front, right side perspective view showing the knurled striking end of a first hammer constituting one part of my new design for a roofing hammer set;  
 FIG. 2 is a front view thereof;  
 FIG. 3 is a right view thereof, the left side view being a mirror image;  
 FIG. 4 is a rear view thereof;  
 FIG. 5 is a bottom view thereof;  
 FIG. 6 is a top view thereof;  
 FIG. 7 is a bottom, rear, left side perspective view thereof;  
 FIG. 8 is a top, front, right side perspective view showing the magnetic striking end of a second hammer constituting the second part of my new design for a roofing hammer set;  
 FIG. 9 is a front view thereof;  
 FIG. 10 is a right view thereof, the left side view being a mirror image;  
 FIG. 11 is a rear view thereof;  
 FIG. 12 is a bottom view thereof;  
 FIG. 13 is a top view thereof; and,  
 FIG. 14 is a bottom, rear, left side perspective view thereof.  
 The roofing hammer set of the present invention is composed of two hammers having differences only in their striking ends.

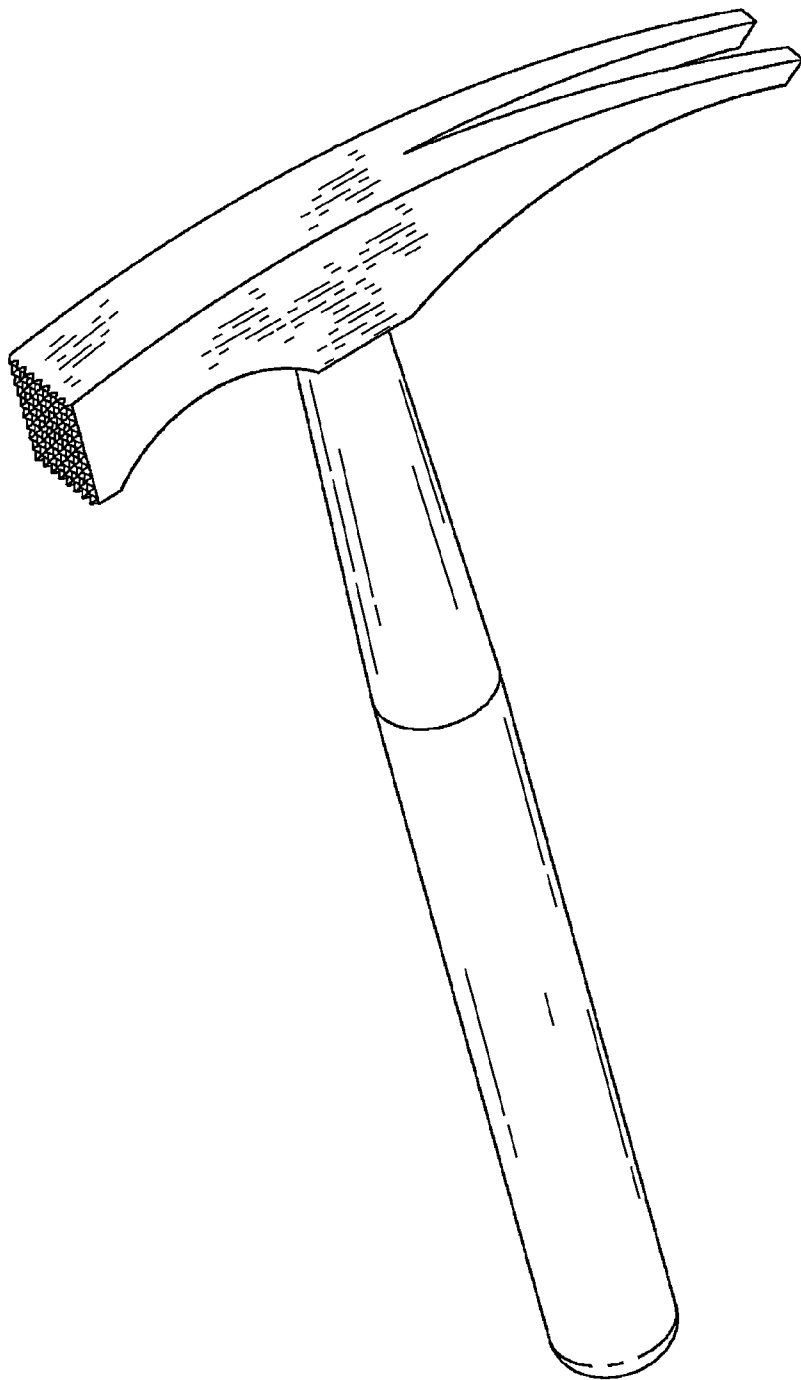
(56) **References Cited**

U.S. PATENT DOCUMENTS

440,962	A *	11/1890	Pettingell	.....	30/308.1
459,643	A *	9/1891	Montgomery	.....	7/146
584,528	A *	6/1897	Stallings	.....	7/145
930,545	A *	8/1909	Herritt	.....	254/26 R
2,960,133	A *	11/1960	Shepherd, Jr.	.....	81/22
D203,134	S *	12/1965	Lowe, III	.....	D8/81
3,233,643	A *	2/1966	Reuterfors	.....	7/158
D267,469	S	1/1983	Crowder		
D275,261	S	8/1984	Crowder		
5,002,257	A *	3/1991	Evans	.....	254/26 R
D318,998	S *	8/1991	Osborne	.....	D8/81
D375,033	S	10/1996	Edwards		
D402,175	S	12/1998	Sellers		
6,196,088	B1 *	3/2001	Youngren	.....	81/26
6,266,834	B1 *	7/2001	Walsh et al.	.....	7/144
D446,102	S *	8/2001	Chen	.....	D8/78
D478,265	S *	8/2003	Chen	.....	D8/78
D518,684	S	4/2006	Kushner		
D522,340	S *	6/2006	Hung	.....	D8/78

**1 Claim, 6 Drawing Sheets**

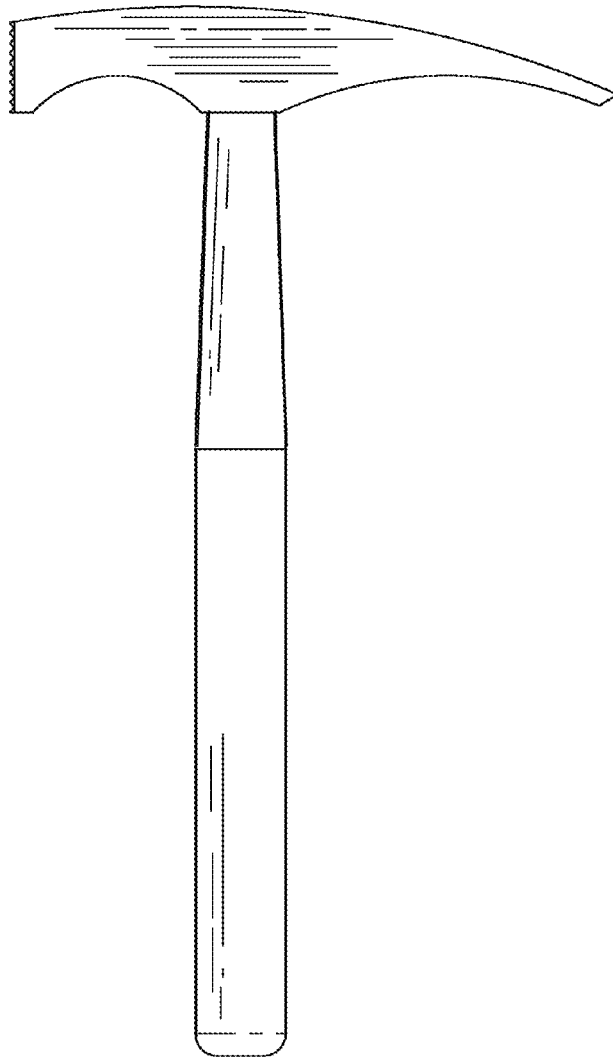




**FIG 1**



**FIG 2**



**FIG 3**



**FIG 4**

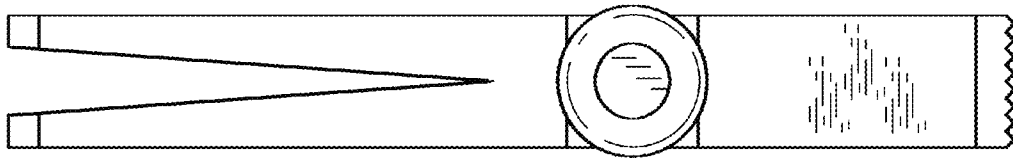


FIG 5

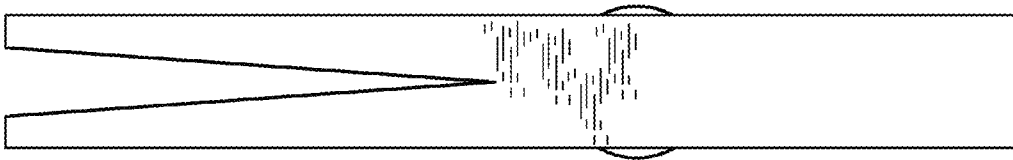


FIG 6

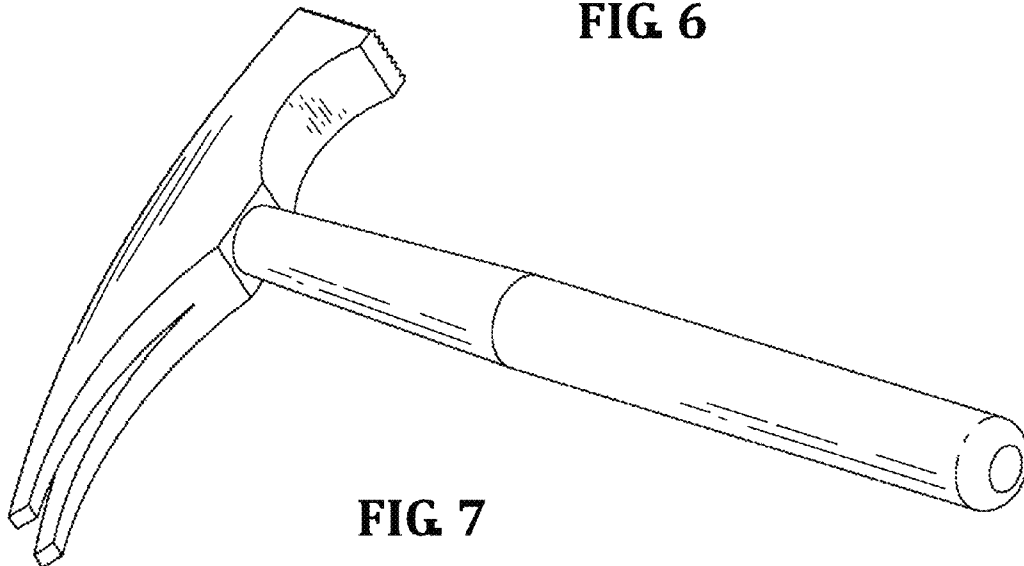
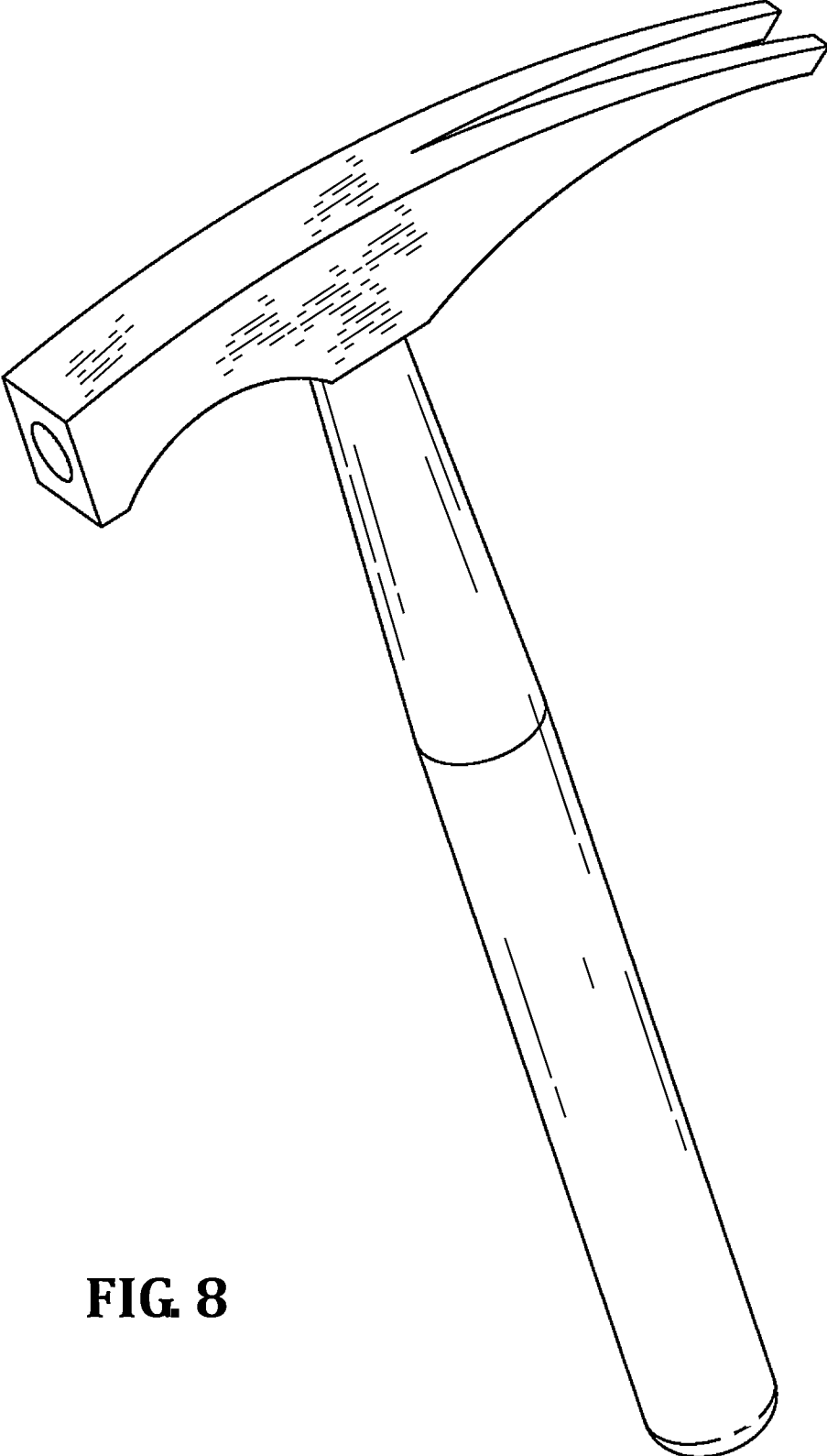


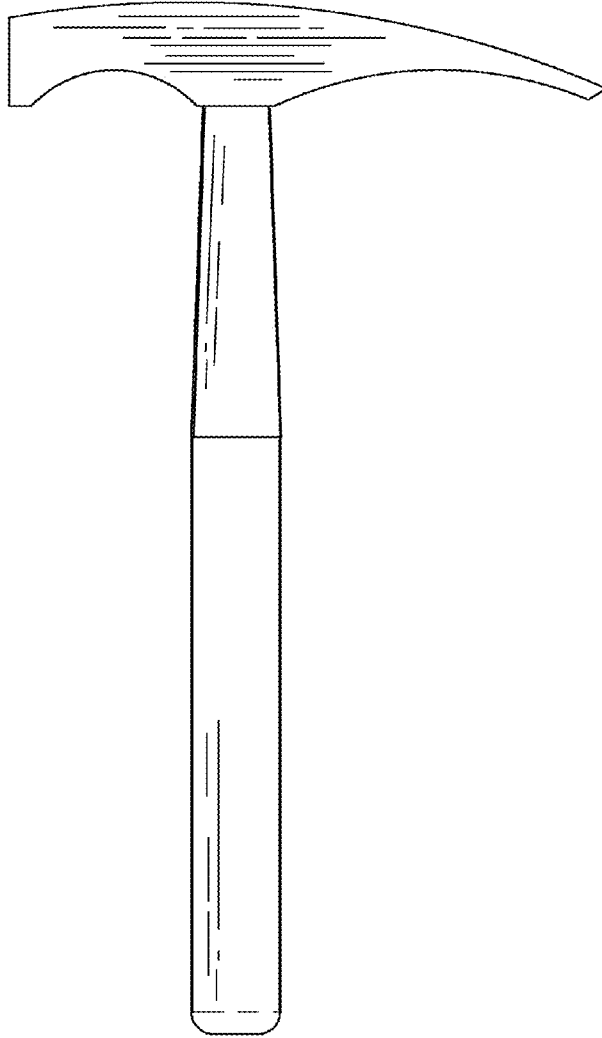
FIG 7



**FIG. 8**



**FIG 9**



**FIG 10**



**FIG 11**

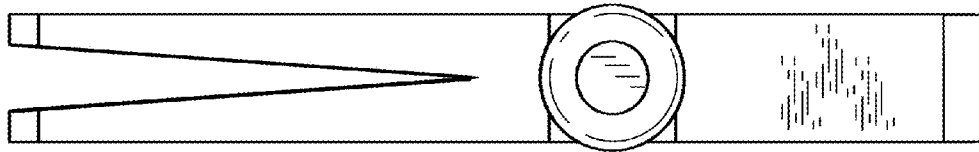


FIG 12

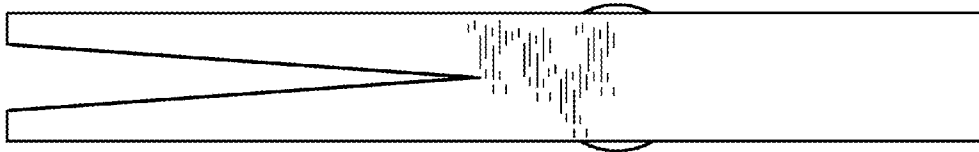


FIG 13

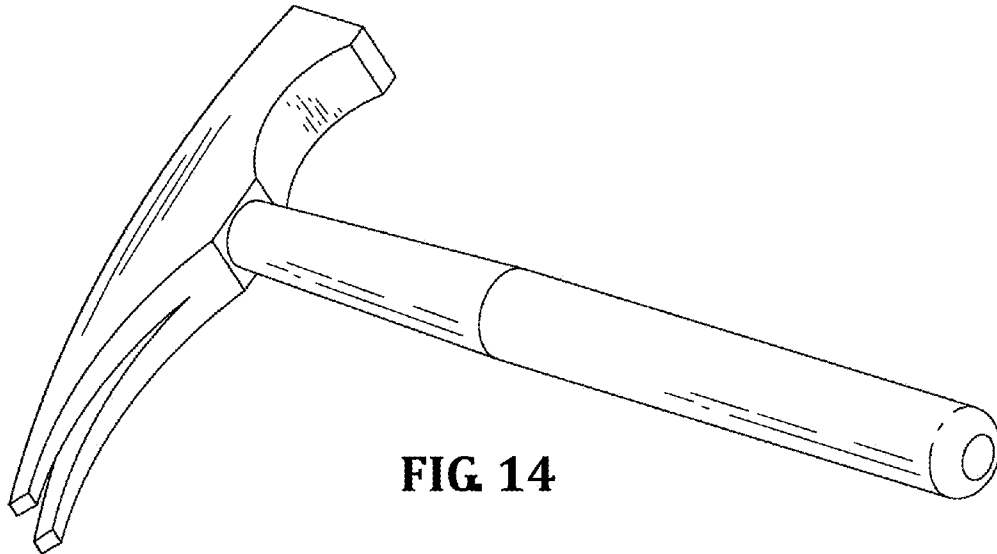


FIG 14