



- (51) International Patent Classification:
E21B 34/08 (2006.01) E21B 34/12 (2006.01)
E21B 43/20 (2006.01)
- (21) International Application Number:
PCT/US2012/038881
- (22) International Filing Date:
21 May 2012 (21.05.2012)
- (25) Filing Language: English
- (26) Publication Language: English
- (30) Priority Data:
61/490,979 27 May 2011 (27.05.2011) US
- (71) Applicant (for all designated States except US): HAL-LIBURTON ENERGY SERVICES, INC. [US/US]; P.O. Box 819052, Dallas, Texas 75381-9052 (US).
- (72) Inventors; and
- (75) Inventors/Applicants (for US only): GIUSTI, JR., Frank [US/US]; 9213 Massey Rd., Pilot Point, Texas 76258 (US). VICK, JR., James D. [US/US]; 3305 Rankin St., Dallas, Texas 75205 (US). COLLINS, Leo G. [US/US]; 13208 Cedar Lane, Farmers Branch, Texas 75234 (US). SWAN, Tom W. [US/US]; 5908 Wessex Ct., Parker, Texas 75002 (US). STEPHENSON, Gary L. [US/US]; 4212 Arbor Lane, Carrollton, Texas 75010 (US).

- (74) Agents: Conley Rose, P.C. et al.; 5601 Granite Parkway, Suite 750, Plano, Texas 75024 (US).
- (81) Designated States (unless otherwise indicated, for every kind of national protection available): AE, AG, AL, AM, AO, AT, AU, AZ, BA, BB, BG, BH, BR, BW, BY, BZ, CA, CH, CL, CN, CO, CR, CU, CZ, DE, DK, DM, DO, DZ, EC, EE, EG, ES, FI, GB, GD, GE, GH, GM, GT, HN, HR, HU, ID, IL, IN, IS, JP, KE, KG, KM, KN, KP, KR, KZ, LA, LC, LK, LR, LS, LT, LU, LY, MA, MD, ME, MG, MK, MN, MW, MX, MY, MZ, NA, NG, NI, NO, NZ, OM, PE, PG, PH, PL, PT, QA, RO, RS, RU, RW, SC, SD, SE, SG, SK, SL, SM, ST, SV, SY, TH, TJ, TM, TN, TR, TT, TZ, UA, UG, US, UZ, VC, VN, ZA, ZM, ZW.
- (84) Designated States (unless otherwise indicated, for every kind of regional protection available): ARIPO (BW, GH, GM, KE, LR, LS, MW, MZ, NA, RW, SD, SL, SZ, TZ, UG, ZM, ZW), Eurasian (AM, AZ, BY, KG, KZ, RU, TJ, TM), European (AL, AT, BE, BG, CH, CY, CZ, DE, DK, EE, ES, FI, FR, GB, GR, HR, HU, IE, IS, IT, LT, LU, LV, MC, MK, MT, NL, NO, PL, PT, RO, RS, SE, SI, SK, SM, TR), OAPI (BF, BJ, CF, CG, CI, CM, GA, GN, GQ, GW, ML, MR, NE, SN, TD, TG).

Declarations under Rule 4.17:

- as to applicant's entitlement to apply for and be granted a patent (Rule 4.17(ii))

[Continued on next page]

(54) Title: SAFETY VALVE SYSTEM FOR CABLE DEPLOYED ELECTRIC SUBMERSIBLE PUMP

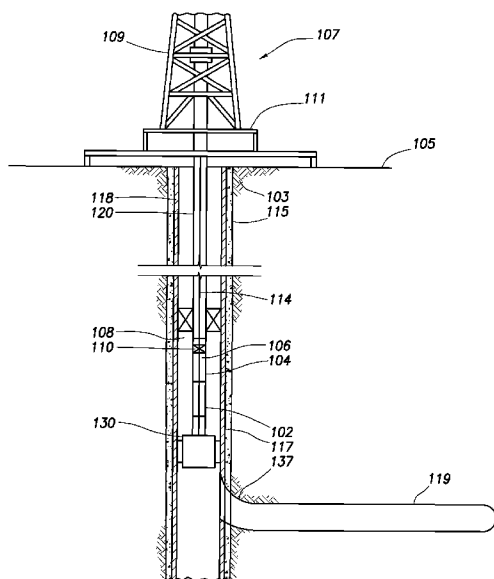


FIG. 1

(57) Abstract: A safety valve system for downhole use in a wellbore comprises a safety valve comprising a sealable flow path; an annulus safety valve configured to provide fluid communication between a central flow path and an annular flow path; a landing nipple, wherein the landing nipple comprises ports configured to provide fluid communication between the annular flow path and the central flow path; and a cable passing through the sealable flow path, wherein the cable comprises a sealing mechanism and latch mechanism configured to engage the landing nipple.





— *as to the applicant's entitlement to claim the priority of the earlier application (Rule 4.17(iii))* — *before the expiration of the time limit for amending the claims and to be republished in the event of receipt of amendments (Rule 48.2(h))*

Published:

— *with international search report (Art. 21(3))*

(88) Date of publication of the international search report:
28 February 2013

INTERNATIONAL SEARCH REPORT

International application No.
PCT/US2012/038881**A. CLASSIFICATION OF SUBJECT MATTER***E21B 34/08(2006.01)i, E21B 43/20(2006.01)i, E21B 34/12(2006.01)i*

According to International Patent Classification (IPC) or to both national classification and IPC

B. FIELDS SEARCHED

Minimum documentation searched (classification system followed by classification symbols)

E21B 34/08; E21B 43/12; E21B 43/34; E21B 47/12; E21B 19/00; E21B 23/00

Documentation searched other than minimum documentation to the extent that such documents are included in the fields searched

Korean utility models and applications for utility models
Japanese utility models and applications for utility models

Electronic data base consulted during the international search (name of data base and, where practicable, search terms used)

eKOMPASS(KIPO internal) & Keywords: "wellbore", "work string", "safety valve", "electrical connection", "jumper", "electric submersible pump" and "landing nipple"

C. DOCUMENTS CONSIDERED TO BE RELEVANT

Category*	Citation of document, with indication, where appropriate, of the relevant passages	Relevant to claim No.
A	US 7195072 B2 (MACKAY, GRAHAM et al.) 27 March 2007 See column 5, line 9 - column 6, line 10 and figures 1A-1C, 4A-5.	1-3, 9-11, 15-17
A	US 6533039 B2 (RIVAS, OLBGARIO S. et al.) 18 March 2003 See column 4, line 65 - column 5, line 22 and figure 1.	1-3, 9-11, 15-17
A	US 05348492 A (SONNET, ALAIN) 20 September 1994 See column 3, line 57 - column 4, line 53 and figures 3, 4.	1-3, 9-11, 15-17
A	US 6196325 B1 (CONNELL, MICHAEL L. et al.) 06 March 2001 See column 4, line 6 - column 5, line 3 and figures 1A, 1B.	1-3, 9-11, 15-17

 Further documents are listed in the continuation of Box C. See patent family annex.

* Special categories of cited documents:

"A" document defining the general state of the art which is not considered to be of particular relevance

"E" earlier application or patent but published on or after the international filing date

"L" document which may throw doubts on priority claim(s) or which is cited to establish the publication date of citation or other special reason (as specified)

"O" document referring to an oral disclosure, use, exhibition or other means

"P" document published prior to the international filing date but later than the priority date claimed

"T" later document published after the international filing date or priority date and not in conflict with the application but cited to understand the principle or theory underlying the invention

"X" document of particular relevance; the claimed invention cannot be considered novel or cannot be considered to involve an inventive step when the document is taken alone

"Y" document of particular relevance; the claimed invention cannot be considered to involve an inventive step when the document is combined with one or more other such documents, such combination being obvious to a person skilled in the art

"&" document member of the same patent family

Date of the actual completion of the international search

28 DECEMBER 2012 (28.12.2012)

Date of mailing of the international search report

02 JANUARY 2013 (02.01.2013)

Name and mailing address of the ISA/KR

Korean Intellectual Property Office
189 Cheongsu-ro, Seo-gu, Daejeon Metropolitan
City, 302-701, Republic of Korea

Facsimile No. 82-42-472-7140

Authorized officer

Jeong A Ram

Telephone No. 82-42-481-3388



INTERNATIONAL SEARCH REPORT

Information on patent family members

International application No.

PCT/US2012/038881

Patent document cited in search report	Publication date	Patent family member(s)	Publication date
US 7195072 B2	27.03.2007	CA 2484623 A1	14.04.2005
		CA 2484623 C	02.06.2009
		GB 0422688 D0	10.11.2004
		GB 2407110 A	20.04.2005
		GB 2407110 B	22.08.2007
		US 2005-0077050 A1	14.04.2005
US 6533039 B2	18.03.2003	US 2002-121376 A1	05.09.2002
US 05348492 A	20.09.1994	GB 2264964 A	15.09.1993
		US 05348492 A	20.09.1994
US 6196325 B1	06.03.2001	CA 2291562 A1	04.06.2000
		DE 69922774 D1	27.01.2005
		DE 69922774 T2	08.12.2005
		EP 1020616 A2	19.07.2000
		EP 1020616 A3	18.12.2002
		EP 1020616 B1	22.12.2004
		NO 317579 B1	15.11.2004
		NO 995952 A	05.06.2000
NO 995952 D0	03.12.1999		