



US00D475985S

(12) **United States Design Patent**  
**Huang et al.**

(10) **Patent No.:** **US D475,985 S**

(45) **Date of Patent:** **\*\* Jun. 17, 2003**

(54) **VIDEO PHONE**

(75) **Inventors:** **Ennin Huang**, Arcadia, CA (US); **Fred Chan**, Los Altos Hills, CA (US); **Didier Pietri**, Fremont, CA (US); **Edward Chan**, Fremont, CA (US)

(73) **Assignee:** **Vialta, Inc.**, Fremont, CA (US)

(\*\*) **Term:** **14 Years**

(21) **Appl. No.:** **29/167,360**

(22) **Filed:** **Sep. 11, 2002**

(51) **LOC (7) Cl.** ..... **14-03**

(52) **U.S. Cl.** ..... **D14/130; D14/129**

(58) **Field of Search** ..... D14/329, 330, D14/447, 374-376, 148, 147, 126, 149-151, 136, 331, 140-142, 146, 307, 240, 241, 129, 211, 214, 130, 144, 317, 336-337; 379/420.01, 420.02, 420.03, 419, 420.04, 428.02, 428.01, 428.04, 428.03, 454, 440, 90.01, 93.17, 93.19, 93.22, 433-436, 900, 441; 348/14.01-14.16; D20/10, 1, 4; D99/28; D25/4, 16; D6/310, 314, 421; 52/27.5; 40/748, 737; D10/15, 1, 2

(56) **References Cited**

**U.S. PATENT DOCUMENTS**

1,778,636 A	*	10/1930	Herbert	.....	40/748
D213,108 S	*	1/1969	Dreyfuss et al.	.....	D14/130
D237,801 S	*	11/1975	Genaro et al.	.....	D14/130
D274,703 S	*	7/1984	Vogel	.....	D10/15
D306,582 S	*	3/1990	Miyahara et al.	.....	D14/126
D309,304 S	*	7/1990	Takada et al.	.....	D14/144
D341,586 S	*	11/1993	Alvarez-Ryan et al.	....	D14/130
D346,965 S	*	5/1994	Wolff	.....	D10/1
D366,975 S	*	2/1996	Kaga	.....	D6/470
5,586,401 A	*	12/1996	Sheehan et al.	.....	40/737
D377,340 S	*	1/1997	Brenner et al.	.....	D14/331

D381,651 S	*	7/1997	Banik et al.	.....	D14/129
D388,077 S	*	12/1997	Starck	.....	D14/126
D391,565 S	*	3/1998	Nanjo	.....	D14/130
D404,025 S	*	1/1999	Horne et al.	.....	D14/331
D408,375 S	*	4/1999	Oba	.....	D14/329
5,953,048 A	*	9/1999	Mikami et al.	.....	348/14.01
D415,148 S	*	10/1999	Ma et al.	.....	
D418,984 S	*	1/2000	Koconis	.....	D6/314
D423,796 S	*	5/2000	Kwan	.....	D6/314
D424,049 S	*	5/2000	Ho et al.	.....	D14/130
D425,875 S	*	5/2000	Wilson	.....	D14/307
D435,525 S	*	12/2000	Eddington et al.	.....	D14/130
D436,630 S	*	1/2001	Gonsiorowski et al.	.....	D20/10
D436,937 S	*	1/2001	Eddington et al.	.....	D14/130
D438,182 S	*	2/2001	Wilson	.....	D14/130
D438,569 S	*	3/2001	Hofmann	.....	D20/10
D449,601 S	*	10/2001	Baldwin et al.	.....	D14/336
D450,311 S	*	11/2001	Sawhney et al.	.....	D14/214
D461,184 S	*	8/2002	Chen	.....	D14/336
D464,050 S	*	10/2002	Mori	.....	D14/375
D467,897 S	*	12/2002	Lin	.....	D14/211

\* cited by examiner

*Primary Examiner*—Jeffrey Asch

(74) *Attorney, Agent, or Firm*—Milbank, Tweed, Hadley & McCloy LLP

(57)

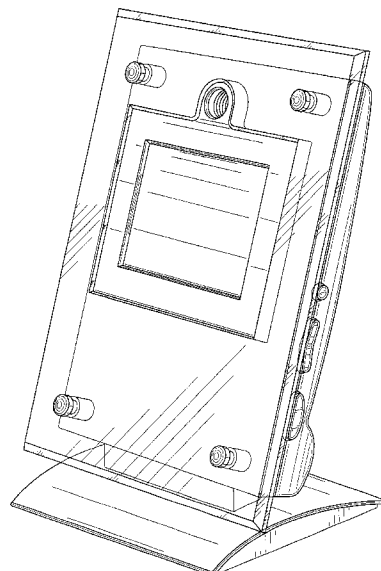
**CLAIM**

The ornamental design for a video phone, as shown and described.

**DESCRIPTION**

FIG. 1 is a perspective view showing our new design for a video phone;  
FIG. 2 is a front view thereof;  
FIG. 3 is a back view thereof;  
FIG. 4 is a left side view thereof;  
FIG. 5 is a right side view thereof;  
FIG. 6 is a top view thereof; and,  
FIG. 7 is a bottom view thereof.

**1 Claim, 7 Drawing Sheets**



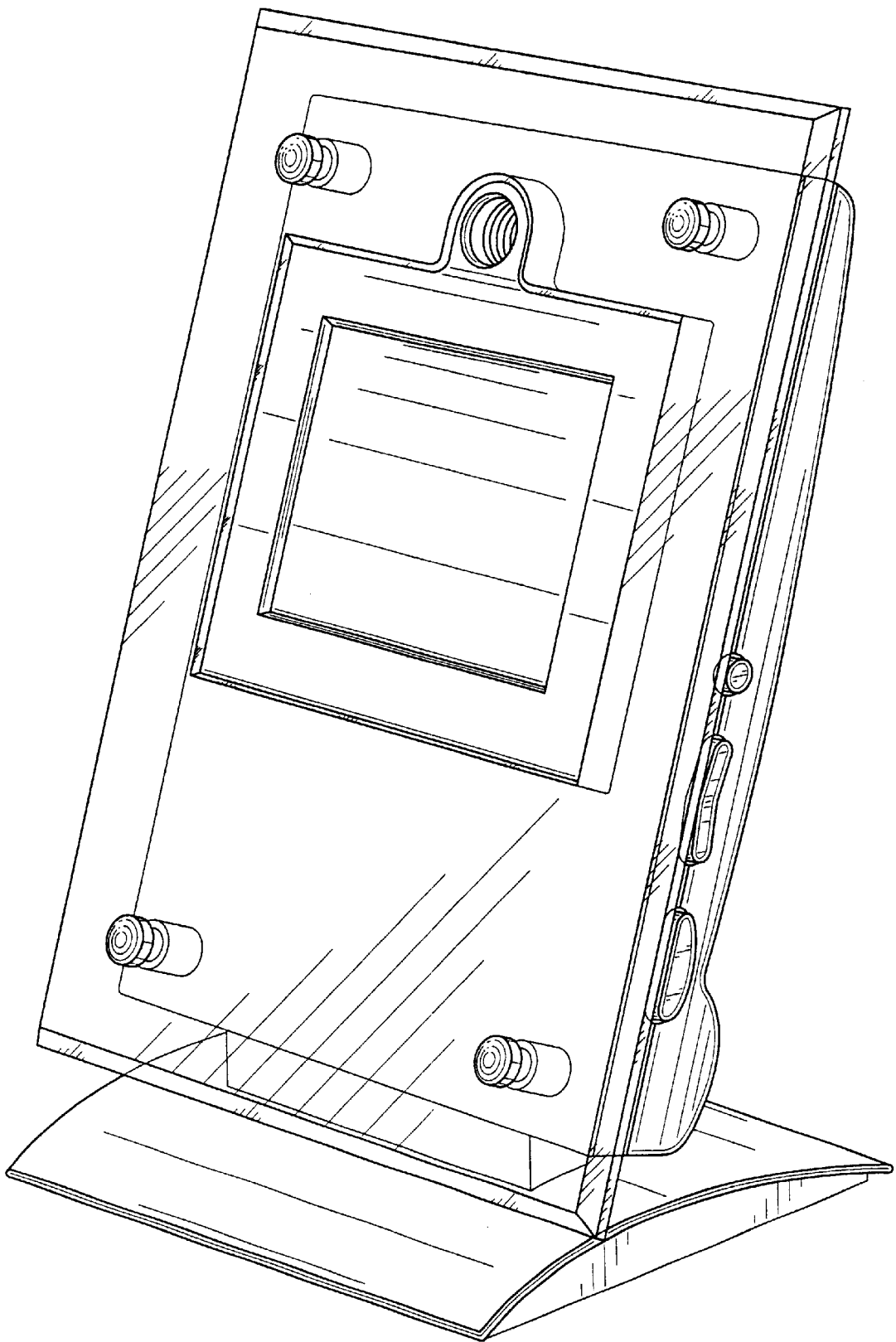


FIG. 1

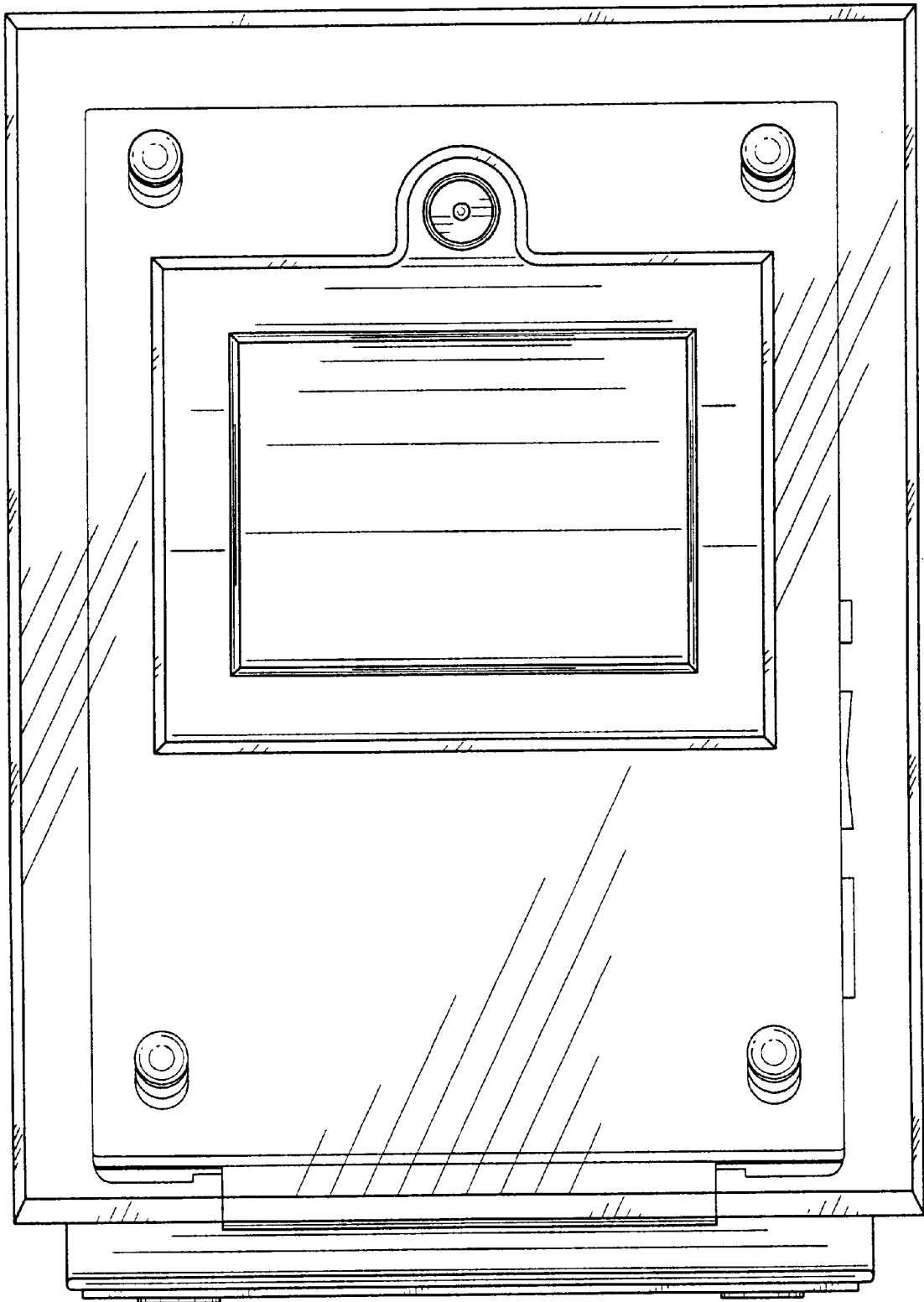


FIG. 2

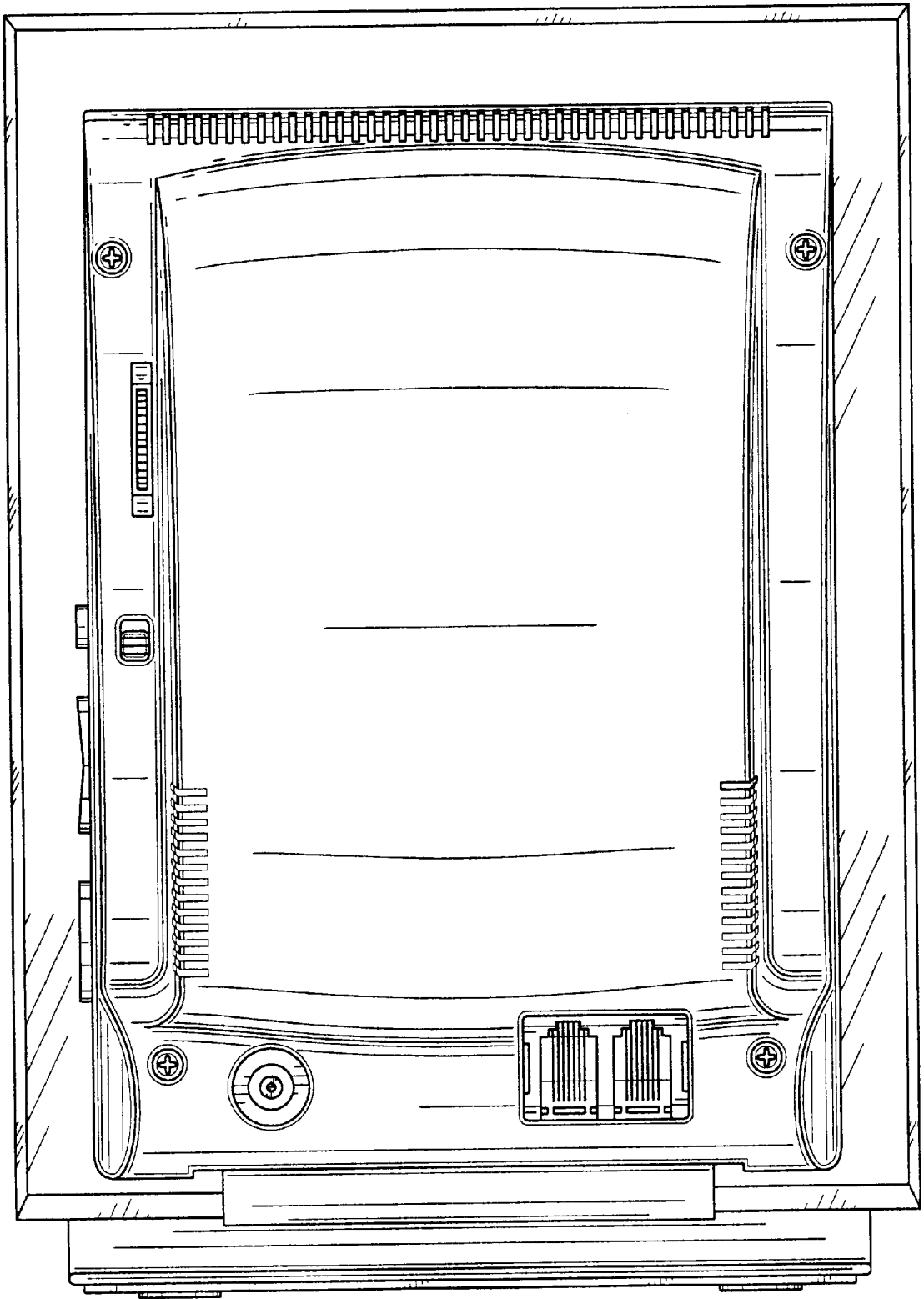


FIG. 3

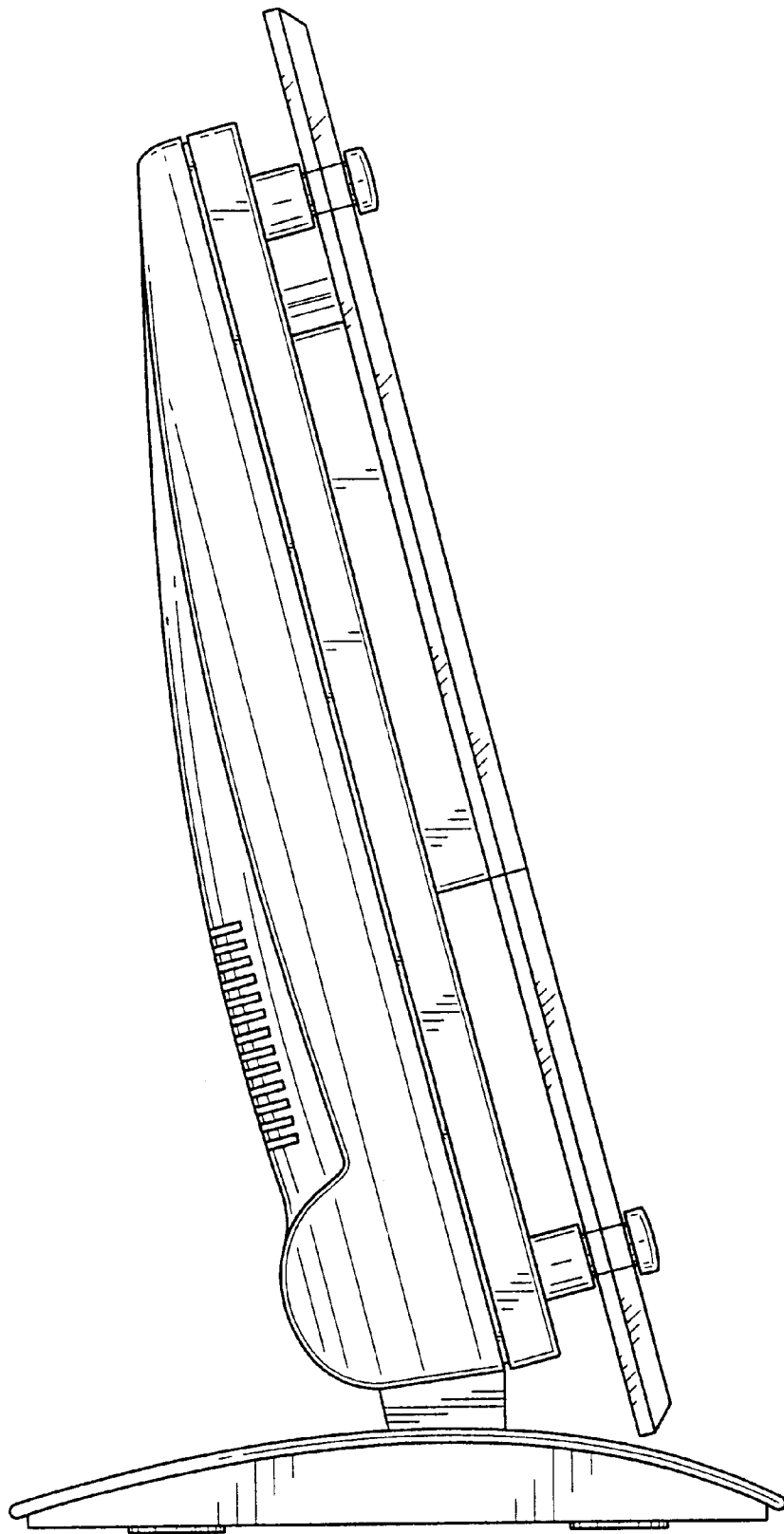


FIG. 4

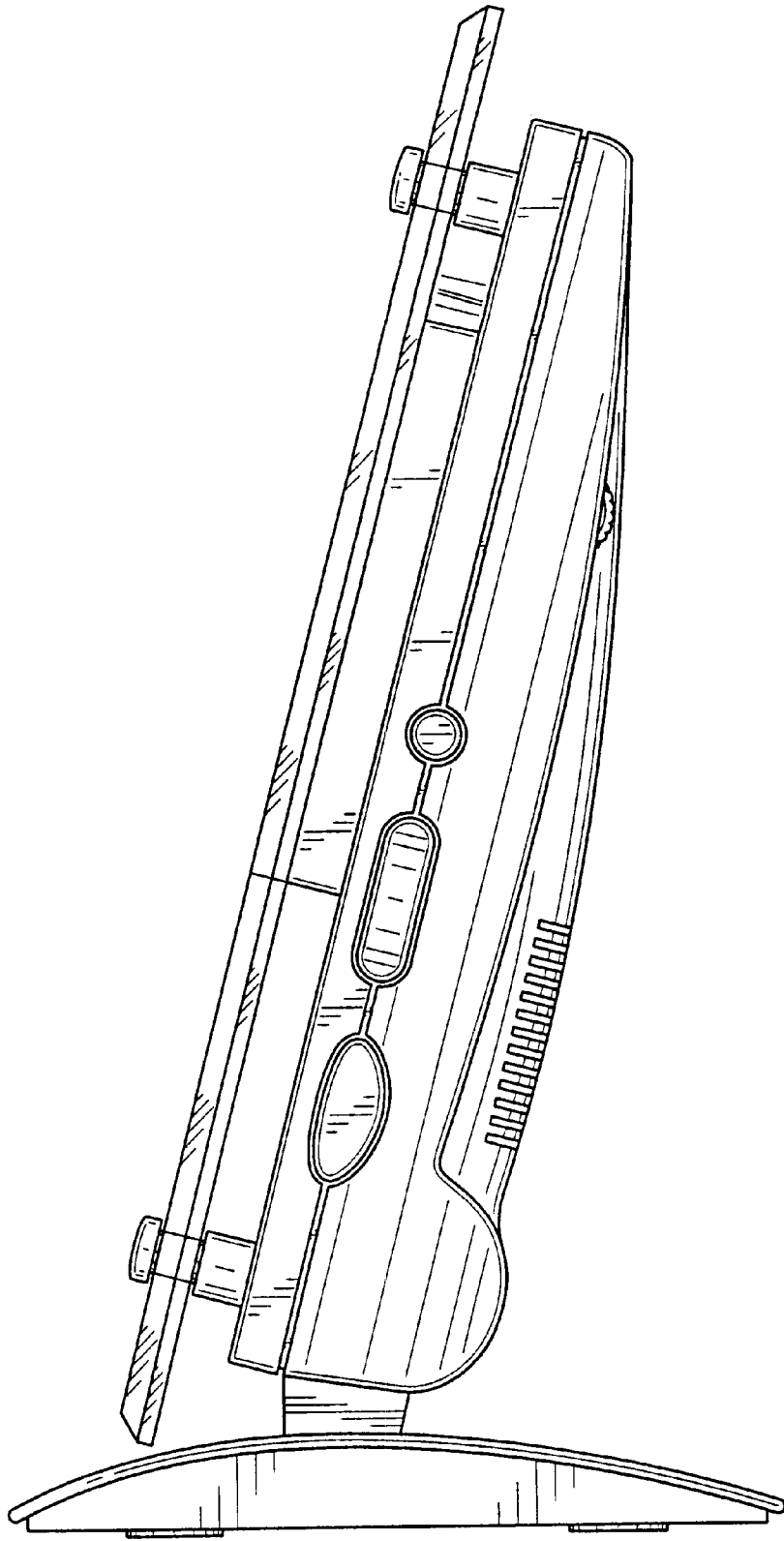


FIG. 5

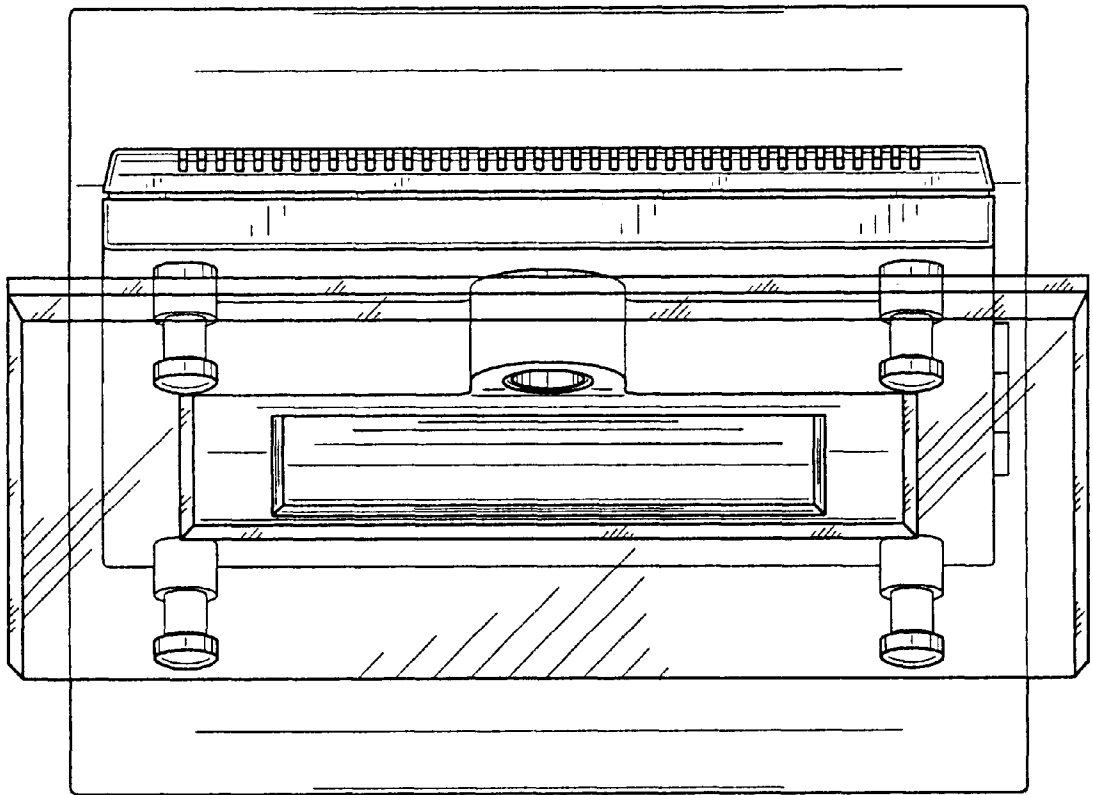


FIG.6

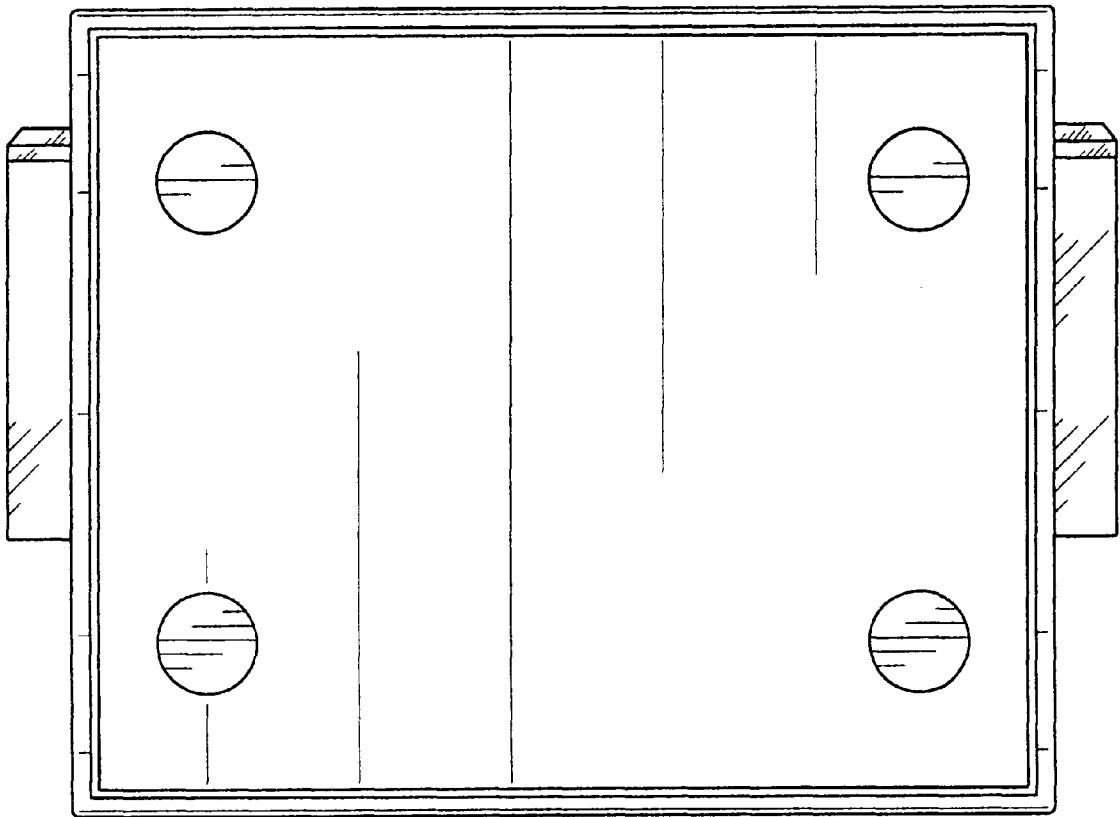


FIG. 7