



US00D816415S

(12) **United States Design Patent**
Li et al.

(10) **Patent No.:** **US D816,415 S**
(45) **Date of Patent:** **** May 1, 2018**

- (54) **MEAL BOX**
- (71) Applicant: **Tianjin Renyi Industry Co., Ltd.**,
Tianjin (CN)
- (72) Inventors: **Jinglin Li**, Tianjin (CN); **Liren Li**,
Tianjin (CN); **Wei Zhang**, Tianjin (CN)
- (73) Assignee: **Tianjin Renyi Industry Co., Ltd.**,
Tianjin (CN)
- (**) Term: **15 Years**
- (21) Appl. No.: **29/607,054**
- (22) Filed: **Jun. 9, 2017**
- (51) **LOC (11) Cl.** **07-01**
- (52) **U.S. Cl.**
USPC **D7/542**
- (58) **Field of Classification Search**
USPC D7/542, 629, 538, 500
CPC B65D 25/04; B65D 443/0218
See application file for complete search history.

| | | | |
|-------------------|---------|-----------------|-----------------------|
| D605,469 S * | 12/2009 | Wingfield | D7/505 |
| D642,868 S * | 8/2011 | Shah | D7/538 |
| D671,367 S * | 11/2012 | Shah | D7/542 |
| D682,609 S * | 5/2013 | Lindsay | D7/392.1 |
| D696,075 S * | 12/2013 | Mashike | D7/605 |
| D704,987 S * | 5/2014 | Stamper | D7/392.1 |
| 8,733,550 B2 * | 5/2014 | Harvey | B65D 53/02 206/508 |
| D708,913 S * | 7/2014 | Ng | D7/629 |
| D715,646 S * | 10/2014 | Fraser | D9/436 |
| D718,148 S * | 11/2014 | Marret | D9/717 |
| D722,832 S * | 2/2015 | Ra | D7/602 |
| D741,664 S * | 10/2015 | Kyle | D7/629 |
| D758,805 S * | 6/2016 | Myoung | D7/629 |
| D763,629 S * | 8/2016 | Swartz | D7/629 |
| D777,530 S * | 1/2017 | Marret | D7/629 |
| D780,534 S * | 3/2017 | Oliver | D7/629 |
| D796,266 S * | 9/2017 | Croft | D7/538 |
| 2005/0006390 A1 * | 1/2005 | Wang | B65D 45/30 220/326 |

(Continued)

Primary Examiner — Cynthia R Underwood
(74) *Attorney, Agent, or Firm* — Maier & Maier, PLLC

(57) **CLAIM**

The ornamental design for a meal box, as shown and described.

DESCRIPTION

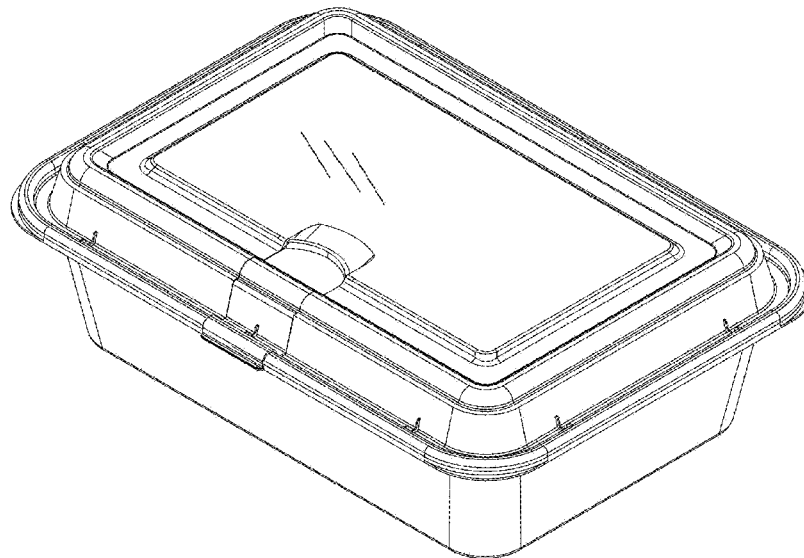
FIG. 1 is a perspective view of a meal box showing our new design;
FIG. 2 is a front view thereof;
FIG. 3 is a rear view thereof;
FIG. 4 is a left side view thereof;
FIG. 5 is a right side view thereof;
FIG. 6 is a top view thereof;
FIG. 7 is a bottom view thereof; and,
FIG. 8 is a top down view of the meal box with the lid in an alternate position.

1 Claim, 8 Drawing Sheets

(56) **References Cited**

U.S. PATENT DOCUMENTS

| | | | |
|----------------|---------|------------------|-------------------------|
| 3,955,742 A * | 5/1976 | Marshall | B65D 51/247 220/270 |
| 5,174,452 A * | 12/1992 | Wang | A45C 11/20 206/542 |
| 5,443,174 A * | 8/1995 | Bauer | B65D 17/4011 220/212 |
| 6,003,710 A * | 12/1999 | Huang | B65D 51/246 215/228 |
| 6,371,324 B1 * | 4/2002 | Torniainen | B65D 51/246 206/541 |
| D513,979 S * | 1/2006 | Snedden | D9/418 |
| D528,432 S * | 9/2006 | Snedden | D9/716 |
| D547,124 S * | 7/2007 | Peretz | D7/505 |
| D569,243 S * | 5/2008 | Kidd | D9/425 |
| D601,381 S * | 10/2009 | Stamper | D7/505 |



(56)

References Cited

U.S. PATENT DOCUMENTS

2005/0035125 A1* 2/2005 Bae B65D 43/0218
220/326
2014/0103033 A1* 4/2014 Beckman B65D 25/04
220/4.01

* cited by examiner

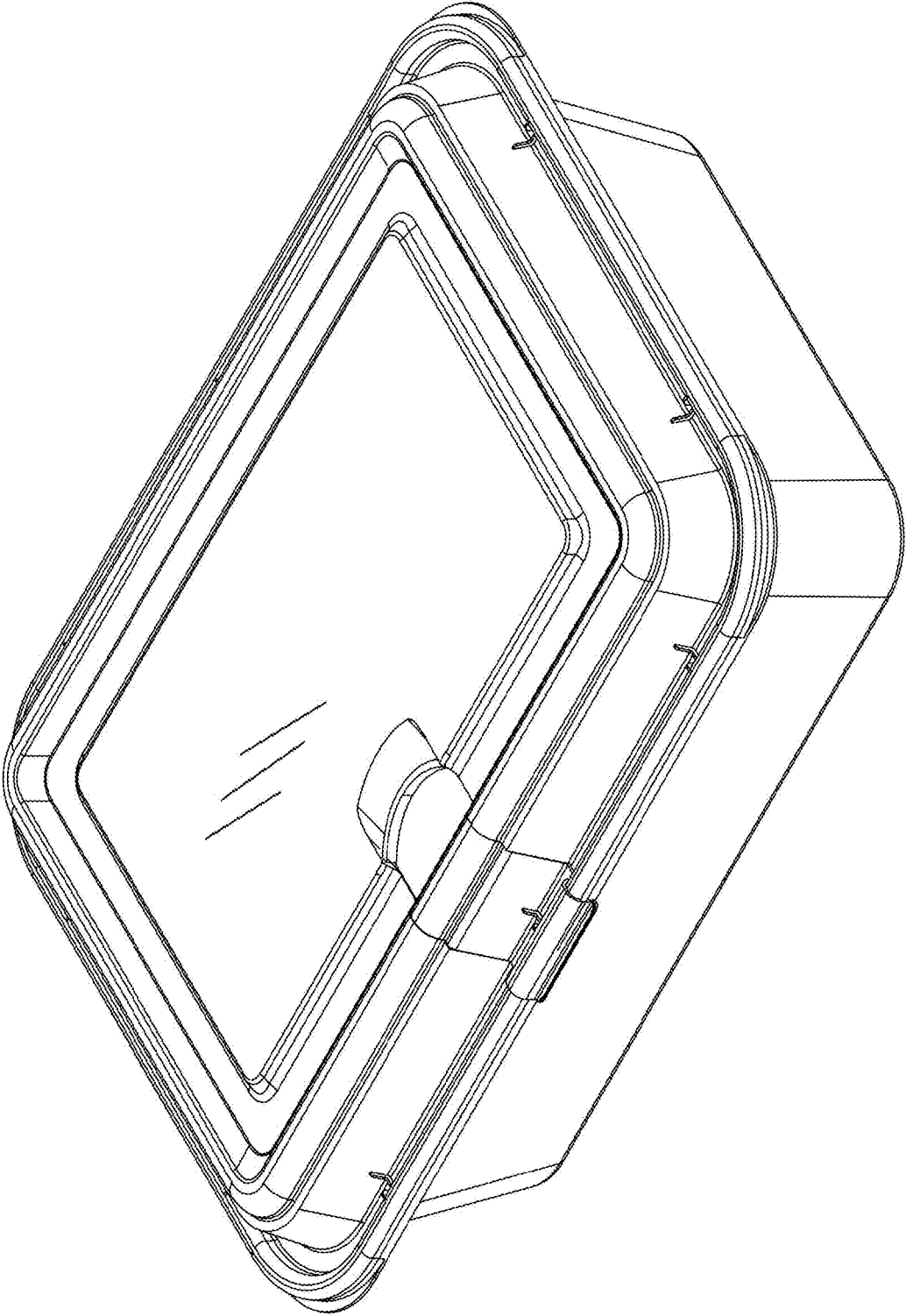


Figure 1

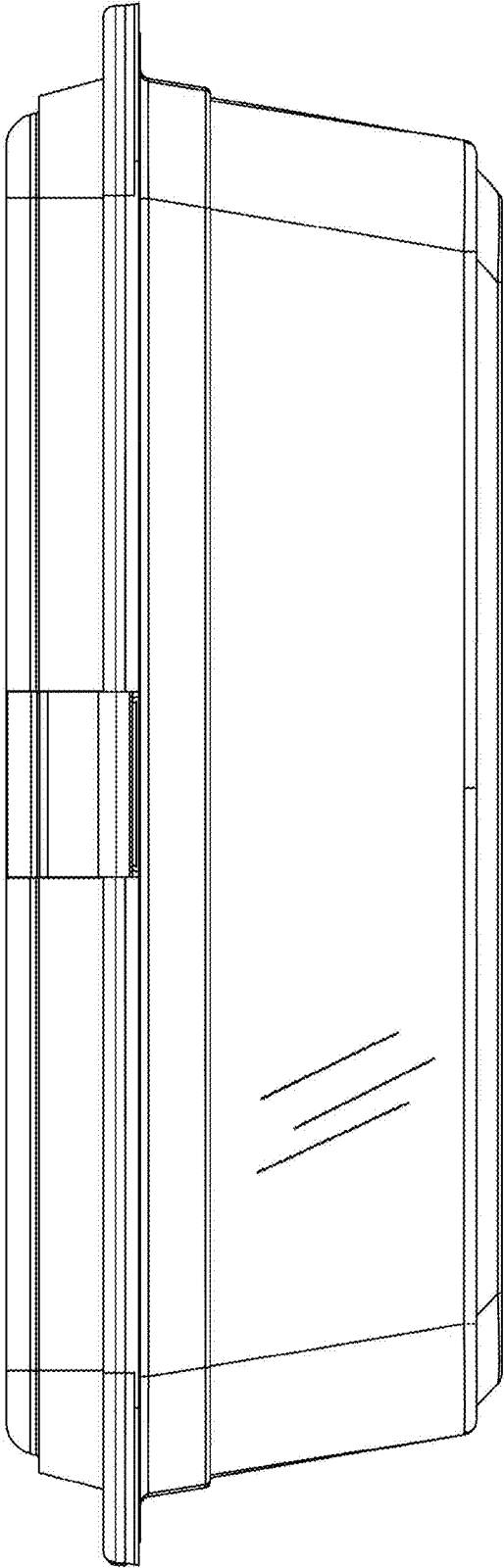


Figure 2

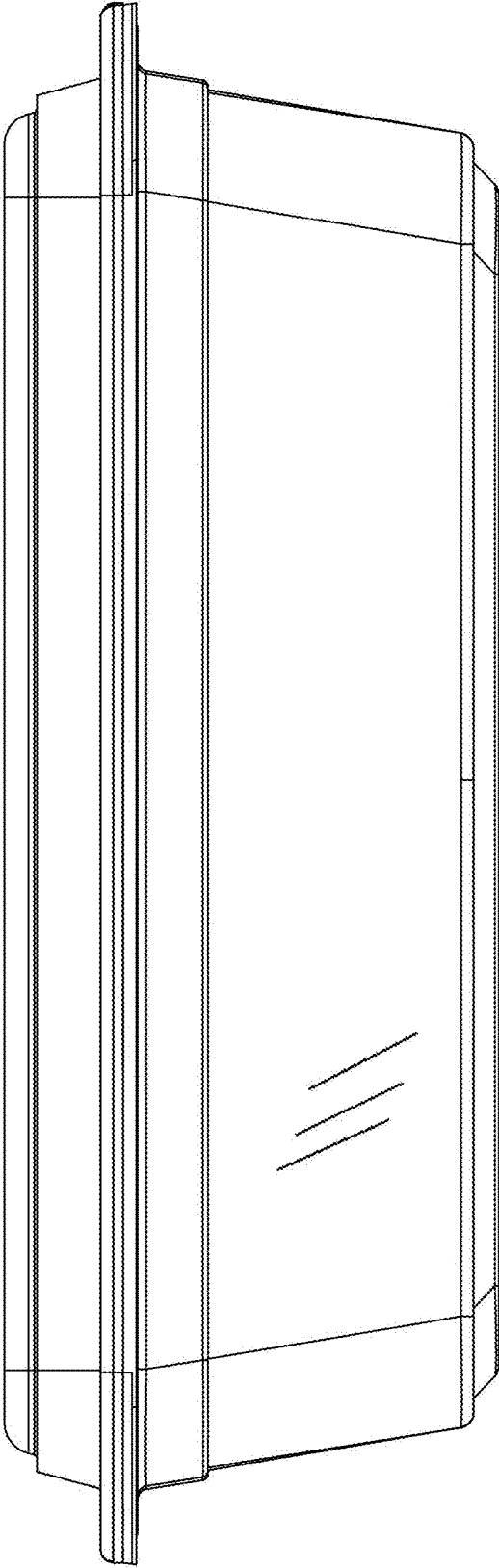


Figure 3

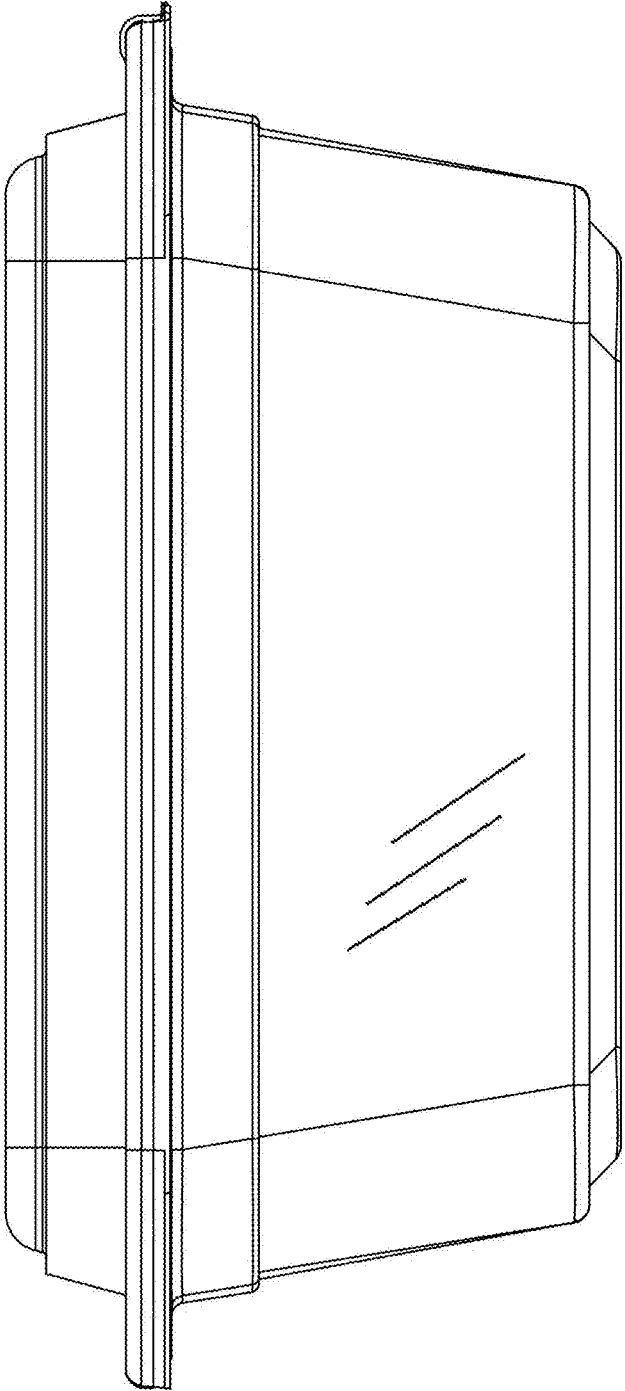


Figure 4

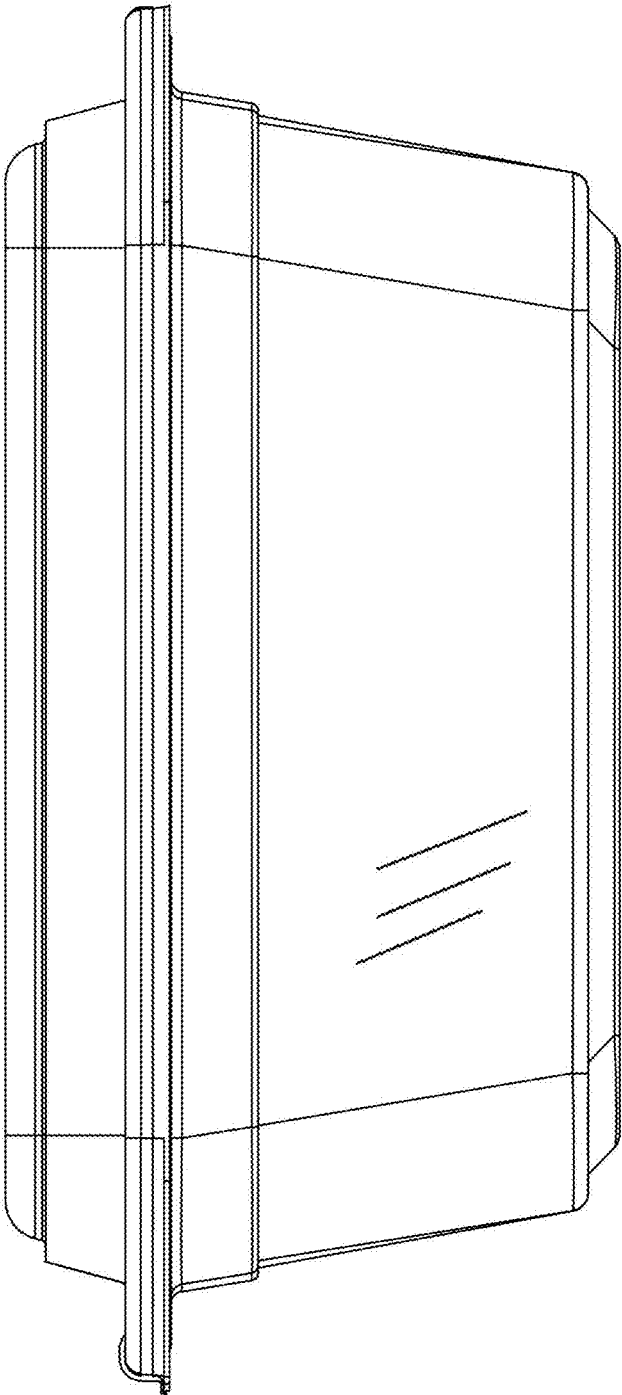


Figure 5

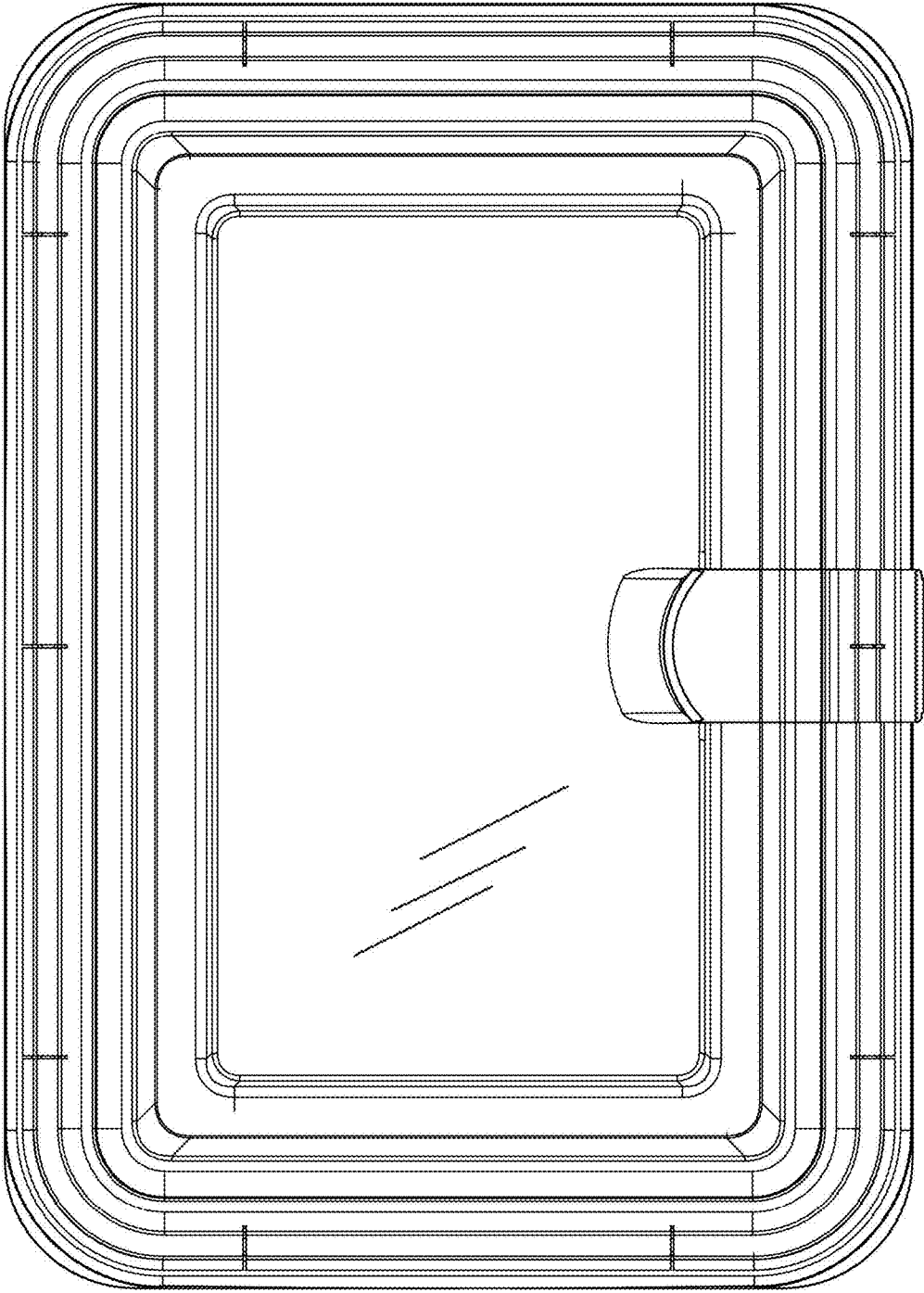


Figure 6

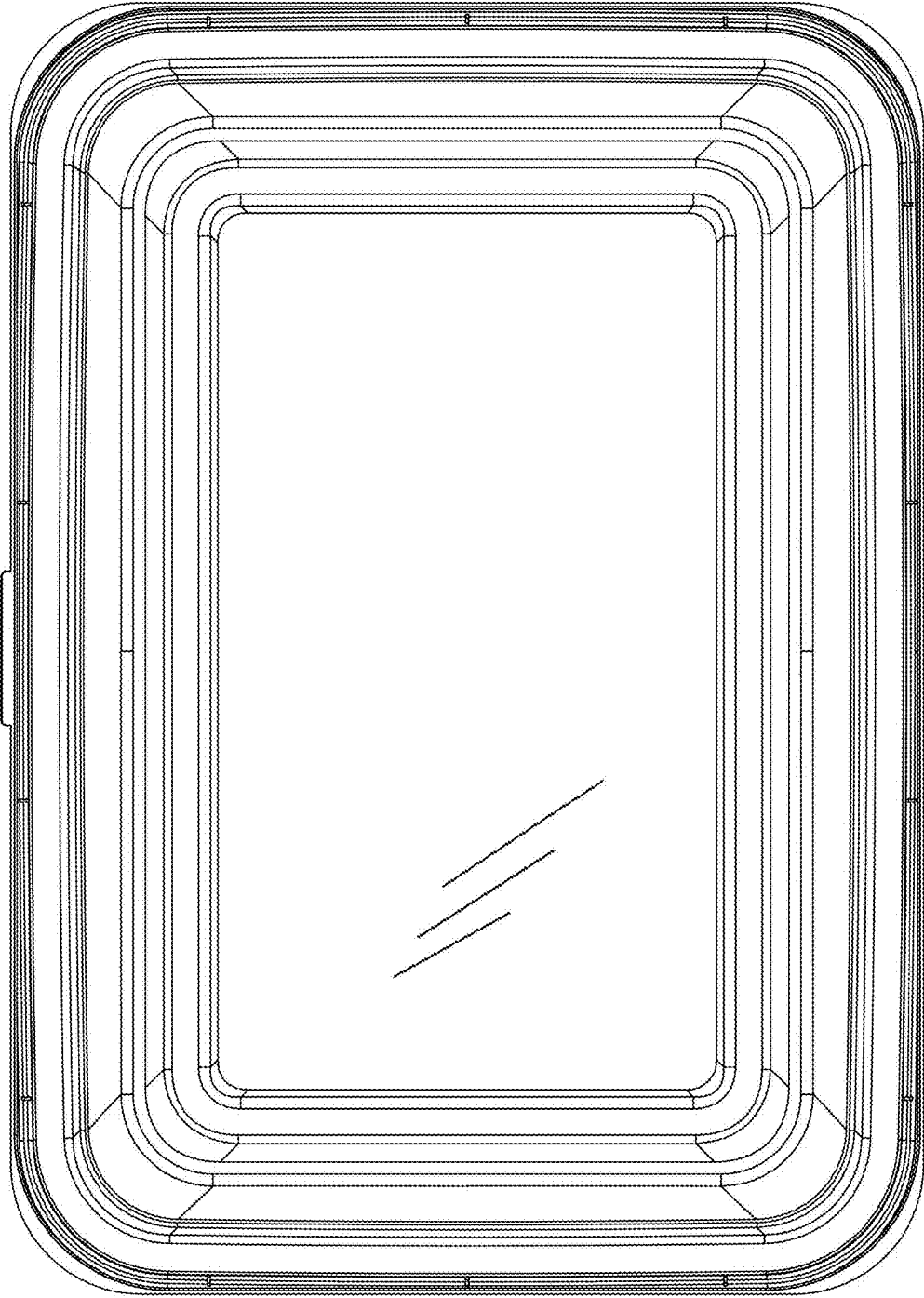


Figure 7

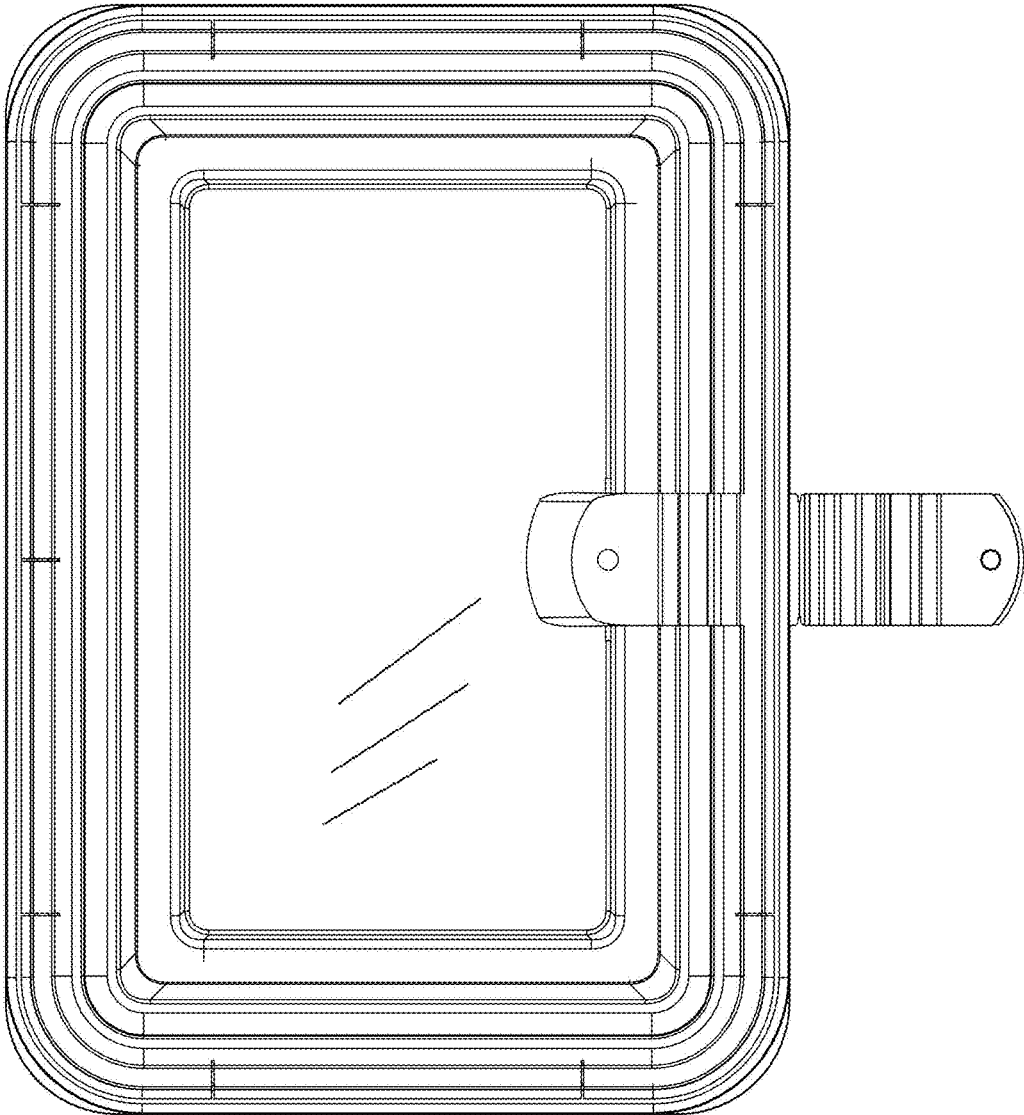


Figure 8