



US00D523538S

(12) **United States Design Patent**
Brochu

(10) **Patent No.:** **US D523,538 S**

(45) **Date of Patent:** **** Jun. 20, 2006**

(54) **EAVESTROUGH COVER**

(76) Inventor: **Guy Brochu**, 3031 rue des Chatelets
#214, Sainte-Foy, Quebec (CA), G1V
2X6

(**) Term: **14 Years**

(21) Appl. No.: **29/225,008**

(22) Filed: **Mar. 8, 2005**

(30) **Foreign Application Priority Data**

Oct. 27, 2004 (CA) 108795

(51) **LOC (8) Cl.** **23-01**

(52) **U.S. Cl.** **D23/267**

(58) **Field of Classification Search** D23/261,
D23/267; 52/12, 302.1, 302.3, 169.5, 11,
52/13; 248/48.1; D25/119

See application file for complete search history.

(56) **References Cited**

U.S. PATENT DOCUMENTS

D223,829 S * 6/1972 Cook D23/261
4,727,689 A * 3/1988 Bosler 52/12
5,056,276 A * 10/1991 Nielsen et al. 52/12

D410,530 S * 6/1999 Turner D23/267
D417,264 S * 11/1999 Beth D23/261
6,944,992 B1 * 9/2005 Brochu 52/12

* cited by examiner

Primary Examiner—Robin Webster

(74) *Attorney, Agent, or Firm*—Eric Fincham

(57) **CLAIM**

An ornamental design for an eavestrough cover, as shown and described.

DESCRIPTION

FIG. 1 is a perspective view of the eavestrough cover of the instant design;

FIG. 2 is a top plan view thereof;

FIG. 3 is a side elevational view, as seen from the left hand side of FIG. 2;

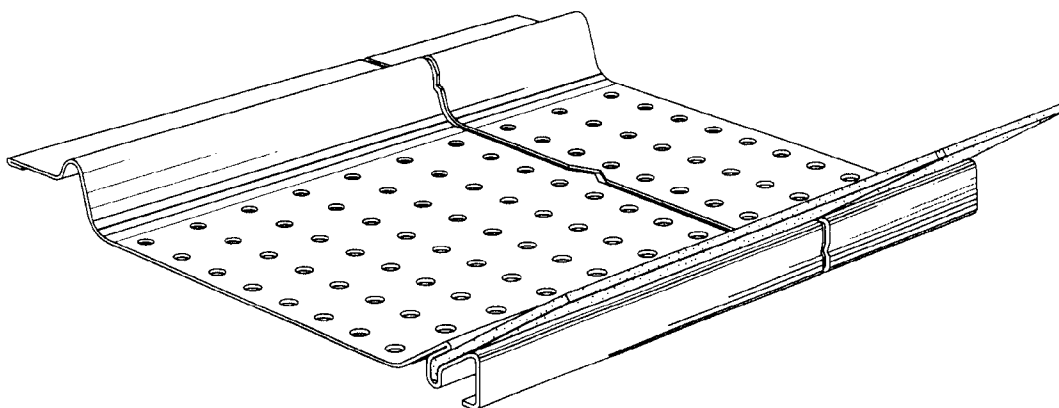
FIG. 4 is an end elevational view thereof;

FIG. 5 is a side elevational view as seen from the right hand side of FIG. 2; and,

FIG. 6 is a bottom plan view thereof.

The claimed design is shown fragmented to indicate indeterminate length.

1 Claim, 2 Drawing Sheets



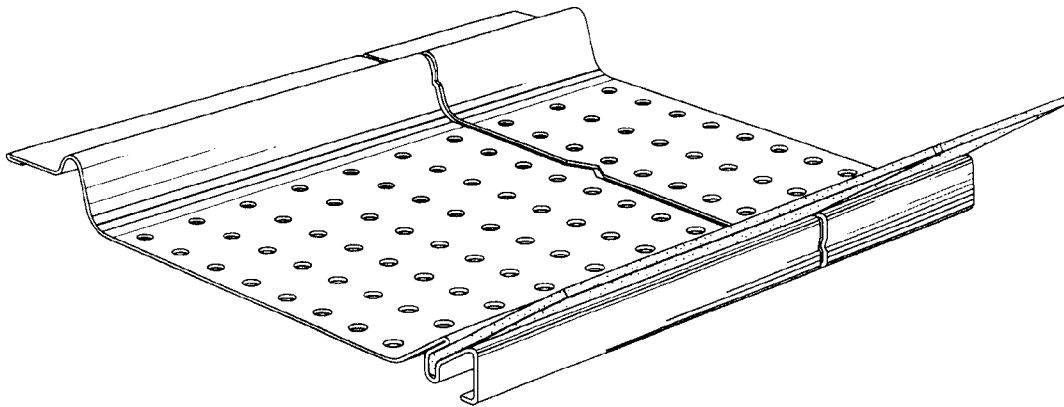


Fig-1

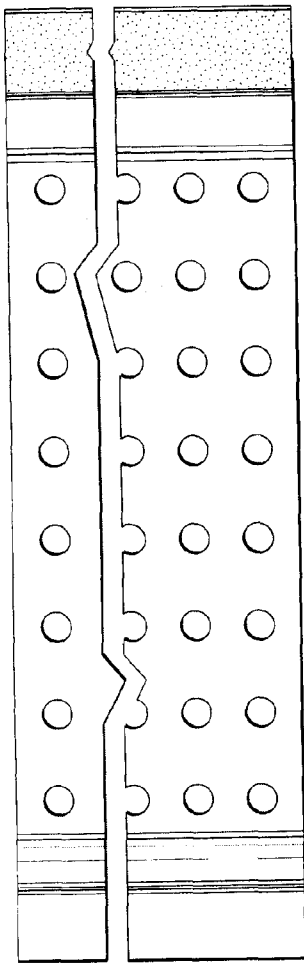


Fig-2

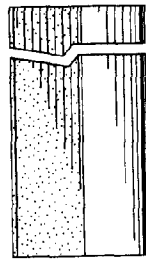


Fig-3

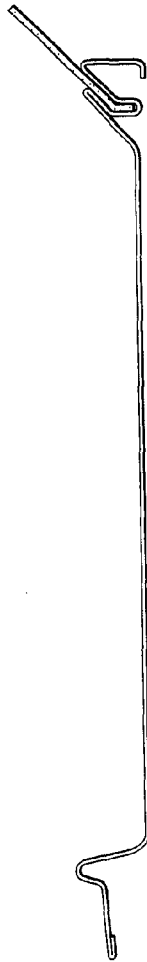


Fig-4

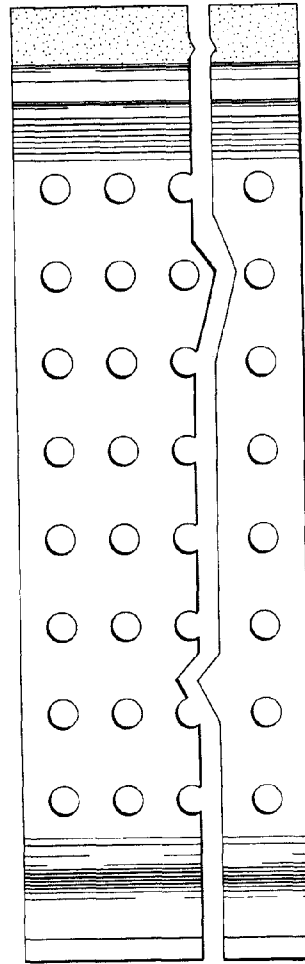


Fig-6

Fig-5

