

(19) World Intellectual Property Organization
International Bureau



(43) International Publication Date
13 December 2007 (13.12.2007)

PCT

(10) International Publication Number
WO 2007/142820 A3

(51) International Patent Classification:
G01C 11/00 (2006.01) **G01C 15/02** (2006.01)

(21) International Application Number:
PCT/US2007/012205

(22) International Filing Date: 18 May 2007 (18.05.2007)

(25) Filing Language: English

(26) Publication Language: English

(30) Priority Data:
11/437,201 19 May 2006 (19.05.2006) US
11/550,101 17 October 2006 (17.10.2006) US

(71) Applicant (for all designated States except US): **THE BOEING COMPANY** [US/US]; 100 North Riverside Plaza, Chicago, IL 60606-2016 (US).

(72) Inventors; and

(75) Inventors/Applicants (for US only): **MARSH, Bobby, J.** [US/US]; 12003 26th Street NE, Lake Stevens, WA 98258 (US). **VANSCOTTER, Kinson, D.** [US/US]; 18823 62nd Avenue NW, Stanwood, WA 98292 (US). **CAMPBELL, Brian, E.** [US/US]; 36955 SE 91st Street, Snoqualmie, WA 98065 (US).

(74) Agents: **PLANK, Dennis, R.** et al.; The Boeing Company, P.O. Box 3707, MC 11-XL, Seattle, WA 98124-2207 (US).

(81) Designated States (unless otherwise indicated, for every kind of national protection available): AE, AG, AL, AM, AT, AU, AZ, BA, BB, BG, BH, BR, BW, BY, BZ, CA, CH, CN, CO, CR, CU, CZ, DE, DK, DM, DZ, EC, EE, EG, ES, FI, GB, GD, GE, GH, GM, GT, HN, HR, HU, ID, IL, IN, IS, JP, KE, KG, KM, KN, KP, KR, KZ, LA, LC, LK, LR, LS, LT, LU, LY, MA, MD, ME, MG, MK, MN, MW, MX, MY, MZ, NA, NG, NI, NO, NZ, OM, PG, PH, PL, PT, RO, RS, RU, SC, SD, SE, SG, SK, SL, SM, SV, SY, TJ, TM, TN, TR, TT, TZ, UA, UG, US, UZ, VC, VN, ZA, ZM, ZW.

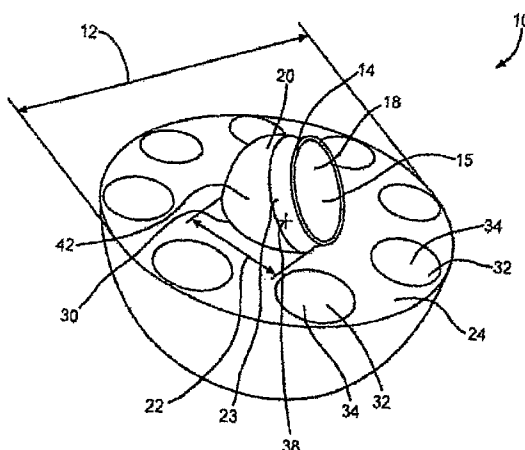
(84) Designated States (unless otherwise indicated, for every kind of regional protection available): ARIPO (BW, GH, GM, KE, LS, MW, MZ, NA, SD, SL, SZ, TZ, UG, ZM, ZW), Eurasian (AM, AZ, BY, KG, KZ, MD, RU, TJ, TM), European (AT, BE, BG, CH, CY, CZ, DE, DK, EE, ES, FI, FR, GB, GR, HU, IE, IS, IT, LT, LU, LV, MC, MT, NL, PL, PT, RO, SE, SI, SK, TR), OAPI (BF, BJ, CF, CG, CI, CM, GA, GN, GQ, GW, ML, MR, NE, SN, TD, TG).

Published:

- with international search report
- before the expiration of the time limit for amending the claims and to be republished in the event of receipt of amendments

(88) Date of publication of the international search report:
10 April 2008

(54) Title: COMBINATION LASER AND PHOTOGRAMMETRY TARGET



(57) Abstract: The invention relates to the use of one or more targets in measuring surfaces. Each of the one or more targets may comprise a first portion adapted to reflect a laser beam towards a laser tracking device, and a second portion adapted to reflect a light beam towards a photogrammetry device, and a third portion uniquely identifying the target. Simultaneous photogrammetry and laser tracking measurements may be taken utilizing the one or more targets.



WO 2007/142820 A3

INTERNATIONAL SEARCH REPORT

International application No
PCT/US2007/012205

A. CLASSIFICATION OF SUBJECT MATTER
INV. G01C11/00 G01C15/02

According to International Patent Classification (IPC) or to both national classification and IPC

B. FIELDS SEARCHED

Minimum documentation searched (classification system followed by classification symbols)
G01C G01B

Documentation searched other than minimum documentation to the extent that such documents are included in the fields searched

Electronic data base consulted during the international search (name of data base and, where practical, search terms used)

EPO-Internal, WPI Data

C. DOCUMENTS CONSIDERED TO BE RELEVANT

Category*	Citation of document, with indication, where appropriate, of the relevant passages	Relevant to claim No.
X Y	US 5 805 289 A (CORBY JR NELSON RAYMOND [US] ET AL) 8 September 1998 (1998-09-08) column 4, line 63 - column 5, line 24; figure 4	1, 3, 5-7, 10, 24 11, 13-23, 25, 26
Y	WO 02/097362 A (BAE SYSTEMS PLC [GB]; GOOCH RICHARD MICHAEL [GB]) 5 December 2002 (2002-12-05) page 5, line 17 - page 6, line 20; figure 4	11, 13-23, 25, 26
X	WO 00/03346 A (FLUOR CORP [US]) 20 January 2000 (2000-01-20) page 7, line 22 - page 8, line 7; figure 5	1, 9, 10, 12, 24

Further documents are listed in the continuation of Box C.

See patent family annex.

* Special categories of cited documents :

- *A* document defining the general state of the art which is not considered to be of particular relevance
- *E* earlier document but published on or after the international filing date
- *L* document which may throw doubts on priority claim(s) or which is cited to establish the publication date of another citation or other special reason (as specified)
- *O* document referring to an oral disclosure, use, exhibition or other means
- *P* document published prior to the international filing date but later than the priority date claimed

- *T* later document published after the international filing date or priority date and not in conflict with the application but cited to understand the principle or theory underlying the invention
- *X* document of particular relevance; the claimed invention cannot be considered novel or cannot be considered to involve an inventive step when the document is taken alone
- *Y* document of particular relevance; the claimed invention cannot be considered to involve an inventive step when the document is combined with one or more other such documents, such combination being obvious to a person skilled in the art.
- * & * document member of the same patent family

Date of the actual completion of the international search

8 February 2008

Date of mailing of the international search report

19/02/2008

Name and mailing address of the ISA/

European Patent Office, P.B. 5818 Patentlaan 2
NL - 2280 HV Rijswijk
Tel. (+31-70) 340-2040, Tx. 31 651 epo nl,
Fax: (+31-70) 340-3016

Authorized officer

Hoekstra, Frank

INTERNATIONAL SEARCH REPORT

Information on patent family members

International application No

PCT/US2007/012205

Patent document cited in search report	A	Publication date	Patent family member(s)	Publication date
US 5805289	A	08-09-1998	US 5867273 A	02-02-1999
WO 02097362	A	05-12-2002	NONE	
WO 0003346	A	20-01-2000	AT 231999 T	15-02-2003
			AU 4974799 A	01-02-2000
			DE 69905175 D1	06-03-2003
			DE 69905175 T2	22-01-2004
			EP 1108245 A1	20-06-2001
			US 6154564 A	28-11-2000