



(12) **United States Design Patent**  
**Shimobayashi**

(10) **Patent No.:** **US D799,035 S**  
(45) **Date of Patent:** **\*\* Oct. 3, 2017**

(54) **ENDOSCOPE VIDEO PROCESSOR**

(71) Applicant: **OLYMPUS CORPORATION**, Tokyo (JP)

(72) Inventor: **Koji Shimobayashi**, Hachioji (JP)

(73) Assignee: **OLYMPUS CORPORATION**, Tokyo (JP)

(\*\*) Term: **15 Years**

(21) Appl. No.: **29/544,049**

(22) Filed: **Oct. 30, 2015**

(30) **Foreign Application Priority Data**

Apr. 30, 2015 (EM) ..... 002692368-0001  
Apr. 30, 2015 (EM) ..... 002692368-0029

(51) **LOC (10) CL.** ..... **24-02**

(52) **U.S. CL.**  
USPC ..... **D24/138**

(58) **Field of Classification Search**

USPC .... D24/107, 108, 110.6, 111-114, 117, 118, D24/129, 130, 132-134, 135, 137, 138, D24/222, 127, 140, 141, 143, 144, 148, D24/160, 79, 216, 152-154, 164, 165, D24/176, 170; D14/394, 395, 397, 333; D13/162, 163, 171; D10/46, 49, 62; D18/7, 12.2, 41  
CPC . A61B 90/361; A61B 90/37; A61B 2090/378; A61B 1/00133; A61B 1/015; A61B 1/041; A61B 1/045; A61B 1/051; A61B 1/0661; A61B 10/04; A61B 1/00121; A61B 2090/3925; A61B 5/036

See application file for complete search history.

(56) **References Cited**

U.S. PATENT DOCUMENTS

D481,123	S	*	10/2003	Hayamizu	.....	D24/107
D535,745	S	*	1/2007	Hayamizu	.....	D24/107
D564,094	S	*	3/2008	Hayashi	.....	D24/107
D564,661	S	*	3/2008	Hayashi	.....	D24/107
D624,650	S	*	9/2010	Tanaka	.....	D24/138
D640,376	S	*	6/2011	Amano	.....	D24/107
D641,081	S	*	7/2011	Onuma	.....	D24/138
D641,082	S	*	7/2011	Onuma	.....	D24/138
D643,117	S	*	8/2011	Onuma	.....	D24/138
D670,806	S	*	11/2012	Hayamizu	.....	D24/138
D671,212	S	*	11/2012	Tanaka	.....	D24/138
2016/0220097	A1	*	8/2016	Ohno	.....	A61B 1/00006

\* cited by examiner

*Primary Examiner* — Robert M Spear

*Assistant Examiner* — Eliza Bennett-Hattan

(74) *Attorney, Agent, or Firm* — Scully, Scott, Murphy & Presser, P.C.

(57) **CLAIM**

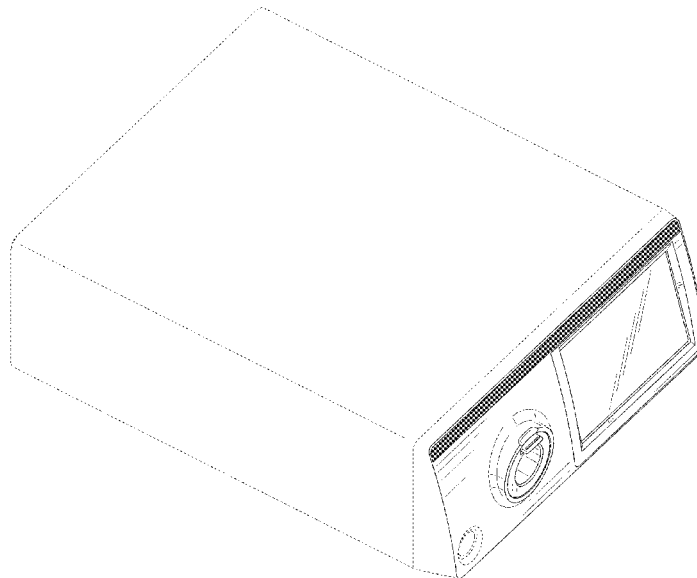
The ornamental design for an endoscope video processor, as shown and described.

**DESCRIPTION**

FIG. 1 is a perspective view of the endoscope video processor, showing my new design;  
FIG. 2 is a front view thereof;  
FIG. 3 is a rear view thereof;  
FIG. 4 is a left side view thereof;  
FIG. 5 is a right side view thereof;  
FIG. 6 is a top view thereof; and,  
FIG. 7 is a bottom view thereof.

The broken lines are for the purpose of illustrating environmental portions of the endoscope video processor and form no part of the claimed design.

**1 Claim, 7 Drawing Sheets**



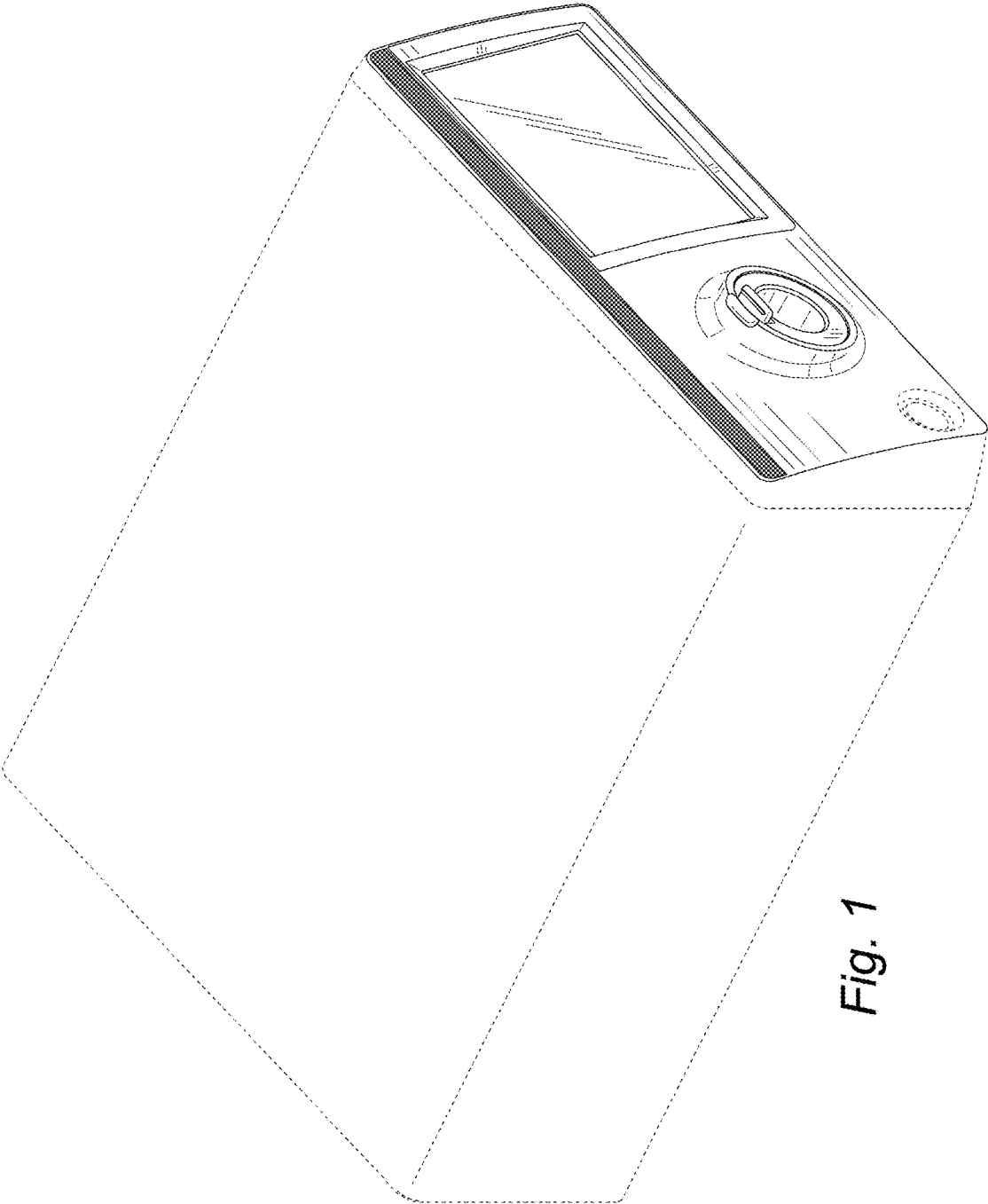


Fig. 1

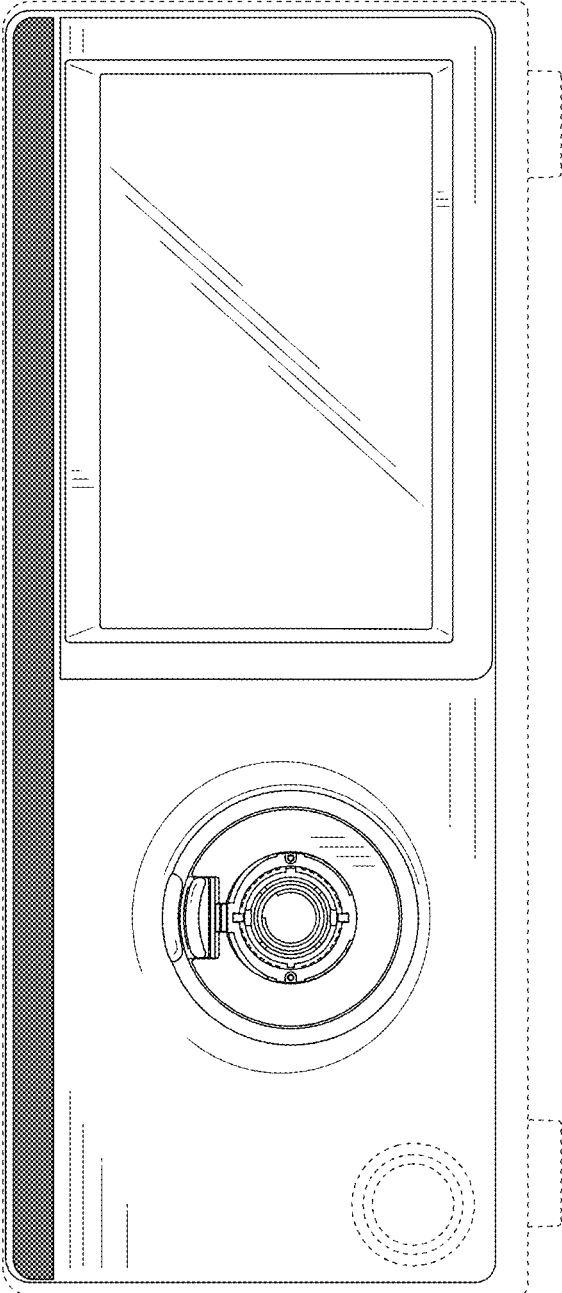


Fig. 2



Fig. 3



Fig. 4

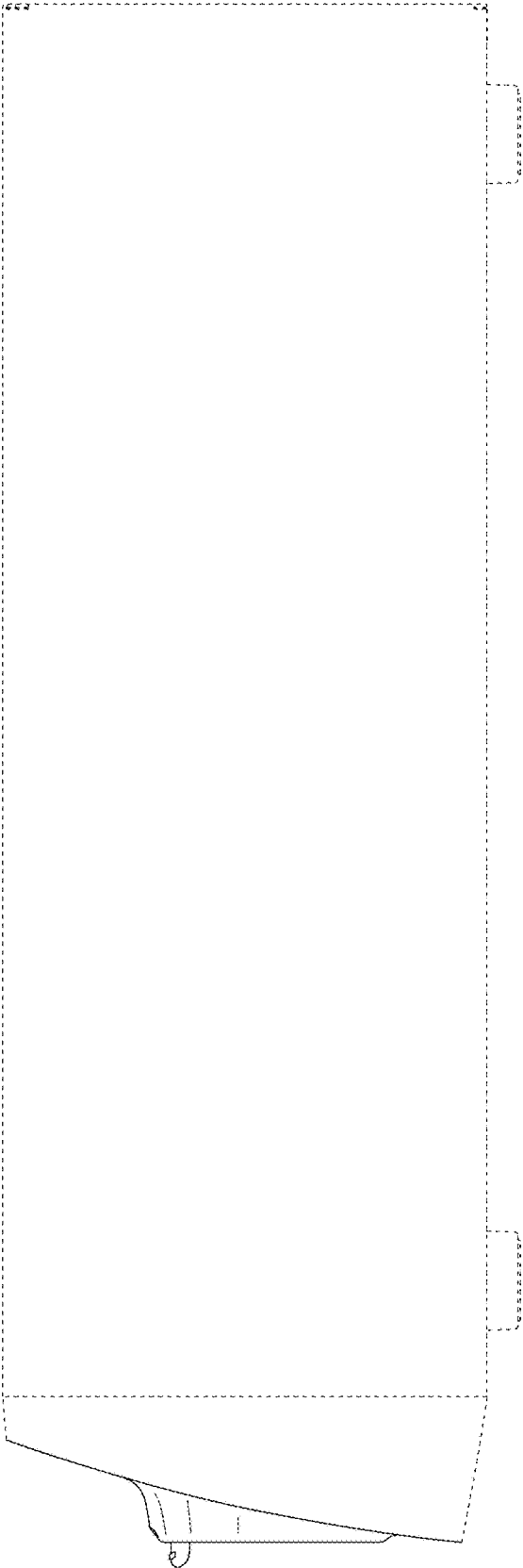


Fig. 5

*Fig. 6*



*Fig. 7*

