

(19) World Intellectual Property Organization
International Bureau



(43) International Publication Date
30 June 2011 (30.06.2011)

PCT

(10) International Publication Number
WO 2011/075840 A1

- (51) International Patent Classification:
A61F 11/08 (2006.01) H04R 25/02 (2006.01)
- (21) International Application Number:
PCT/CA2010/002044
- (22) International Filing Date:
24 December 2010 (24.12.2010)
- (25) Filing Language: English
- (26) Publication Language: English
- (30) Priority Data:
61/282,176 24 December 2009 (24.12.2009) US
- (71) Applicant (for all designated States except US): SONO-MAX TECHNOLOGIES INC. [CA/CA]; 8375, Mayrand Street, Montreal, Quebec H4P 2E2 (CA).
- (72) Inventors; and
- (75) Inventors/Applicants (for US only): VOIX, Jérémie [CA/CA]; 7713, Henri-Julien, Montréal, Québec H2R 2B6 (CA). LAPERLE, Jean-Nicholas [CA/CA]; 4020, St-Ambroise # 458, Montréal, Québec H4C 2C7 (CA).
- (74) Agent: EQUINOX; 410 - 1500, Du Collège, St-Laurent, Québec H4L 5G6 (CA).

(81) Designated States (unless otherwise indicated, for every kind of national protection available): AE, AG, AL, AM, AO, AT, AU, AZ, BA, BB, BG, BH, BR, BW, BY, BZ, CA, CH, CL, CN, CO, CR, CU, CZ, DE, DK, DM, DO, DZ, EC, EE, EG, ES, FI, GB, GD, GE, GH, GM, GT, HN, HR, HU, ID, IL, IN, IS, JP, KE, KG, KM, KN, KP, KR, KZ, LA, LC, LK, LR, LS, LT, LU, LY, MA, MD, ME, MG, MK, MN, MW, MX, MY, MZ, NA, NG, NI, NO, NZ, OM, PE, PG, PH, PL, PT, RO, RS, RU, SC, SD, SE, SG, SK, SL, SM, ST, SV, SY, TH, TJ, TM, TN, TR, TT, TZ, UA, UG, US, UZ, VC, VN, ZA, ZM, ZW.

(84) Designated States (unless otherwise indicated, for every kind of regional protection available): ARIPO (BW, GH, GM, KE, LR, LS, MW, MZ, NA, SD, SL, SZ, TZ, UG, ZM, ZW), Eurasian (AM, AZ, BY, KG, KZ, MD, RU, TJ, TM), European (AL, AT, BE, BG, CH, CY, CZ, DE, DK, EE, ES, FI, FR, GB, GR, HR, HU, IE, IS, IT, LT, LU, LV, MC, MK, MT, NL, NO, PL, PT, RO, RS, SE, SI, SK, SM, TR), OAPI (BF, BJ, CF, CG, CI, CM, GA, GN, GQ, GW, ML, MR, NE, SN, TD, TG).

Published:

- with international search report (Art. 21(3))
- before the expiration of the time limit for amending the claims and to be republished in the event of receipt of amendments (Rule 48.2(h))

(54) Title: IN-EAR DEVICE WITH SELECTABLE FREQUENCY RESPONSE

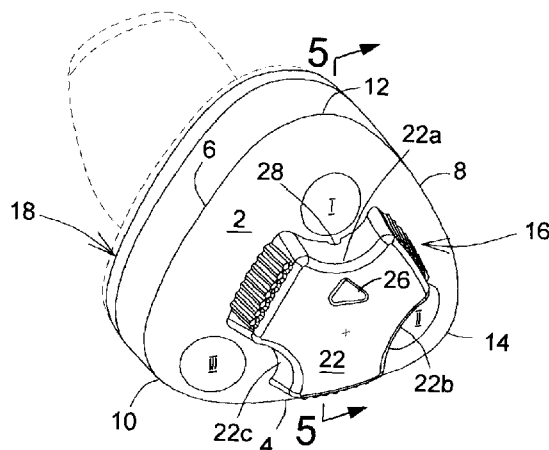


FIG. 3

(57) Abstract: An in-ear device (1,1', 100) comprises a main body (2) for placement in the outer ear of a wearer and has at least two derivative canals (24', 24'', 24''') each containing a filtering medium (25', 25'', 25''') differing from one another in terms of their frequency suppression capabilities, and a, preferably rotatable, knob (22,22') enabling selection of the respective filtering canal (24', 24'', 24''') without the need for removal of the device (1,1', 100) from the ear.



WO 2011/075840 A1

IN-EAR DEVICE WITH SELECTABLE FREQUENCY RESPONSE

FIELD OF THE INVENTION

This invention relates to in-ear devices, such as intra-aural hearing protectors (earplugs), earphones, or hearing-aid devices, and more specifically to an in-ear
5 device which has a selectable frequency response with pre-determined values, the selection being made with the device being properly positioned inside the wearer's ear.

BACKGROUND OF THE INVENTION

High-level sounds, and particularly the recurrence thereof, are known to cause
10 hearing impairment, and in extreme cases, the loss of hearing. In order to avoid the hearing impairments, numerous types of hearing protectors for noise reduction has been proposed to be used in different fields and uses such as military, industrial applications and music.

One of the most common hearing protectors is a foam earplug. Foam earplugs
15 are rolled-down and inserted into the ear canal. When the rolling pressure is interrupted, the plug expands to fit the inner morphology of the ear. One of the limitations of foam earplugs is that they are intended to filter a broad range of sound frequencies. If the wearer needs protection for a specific range of sound frequencies - or when the user needs a less attenuating product in order to hear
20 voice or warning signals - he will have to completely remove the earplugs and take a new pair of plugs made of different material, or filter with passive or active acoustical means. This procedure represents a disadvantage, since it renders the user unprotected during the transition.

There is in the market an ear protective device that can be adjusted according to
25 two different frequency response operating modes. This device has the possibility to switch between two different levels of sound attenuation. However, the device requires that it be removed from the ear before changing from one operating mode to the other because of the rotating knob that rotates within a plane

substantially parallel to the axis of the entrance of the ear canal (or about an axis substantially perpendicular to a plane of the outer ear). Again, this procedure renders the user unprotected during the transition.

Accordingly, there is a need for an improved in-ear device that enables the wearer
5 to switch between different levels of attenuation protection, without compromising his auditory protection.

BRIEF SUMMARY OF THE INVENTION

In order to overcome the limitations and problems discussed above, the main objective of the present invention is to provide for an improved in-ear device that
10 enables the wearer to switch between different levels of sound protection, without compromising his auditory protection.

An advantage of the present invention is to provide an in-ear device that can be selectively adjusted for filtering a specific range or level of sound frequencies.

A further advantage of the present invention is to provide an in-ear device that will
15 allow the wearer to select the degree of attenuation or frequency range protection according to the acoustic conditions of the environment, via a rotating button, a push toggle button or the like, or even a combination thereof.

Another advantage of the invention is to provide an in-ear device that can easily be adjusted without removing the same from the wearer's ear.

20 Yet another advantage of the invention is to provide an in-ear device that can be adjusted in such a way that it helps to keep the device in the wearer's ear, by applying positive pressure thereon, and optionally with a rotational motion towards natural insertion of the device inside the wearer's ear, especially when the protrusion is pre-shaped to fit the ear canal.

25 According to an aspect of the present invention, there is provided an in-ear device for selectively adjusting the range or level of sound frequencies reaching the inner ear of a wearer's ear, therefore having a selectable frequency response, said device comprising a main body having an innermost face and an outermost face,

a canal inside the main body and extending from an inner end of the innermost face to an outer end of the outermost face of the main body and splitting into at least two derivative canals adjacent the outermost face within a generally annular zone defined thereon, each said canals being at least partially filled with a
5 respective filling material, a knob, preferably rotatably attached to the outermost face of the main body and defining a peripheral edge thereof extending beyond the inner zone so as to cover the inner zone, said knob having a channel formed within an inner surface thereof, said channel extending generally radially from the knob periphery to an inner end thereof adjacent the annular zone whereby the
10 channel being selectively in fluid communication with a respective said derivative canal upon rotation thereof.

Conveniently, the knob rotates about a knob axis generally coaxial with an axis of the annular zone.

Additionally, the knob is mounted in the main body in such a way that it can be
15 easily rotated from one of the positions to the other without compromising the filtering capabilities of the device. In general, the device of the invention has three different positions, each position representing a filtering mode for a specific range or level of sound frequencies, or type of sound. The knob can be easily rotated from one position to the other, without the need to remove the device from the ear.
20 Additionally, the knob of the invention comprises means that will indicate to the wearer the appropriate position of the knob in one of the positions.

Typically, the main body has at least three sides, a first side of said at least three sides being shaped to fit the tragus of a wearer's ear, and a second side of said at least three sides being shaped to fit an antitragus of a wearer's ear.

25 In one embodiment, the knob is a push toggle button movably mounted on the outermost face of the main body.

These and other advantages and objects will be apparent in view of the following detailed description in connection with the accompanying drawings.

BRIEF DESCRIPTION OF THE DRAWINGS

Further aspects and advantages of the present invention will become better understood with reference to the description in association with the following figures, in which similar references used in different figures denote similar components, wherein:

- 5 **Figure 1** is a perspective view of one embodiment for the main body according to the present invention;
- Figure 2** is a perspective view of another embodiment for the main body according to the present invention;
- 10 **Figure 3** is a perspective view of a device in accordance with one of the embodiments of the present invention;
- Figure 4a** is a perspective view of the embodiment of Figure 3 where the knob has been omitted to facilitate visualising the elements inside the main body;
- Figure 4b** is a front view of the embodiment of Figure 4a;
- 15 **Figure 5** is a side sectional view on the line 5-5 in Figure 3 depicting the surroundings of the knob when operating on filtering mode I;
- Figure 6a** is a perspective view of an embodiment wherein the main body has only two derivative canals;
- Figure 6b** is a front view of the embodiment of Figure 6a;
- 20 **Figure 7** is a front view of the device of Figure 1 in the final position inside the left-hand-side ear of a wearer; and
- Figure 8** is a side view similar to Figure 5 of another embodiment for the main body according to the present invention, showing a push toggle button.

DETAILED DESCRIPTION OF THE PREFERRED EMBODIMENTS

In Figures 1 and 2 there is depicted the device 1 of the invention comprising a main body 2. In general, the main body 2 can be designed and shaped so as to be safely placed in the outer ear of a specific wearer's ear. In Figures 1 and 2 are depicted two possible embodiments for the main body 2 according to the present invention. Figure 1 represents the more general shape of main body 2; Figure 2 represents an embodiment including a protrusion 20' intended to be inserted inside of a wearer's ear canal.

Referring to Figure 3, there is shown a specific embodiment of the invention comprising a main body 2 having three sides 4, 6 and 8. The sides of the main body 2 are generally equal to one another, forming a main body 2 quasi-triangular in shape. By way of example, and not a limitation, the three sides 4, 6 and 8 of the main body 2 are convex; however, they might be shaped to resemble other geometrical forms. The device 1 might have at least three sides provided that at least two of the sides are designed and shaped in a way that a first side 6 fits the tragus A of a wearer's ear, and the second side 4 fits the antitragus B of a wearer's ear (see Figure 7). The main body 2 also includes at least three tips. As shown in Figure 3, two adjacent sides are united by one of the tips 10, 12 or 14. Tips 10, 12 and 14 might have any geometrical form; preferably tips 10, 12 and 14 are rounded. As viewed in Figure 3 the main body 2 includes an outermost face 16 and an innermost face 18. The outermost face 16 might include markings representing the applicable filtering modes on the device 1. The main body 2 might have at least two filtering modes; as reference, in Figure 3 the device 1 includes the filtering modes I, II and III.

Referring to Figure 4a, it shows the canal 24 inside the main body 2. The canal 24 extends from an inner end of the innermost face 18 to an outer end of the outermost face 16. Before reaching the outer end of the outermost face 16, the canal 24 splits into at least two derivative canals adjacent to the outermost face within a generally annular zone 50 defined thereon. In general, the number of derivative canals depends on the number of filtering modes applicable on the device 1; in Figures 4a and 4b there is shown a device 1 including three filtering modes I, II and III and, consequently, three derivative canals 24', 24'' and 24'''

associated to the filtering modes I, II and III, respectively. The interior of each derivative canals 24', 24'' and 24''' is at least partially filled with a respective filtering material 25', 25'' and 25''' specially manufactured to filter a specific range or level of sound frequencies, such as a foam plug of a predetermined density for a corresponding desired frequency response; the material composition is such as to let through only a specific range or level of sound frequencies. The derivative canals 24', 24'' and 24''' might be entirely filled with the filtering materials; more preferably the derivative canals 24', 24'' and 24''' are partially filled. In general, each derivative canal 24', 24'' and 24''' is filled with a different material. The filtering capability associated to the modes I, II and III depends on the respective filling material 25', 25'' and 25'''. By way of example, and not a limitation, the filling material 25', 25'' and 25''' can be selected as to filter all the frequencies, but the frequencies of the human voice, or to filter the frequencies associated with impulse noises. The filling material 25', 25'' and 25''' can be selected from various materials such as, but not limited to, solids or porous solids (metal or plastic foams), layers of plastic or metallic meshes (Knowles electronics dampers), and properly designed filters (as custom ISL filters designed by Institut Saint-Louis from France - expansion chamber or the like), and any combination thereof. The extreme positioning of the derivative canals 24', 24'' and 24''' on the outermost face 16 is so that they are equidistant to the center of the generally annular zone 50. The annular zone 50 defines an inner zone for the rotation of the knob 22 as explained below.

The device 1 also comprises a knob 22. In Figure 3, the knob 22 is shown on the outermost face 16 of the main body 2. The knob 22 is rotatably attached to the outermost face of the main body 2 so as to easily allow a wearer to turn the knob 22 towards the desired filtering mode I, II or III. The direction of rotation of the knob 22 depends on the ear in which the device 1 is intended to be used. If the device 1 is inside the wearer's right ear, the rotation will be allowed in counterclockwise direction; conversely, if the device 1 is inside the wearer's left ear, the rotation will be allowed in clockwise direction. By limiting the rotational movement as just disclosed, the knob 22 helps to keep the device 1 in proper position inside a wearer's ear by applying positive pressure thereon, towards natural insertion of the device inside the wearer's ear, especially when the

protrusion 20' is pre-shaped to fit the ear canal. In order to switch from filtering position I towards filtering mode II, and from filtering mode II towards filtering mode III, the knob 22 could have an indexing system (not shown) based on a releasable spring, or another releasable friction device (not shown). When the

5 wearer wants to change the filtering mode, he just has to exert some pressure on the knob 22 against the body 2 and the inward movement of the knob 22 leads it to the released position; the wearer is able to rotate the knob 22 to the desired filtering mode as described above. Once the knob is in the proper position, the user stops exerting pressure on the knob 22, to allow it to return to the operational

10 position. The knob 22 rotates about a knob axis 40 generally coaxial with an axis of the annular zone 50 (or rotates within a plane substantially perpendicular to the axis of the entrance of the ear canal, or about an axis substantially parallel to a plane of the outer ear). The knob 22 defines a peripheral edge extending beyond the outer zone of the annular zone 50 so as to cover the outer zone. By way of

15 example, and not of limitation, the knob 22 of Figure 3 includes three recesses 22a, 22b and 22c; however, the recesses 22a, 22b and 22c might be replaced by a protrusion or any other geometrical form without affecting the functionality of the device 1. The device 1 might have at least two recesses. Each recess faces a

20 corresponding one of the filtering modes when the device 1 is filtering the sound according to the wearer's needs. The recess 22a might include a marking 26 intended to indicate on what filtering mode the device 1 is operating. In Figure 3 the marking 26 is shaped to resemble an arrow's tip indicating the device 1 is filtering sound according to the properties of the filtering material 25' inside canal 24'. More preferably, the marking 26 is a protrusion that will allow the wearer to

25 determine, just by sensing with the tip of his fingers, on what filtering mode the device 1 is operating. The thickness of the surroundings of the recesses 22a – the one indicating the operating filtering mode – is always smaller than the rest of the body of the knob 22, thus defining an open end 28. In Figure 5 the knob 22 is depicted in the filtering mode I, and the open end 28 at the knob periphery is

30 formed due to the differences in thickness in the surroundings of the recess 22a. In order to let the sound enter inside the open end 28 and, consequently, inside the inner ear of the wearer, there is a channel 30 between the knob 22 and the outermost face 16 of the main body 2. The channel 30 is formed within an inner surface of the knob 22, and extends generally radially from the knob periphery at

the open end 28 thereof to an inner end thereof adjacent to the annular zone 50 whereby the channel 30 is selectively in fluid communication with a respective said derivative canal upon rotation of the knob 22. The thickness or depth of the channel 30 is from about 0.5 mm to about 2 mm while the width of the channel is typically about twice the thickness. The channel 30 is in direct communication with one of the derivative canals 24', 24'' and 24''', and their respective filtering materials 25', 25'', 25''', depending on the filtering mode I, II and III selected by the wearer. In Figure 5, the channel 30 is in fluid communication with derivative canal 24'. As the sound travels from the open end 28 to the inner ear of the wearer – first through the corresponding derivative canal 24' and then through the canal 24 – it passes through the filtering material 25' wherein only a specific range or level of sound frequencies is allowed to continue. The device 1 might include appropriate means to indicate the wearer that he has reached the desired position – filtering mode. The device 1 might have an indentation associated to each recess 22a, and three correspondent counterparts in the main body 2, in the surrounding of the marks indicating the filtering modes I, II or III. When the recess 22a is about to reach the desired position, the indentation and its counterpart will make a sound indicating the proximity of the right position.

Referring to Figure 6a and 6b, there is an additional embodiment of the invention depicting the device 100 wherein one of the filtering positions is designed to substantially block all sound frequencies. The result will be a device 100 with a filtering position substantially hindering the entrance of sound into the inner ear of the wearer according to the inherent attenuation characteristics of the in-ear device 100. In this embodiment, the device 100 only has two derivative canals, 24'' and 24'''. The derivative canals 24' is omitted and its corresponding space is occupied by the material of the main body 2, creating a barrier to the entrance of the sound from open end 28 with the knob 22 in the corresponding position.

Referring now to Figure 8, there is shown another embodiment 1' in accordance with the present invention, in which the knob 22' is a push toggle button movably mounted on the outermost face 16 of the main body 2, to switch between the available filtering modes, under the positive pressure applied by an external force as represented by a wearer's finger F in stippled lines.

Although the present invention has been described with a certain degree of particularity, it is to be understood that the disclosure has been made by way of example only and that the present invention is not limited to the features of the embodiments described and illustrated herein, but includes all variations and
5 modifications within the scope of the invention as hereinafter claimed.

CLAIMS

1. An in-ear device (1,1',100) for selectively adjusting the range or level of sound frequencies reaching the inner ear of a wearer's ear, said device (1,1',100) comprising a main body (2) having an innermost face (18) and an outermost face (16), a canal (24) inside the main body (2) and extending from an inner end of the innermost face (18) to an outer end of the outermost face (16) of the main body (2) and splitting into at least two derivative canals (24',24'',24''') adjacent the outermost face (18) within a generally annular zone (50) defined thereon, each said canals (24',24'',24''') being at least partially filled with a respective filtering material (25',25'',25'''), a knob (22,22') attached to the outermost face (16) of the main body (2) and defining a peripheral edge thereof extending beyond the inner zone (50) so as to cover the inner zone (50), said knob (22,22') having a channel (30) formed within an inner surface thereof, said channel (30) extending generally radially from the knob periphery to an inner end thereof adjacent the annular zone (50) whereby the channel (30) being selectively in fluid communication with a respective said derivative canal (24',24'',24''') upon rotation thereof.
2. An in-ear device (1,100) according to Claim 1 wherein the knob (22) is rotatably attached to the outermost face (16) for rotation about a knob axis (40) generally coaxial with an axis of the annular zone (50).
3. An in-ear device (1,100) according to Claim 2 wherein the knob (22) is rotatable about a knob axis (40) generally coaxial with an axis of the annular zone (50).

4. An in-ear device (1,100) according to Claim 3 wherein the knob (22) is rotatable about said axis (40) between filtering positions (I,II,III) corresponding to the derivative canals (24',24'',24''').
- 5 5. An in-ear device (1,100) according to Claim 4 wherein the knob (22) is mounted in the main body (2) in such a way that in use it is adapted for rotation from one of said positions (I,II,III) to another without compromising the filtering capabilities of the device (1,100).
- 10 6. An in-ear device (1,100) according to Claim 5 wherein the device (1,100) has at least two different filtering positions (I,II,III), each position (I,II,III) representing a filtering mode for a specific range or level of sound frequencies or type of sound.
- 15 7. An in-ear device (1,100) according to Claim 6 wherein the device (1,100) has three filtering positions (I,II,II).
8. An in-ear device (1,100) according to Claim 4 wherein the knob (22) is adapted for rotation from one filtering position (I,II,II) to the other, without the need
20 in use to remove the device (1,100) from the ear.
9. An in-ear device (1,100) according to Claim 4 wherein the knob (22) is indexable into the filtering positions (I,II,III) corresponding to the derivative canals (24',24'',24''').

10. An in-ear device (1,100) according to Claim 4 wherein the knob (22) comprises means (22a,22b,22c) that indicate to the wearer the appropriate position of the knob (22) in one of the filtering positions (I,II,III).
- 5 11. An in-ear device (1,100) according to Claim 4 wherein the rotational direction of the knob (22) for the purpose of changing the filtering position (I,II,III) is predetermined by the ear in which the device (1,100) is to be placed.
- 10 12. An in-ear device (1,100) according to Claim 11 wherein the said predetermined direction of rotation assists in ensuring continuing effective disposition of the device (1,100) in the relevant ear of the wearer.
- 15 13. An in-ear device (1,100) according to Claim 1 wherein the main body (2) has at least three sides (4,6,8), a first side (6) of said at least three sides being shaped for fitting the tragus (A) of a wearer's ear and a second side (4) of said at least three sides being shaped for fitting an antitragus (B) of a wearer's ear.
- 20 14. An in-ear device (1,100) according to Claim 13 wherein means (22a,22b,22c) are provided on the main body (2) to indicate the position of the derivative canals (24',24'',24''').
- 25 15. An an-ear device (100) according to Claim 2 wherein the main body (2) is so adapted as to provide a blanked-off derivative canal (24') whereby upon selection by rotation of the knob (22) in use the transmission of substantially all sound frequencies to the wearer's ear is hindered by inherent attenuation characteristics of the in-ear device (100).

16. An in-ear device (1,100) according to Claim 2 wherein the main body (2) is provided with a protrusion (20') adapted for insertion into the ear canal of a wearer.
- 5 17. An in-ear device (1,100) according to Claim 16 wherein the protrusion (20') is pre-shaped for fitting insertion into the ear canal of a wearer.
18. An in-ear device (1') according to Claim 1 wherein the knob (22') is a push toggle button movably mounted on the outermost face (16) of the main body (2).

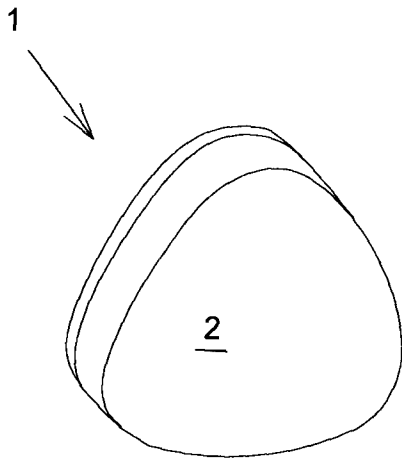


FIG. 1

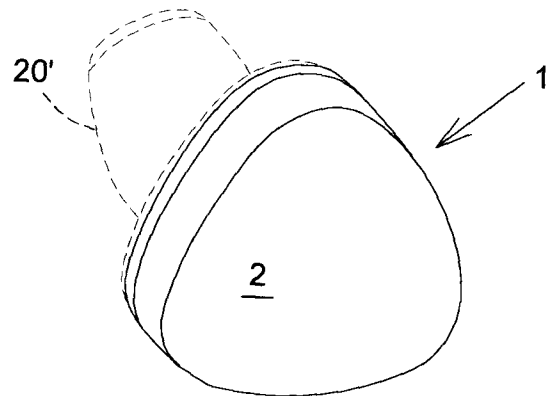


FIG. 2

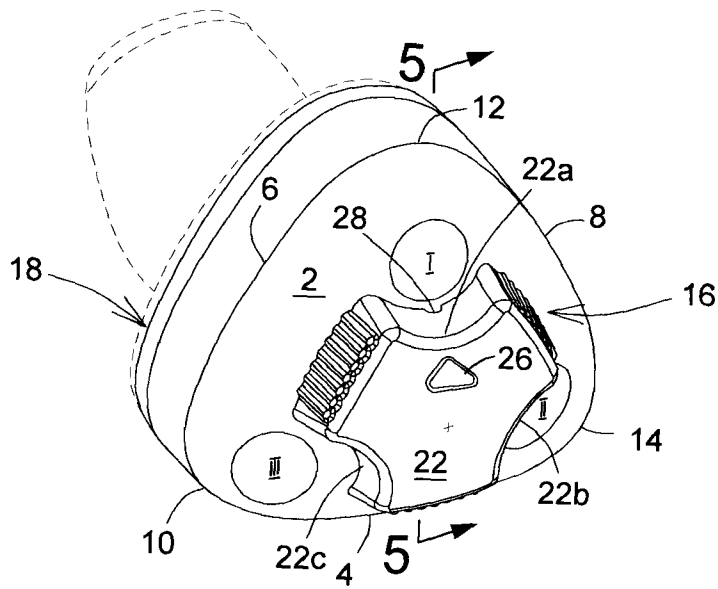


FIG. 3

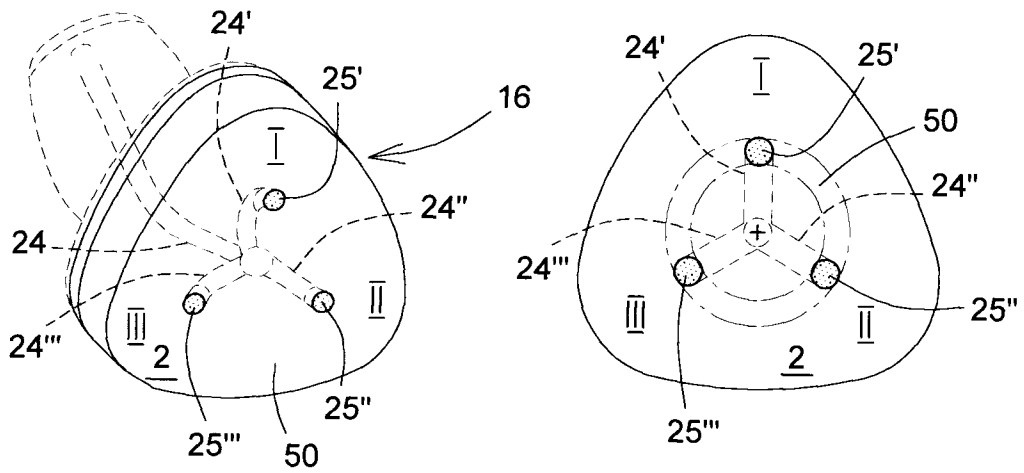


FIG.4a

FIG.4b

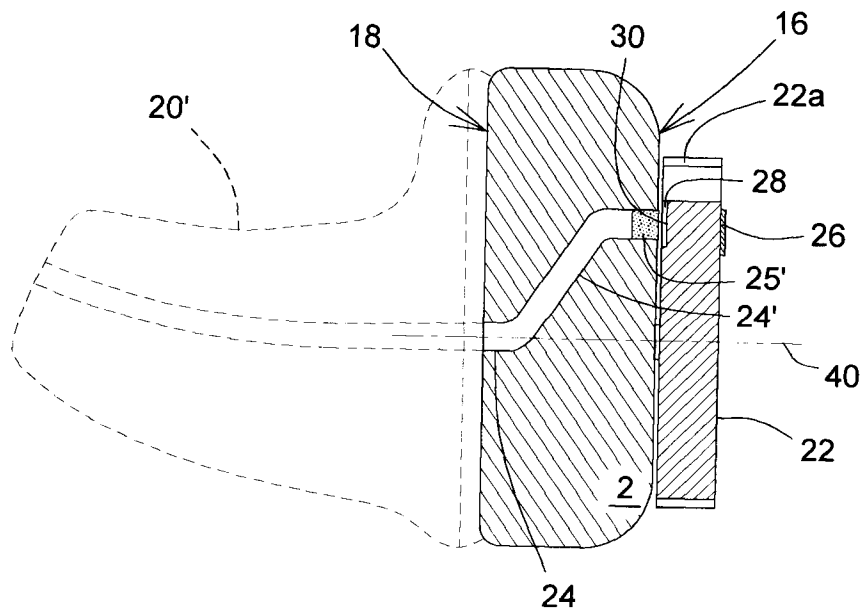


FIG.5

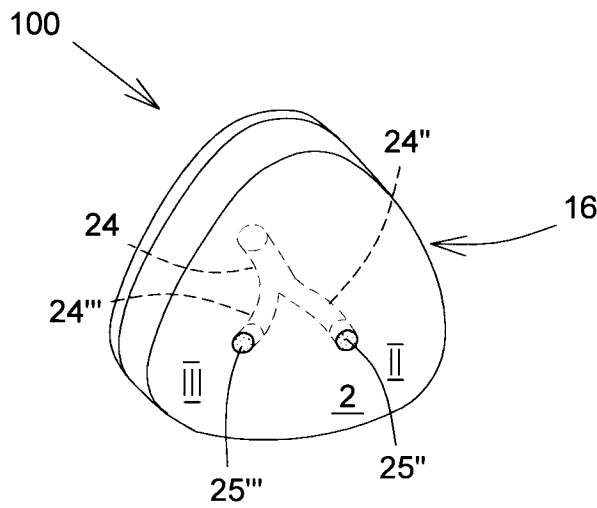


FIG. 6a

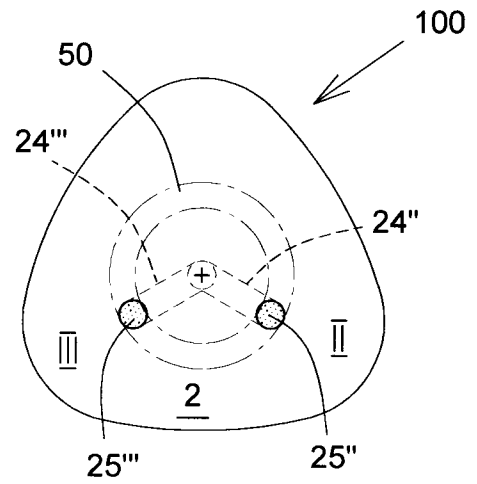


FIG. 6b

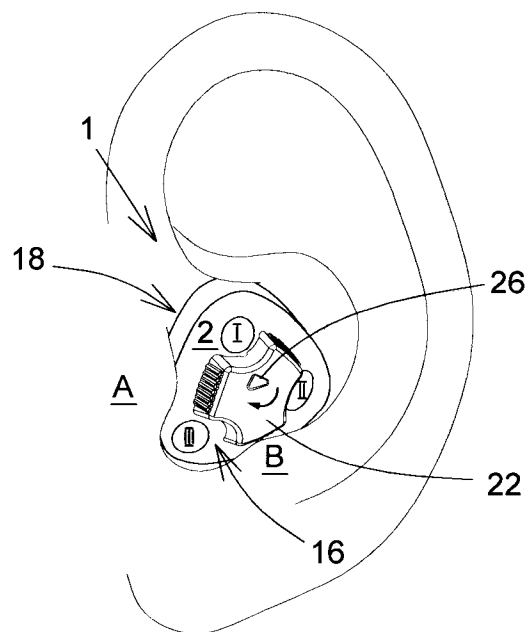


FIG. 7

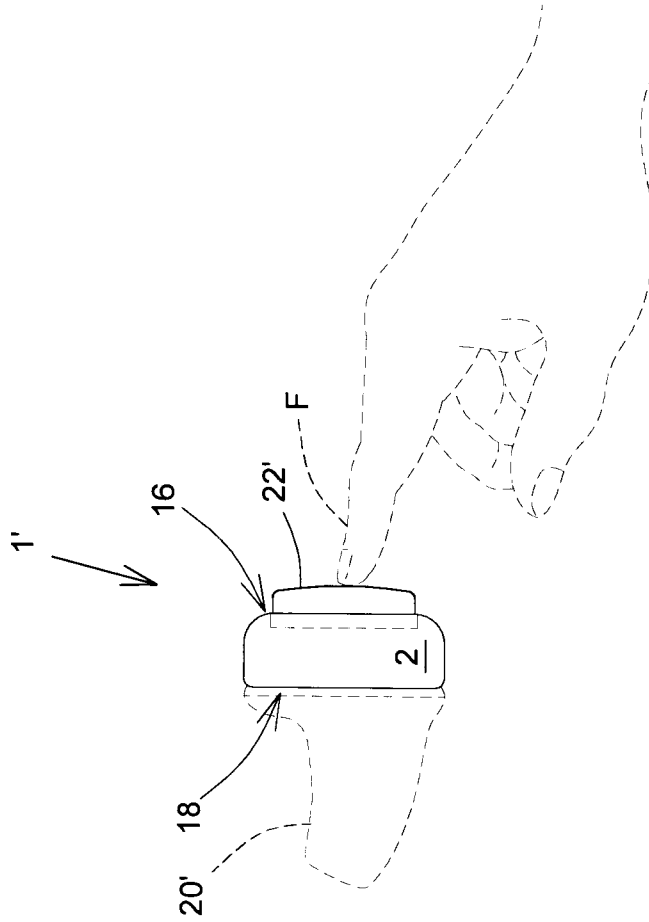


FIG.8

INTERNATIONAL SEARCH REPORT

International application No.
PCT/CA2010/002044

A. CLASSIFICATION OF SUBJECT MATTER
 IPC: **A61F 11/08** (2006.01) , **H04R 25/02** (2006.01)
 According to International Patent Classification (IPC) or to both national classification and IPC

B. FIELDS SEARCHED

Minimum documentation searched (classification system followed by classification symbols)
 IPC8: A61F11/08, A61F11, H04R25/02

Documentation searched other than minimum documentation to the extent that such documents are included in the fields searched

Electronic database(s) consulted during the international search (name of database(s) and, where practicable, search terms used)
 Epoque (Epodoc): filter+, select+, knob, dial, frequency, response

C. DOCUMENTS CONSIDERED TO BE RELEVANT

Category*	Citation of document, with indication, where appropriate, of the relevant passages	Relevant to claim No.
Y	US1276498 A (GORMAN, A) 01 June 1972 (01-06-1972) *Page 2, lines 3-54; page 2, lines 88-95; page 2, lines 104-108; page 2, lines 120-123; Figures 1 & 5.*	1-6, 8-10, 13-17
Y	US5832094 A (LE HER, F) 03 November 1998 (03-11-1998) *Col. 1, line 64 - col. 2, line 36; col. 3, lines 10-43; Fig. 5*	1-6, 8-10, 13-17
A	EP1498092 A1 (POISSENOT, R) 19 January 2005 (19-01-2005) *Whole document*	1

Further documents are listed in the continuation of Box C. See patent family annex.

* Special categories of cited documents :	"T" later document published after the international filing date or priority date and not in conflict with the application but cited to understand the principle or theory underlying the invention
"A" document defining the general state of the art which is not considered to be of particular relevance	"X" document of particular relevance; the claimed invention cannot be considered novel or cannot be considered to involve an inventive step when the document is taken alone
"E" earlier application or patent but published on or after the international filing date	"Y" document of particular relevance; the claimed invention cannot be considered to involve an inventive step when the document is combined with one or more other such documents, such combination being obvious to a person skilled in the art
"L" document which may throw doubts on priority claim(s) or which is cited to establish the publication date of another citation or other special reason (as specified)	"&" document member of the same patent family
"O" document referring to an oral disclosure, use, exhibition or other means	
"P" document published prior to the international filing date but later than the priority date claimed	

Date of the actual completion of the international search 20 April 2011 (20-04-2011)	Date of mailing of the international search report 9 May 2011 (09-05-2011)
---	---

Name and mailing address of the ISA/CA Canadian Intellectual Property Office Place du Portage I, C114 - 1st Floor, Box PCT 50 Victoria Street Gatineau, Quebec K1A 0C9 Facsimile No.: 001-819-953-2476	Authorized officer Robilyn Vanos (819) 934-4260
---	---

INTERNATIONAL SEARCH REPORT
Information on patent family members

International application No.
PCT/CA2010/002044

Patent Document Cited in Search Report	Publication Date	Patent Family Member(s)	Publication Date
US1276498A	01 June 1972 (01-06-1972)	None	
US5832094A	03 November 1998 (03-11-1998)	AT113192T AU653328B2 AU7188891A CA2066441A1 DE69104737D1 DE69104737T2 DK0440572T3 EP0440572A1 EP0440572B1 ES2066403T3 FR2657716A1 FR2657716B1 JP4504795T KR100197748B1 WO9111160A1	15 November 1994 (15-11-1994) 29 September 1994 (29-09-1994) 21 August 1991 (21-08-1991) 02 August 1991 (02-08-1991) 01 December 1994 (01-12-1994) 24 May 1995 (24-05-1995) 03 April 1995 (03-04-1995) 07 August 1991 (07-08-1991) 26 October 1994 (26-10-1994) 01 March 1995 (01-03-1995) 02 August 1991 (02-08-1991) 13 July 1995 (13-07-1995) 20 August 1992 (20-08-1992) 15 June 1999 (15-06-1999) 08 August 1991 (08-08-1991)
EP1498092A1	19 January 2005 (19-01-2005)	None	