



US00D673622S

(12) **United States Design Patent**  
**Wudtke**

(10) **Patent No.:** **US D673,622 S**

(45) **Date of Patent:** **\*\* Jan. 1, 2013**

(54) **GAMING MACHINE TOP DISPLAY**

(75) Inventor: **Karl Wudtke**, Las Vegas, NV (US)

(73) Assignee: **Bally Gaming, Inc.**, Las Vegas, NV (US)

(\*\*) Term: **14 Years**

(21) Appl. No.: **29/400,165**

(22) Filed: **Aug. 24, 2011**

(51) **LOC (9) Cl.** ..... **21-01**

(52) **U.S. Cl.** ..... **D21/385; D21/369**

(58) **Field of Classification Search** ..... D21/324-329,  
D21/369-370, 385; 463/17, 20, 46-47

See application file for complete search history.

(56) **References Cited**

**U.S. PATENT DOCUMENTS**

D346,830	S	*	5/1994	Masujima et al.	.....	D20/41
D383,802	S	*	9/1997	Levy	.....	D21/385
5,813,914	A	*	9/1998	McKay et al.	.....	463/46
D450,096	S	*	11/2001	Legras et al.	.....	D21/385

D513,523	S	*	1/2006	Crouch	.....	D21/370
D513,627	S	*	1/2006	Martin	.....	D21/369
D515,145	S	*	2/2006	Martin	.....	D21/369
D527,770	S	*	9/2006	Martin	.....	D21/385
7,452,280	B2	*	11/2008	Kopera et al.	.....	463/46
D599,859	S	*	9/2009	Lesley et al.	.....	D21/370
D629,466	S	*	12/2010	Bruzzese et al.	.....	D21/385

\* cited by examiner

*Primary Examiner* — Sandra Morris

(74) *Attorney, Agent, or Firm* — Marvin A. Hein

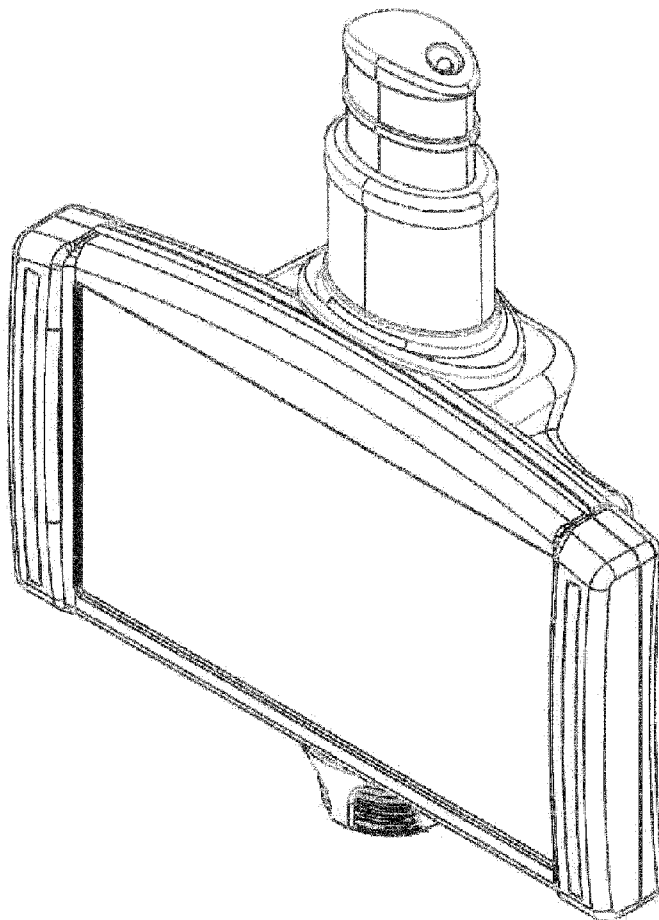
(57) **CLAIM**

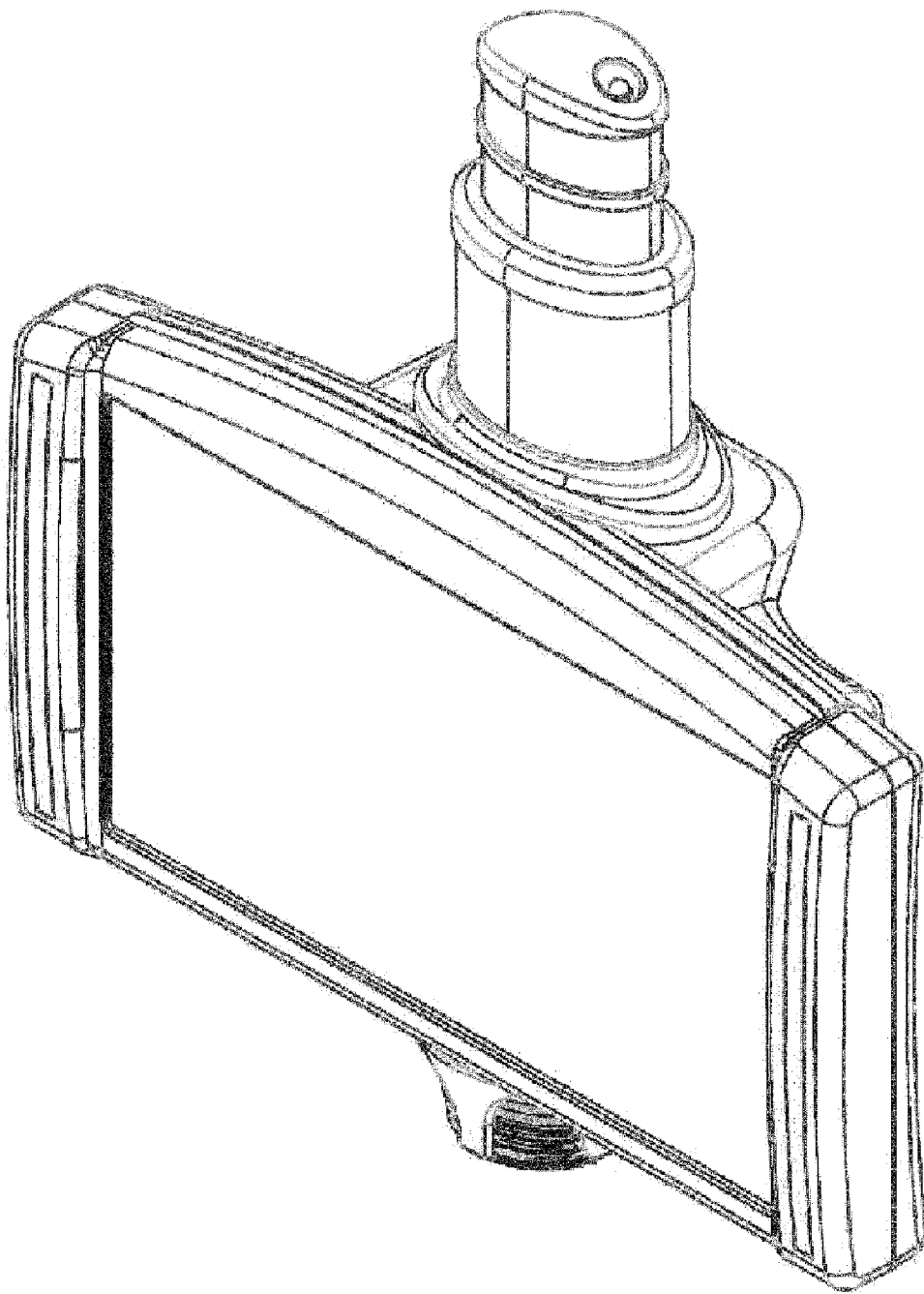
The ornamental design for a gaming machine top display, as shown and described

**DESCRIPTION**

FIG. 1 is a perspective view of a gaming machine top display, showing my new design;  
FIG. 2 is a top view thereof;  
FIG. 3 is a front elevational view thereof;  
FIG. 4 is a right side elevational view thereof; and,  
FIG. 5 is a rear elevational view thereof.

**1 Claim, 5 Drawing Sheets**





*FIG. 1*

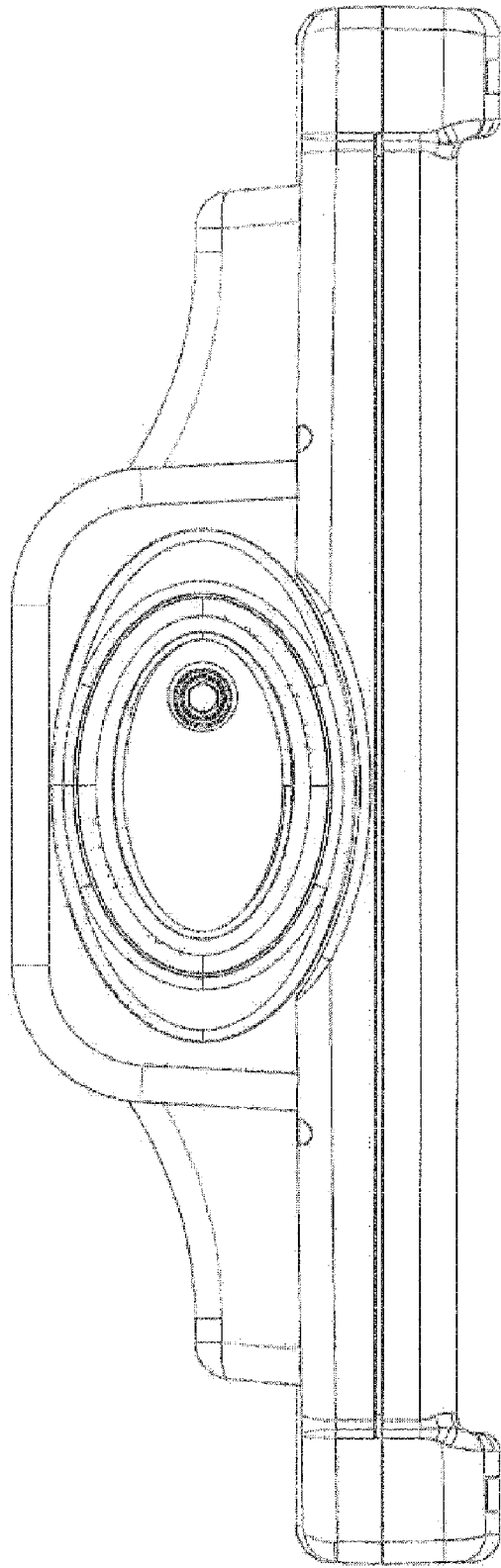
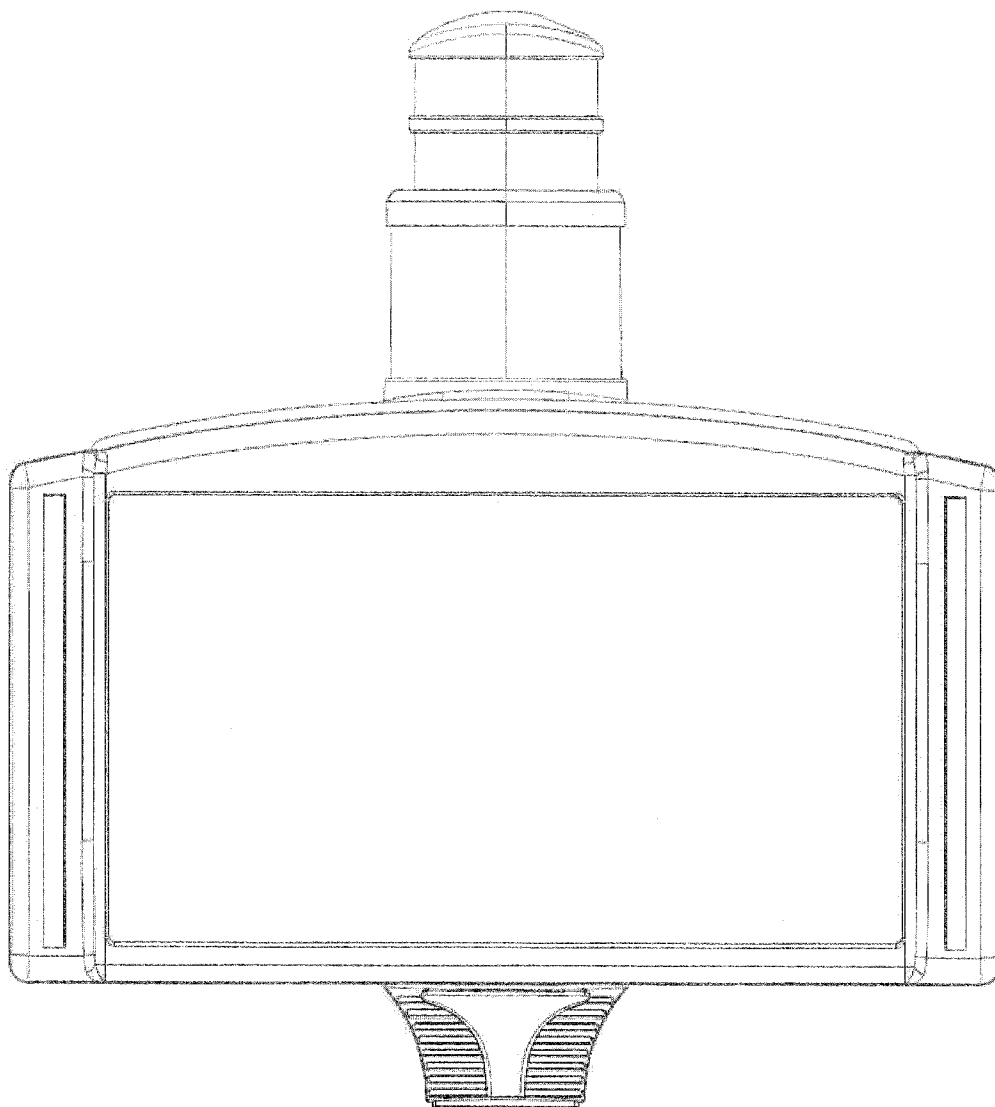


FIG. 2



*FIG. 3*

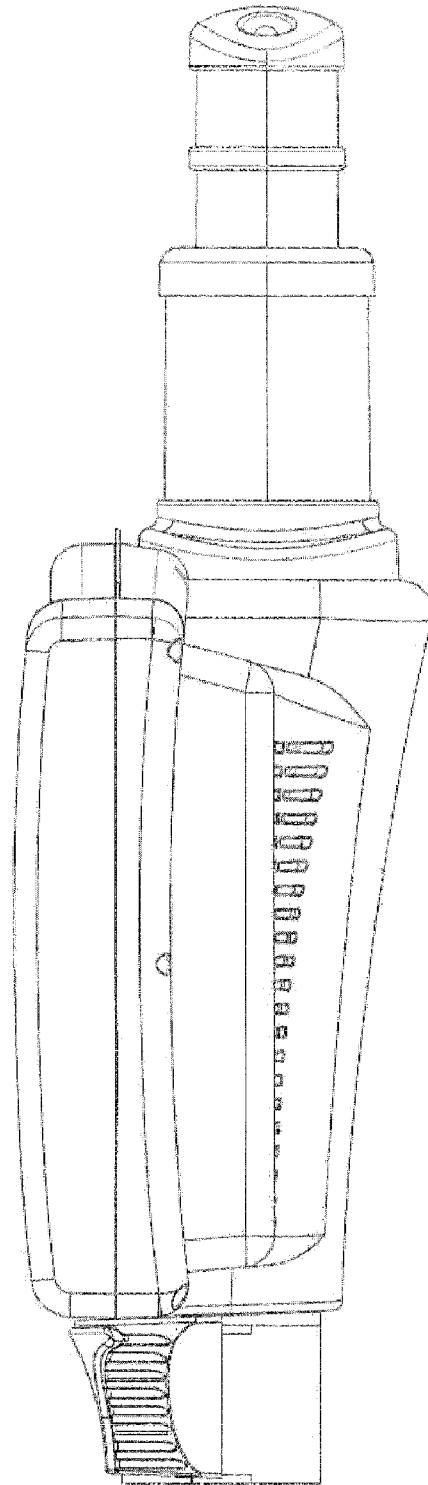
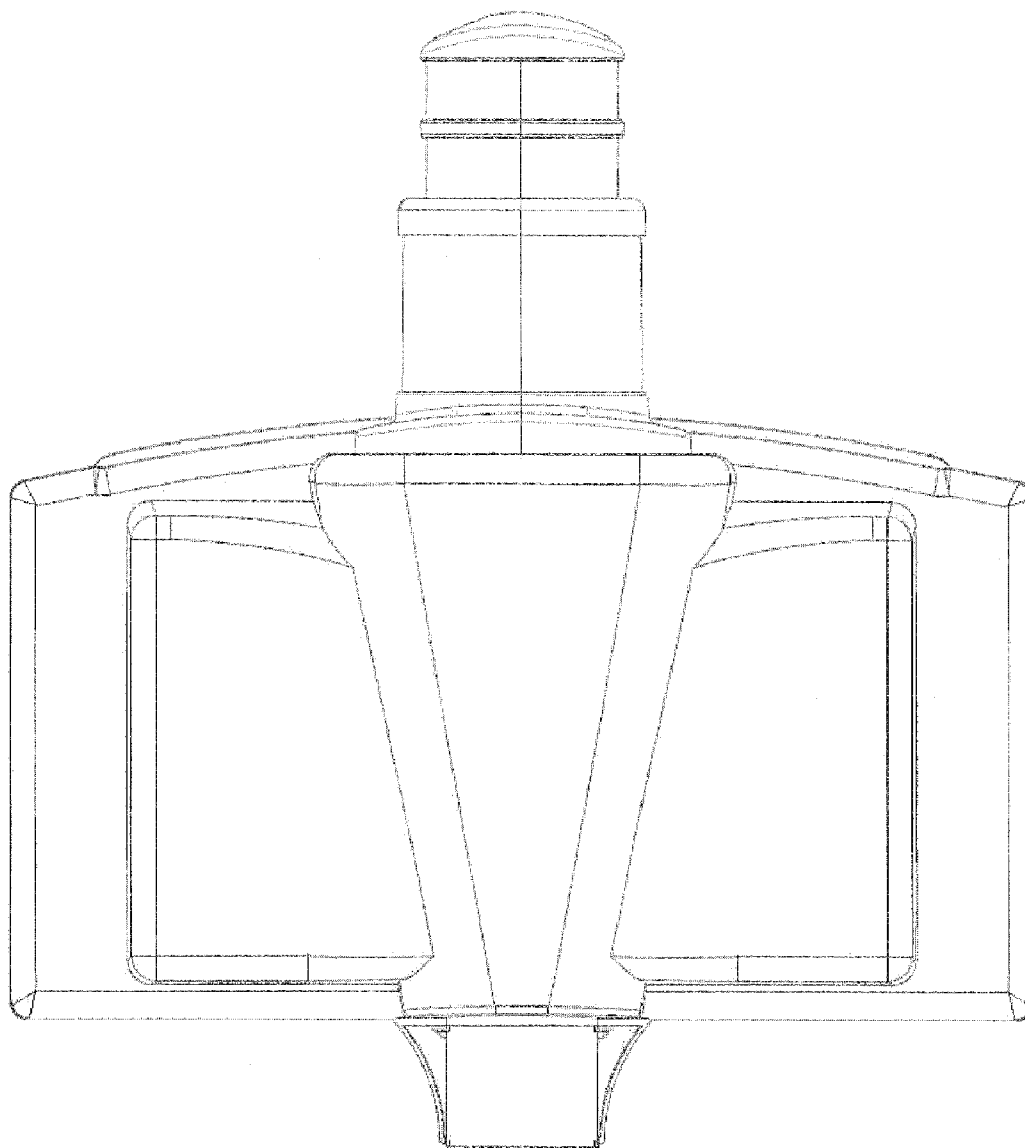


FIG. 4



*FIG. 5*