



US00D802240S

(12) **United States Design Patent**  
**Hooper**

(10) **Patent No.:** **US D802,240 S**

(45) **Date of Patent:** **\*\* Nov. 7, 2017**

- (54) **REFUSE CAN STABILIZER**
- (71) Applicant: **Robert W. Hooper**, Wanchese, NC (US)
- (72) Inventor: **Robert W. Hooper**, Wanchese, NC (US)
- (\*\*) Term: **15 Years**
- (21) Appl. No.: **29/536,187**
- (22) Filed: **Aug. 14, 2015**
- (51) **LOC (10) Cl.** ..... **09-09**
- (52) **U.S. Cl.**  
USPC ..... **D34/10**
- (58) **Field of Classification Search**  
USPC ..... D34/6, 10; 215/393, 395; 220/605, 730;  
248/500, 154, 907, 146, 188.1, 156;  
D6/708  
CPC ..... B65F 1/141; Y10S 248/907  
See application file for complete search history.

- D508,595 S \* 8/2005 Reiter ..... D34/6
- D540,997 S \* 4/2007 Richards ..... D34/10
- D575,919 S \* 8/2008 Siegel ..... D34/10
- 2010/0044387 A1\* 2/2010 Howard ..... B65F 1/141  
220/730

\* cited by examiner

*Primary Examiner* — Thomas Johannes

*Assistant Examiner* — Gino Colan

(74) *Attorney, Agent, or Firm* — Robert C. Montgomery;  
Montgomery Patent & Design, LP.

(57) **CLAIM**

The ornamental design for a refuse can stabilizer, as shown and described.

**DESCRIPTION**

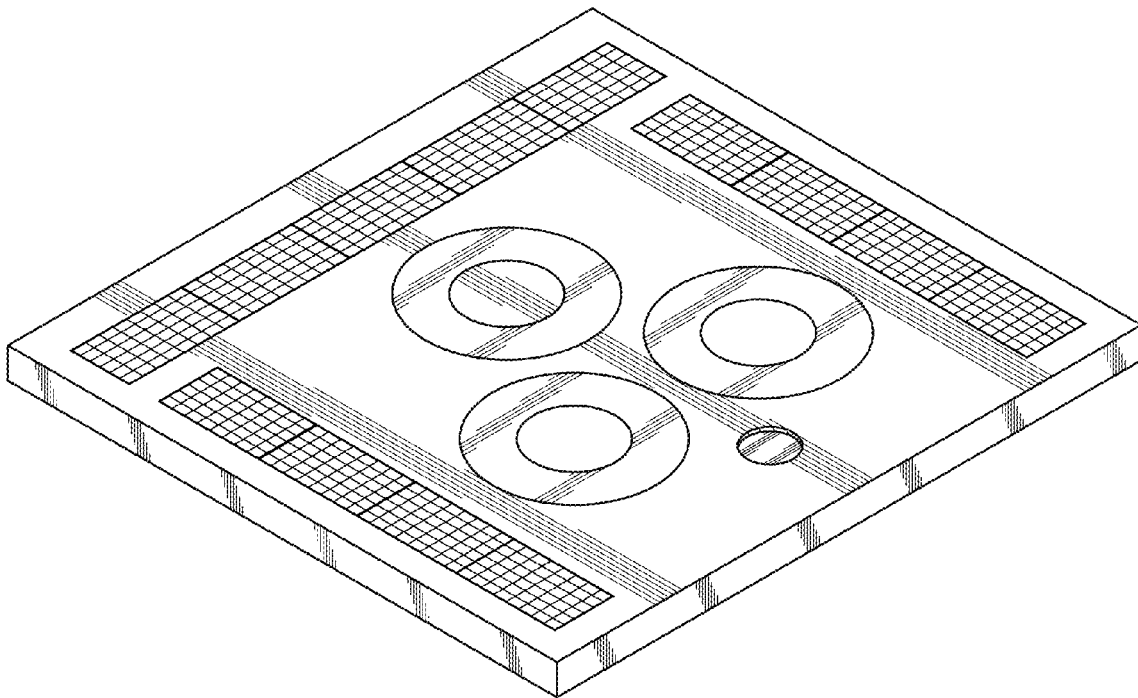
FIG. 1 is a perspective view of a refuse can stabilizer, showing my new design; FIG. 2 is a front elevational view thereof, the rear elevational view being a mirror image of FIG. 2; FIG. 3 is a left side elevational view thereof, the right side elevational view being a mirror image of FIG. 3; FIG. 4 is a top plan view thereof; and, FIG. 5 is a bottom plan view thereof.

**1 Claim, 5 Drawing Sheets**

(56) **References Cited**

**U.S. PATENT DOCUMENTS**

- 1,739,588 A \* 12/1929 Greene ..... B65F 1/141  
248/146
- 1,837,411 A \* 12/1931 Cutter ..... B65F 1/141  
248/146



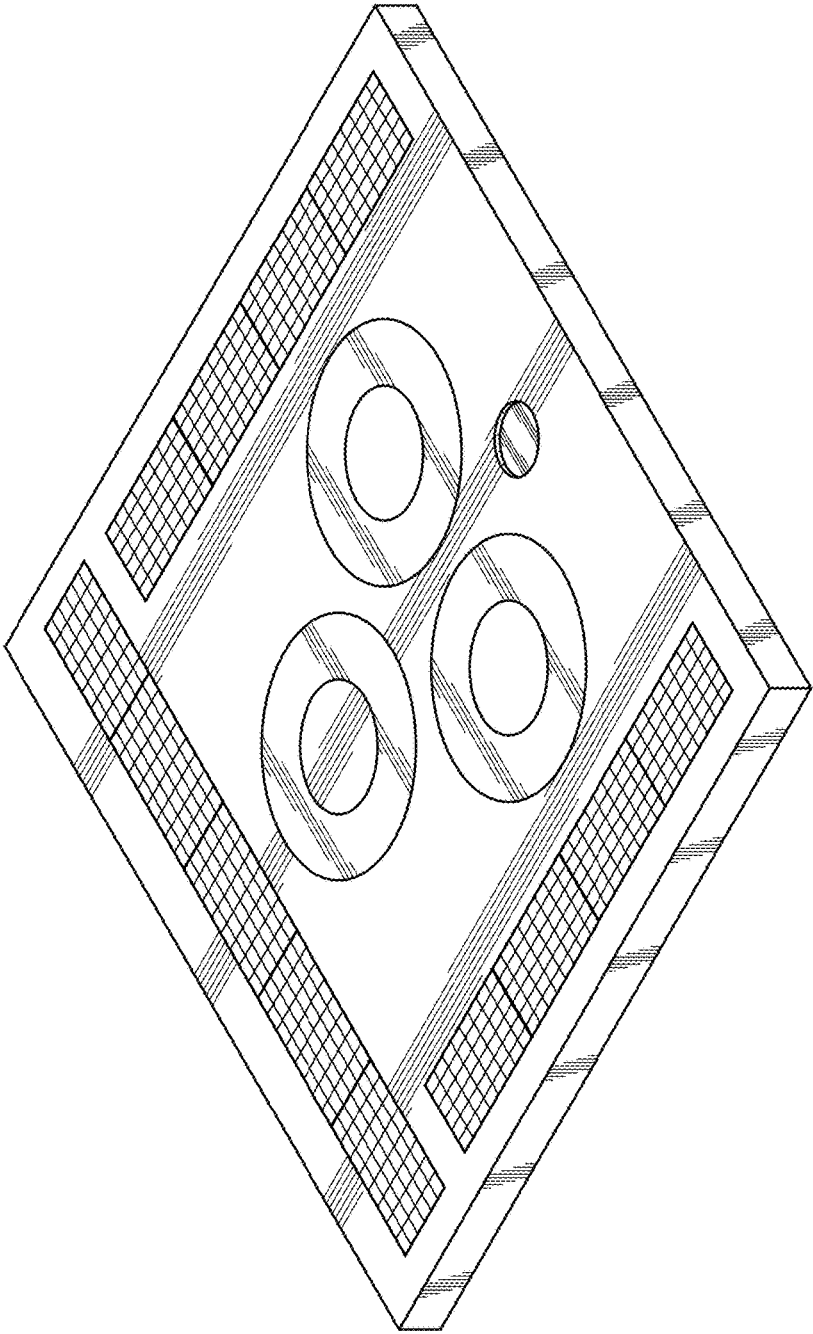


FIG. 1



FIG. 2



FIG. 3

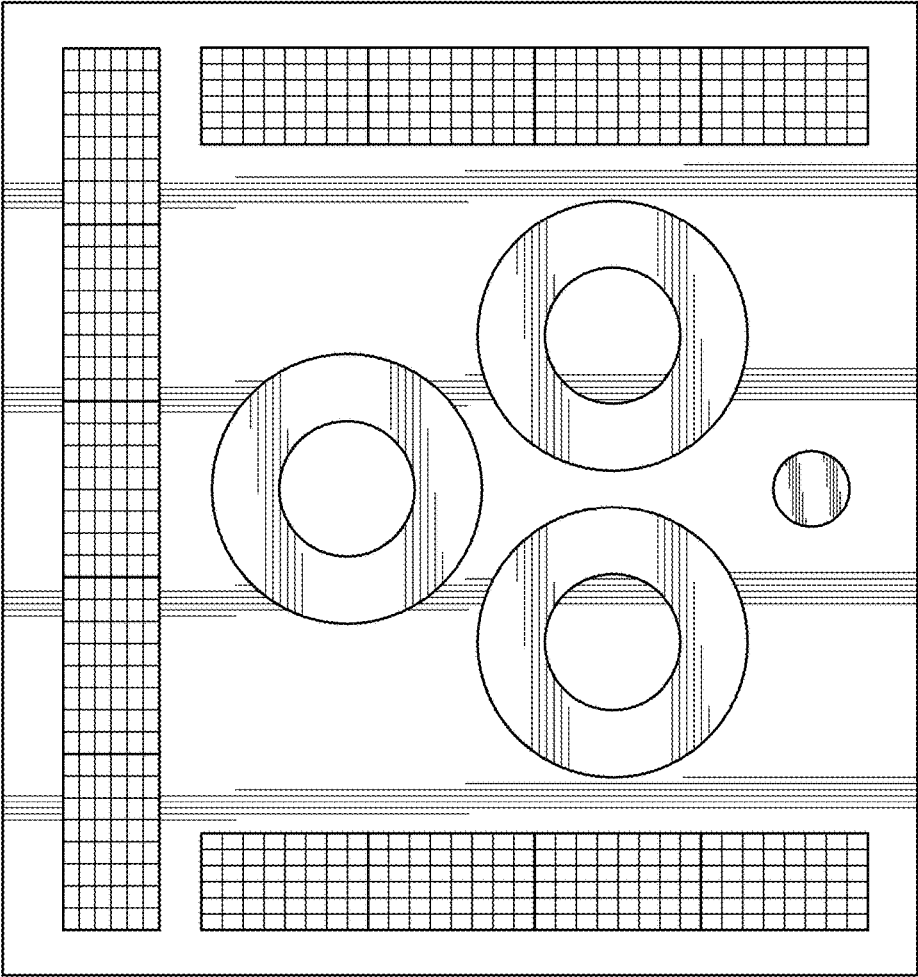


FIG. 4

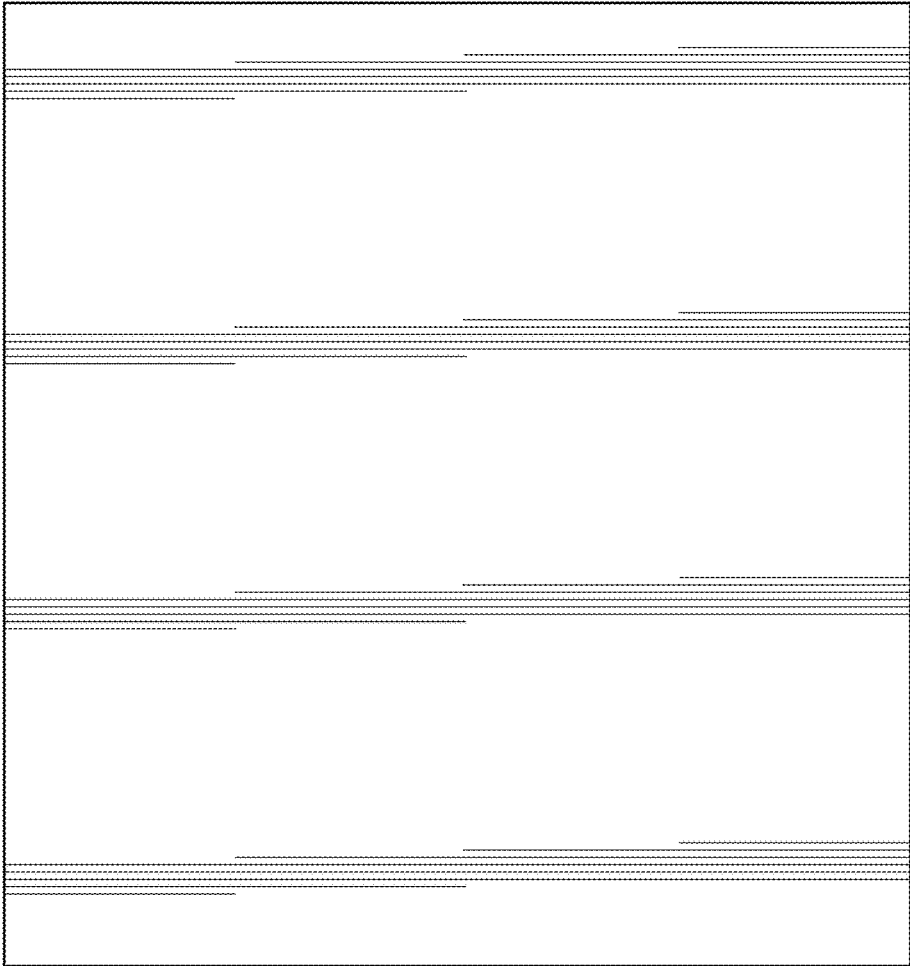


FIG. 5