



US00D805487S

(12) **United States Design Patent**  
**Kim et al.**

(10) **Patent No.:** **US D805,487 S**

(45) **Date of Patent:** **\*\* Dec. 19, 2017**

(54) **TELEVISION RECEIVER**

**FOREIGN PATENT DOCUMENTS**

(71) Applicant: **SAMSUNG ELECTRONICS CO., LTD.**, Suwon-si (KR)

EM	000594585-0001	10/2006
EM	002371955-0004	2/2014
KR	30-2014-0000759	9/2014

(72) Inventors: **Jang-Ho Kim**, Seoul (KR); **Chul-Yong Cho**, Seoul (KR); **Sang-Yong Park**, Bucheon-si (KR); **Ki-Hong Kim**, Goyang-si (KR)

*Primary Examiner* — Randall Gholson  
(74) *Attorney, Agent, or Firm* — NSIP Law

(73) Assignee: **Samsung Electronics Co., Ltd.**, Suwon-si (KR)

(57) **CLAIM**

We claim the ornamental design for a television receiver, as shown and described.

(\*\*) Term: **15 Years**

**DESCRIPTION**

(21) Appl. No.: **29/568,391**

(22) Filed: **Jun. 17, 2016**

(30) **Foreign Application Priority Data**

Dec. 24, 2015 (KR) ..... 30-2015-0066201

(51) **LOC (10) Cl.** ..... **14-03**

(52) **U.S. Cl.**  
USPC ..... **D14/126**

(58) **Field of Classification Search**

USPC ..... D14/125-134, 239, 371, 136, 374-377, D14/440, 450, 448, 336, 342, 159; 312/7.2; 348/836, 838, 180, 184, 325, 348/739; 248/917-924, 465; 345/104, 345/133, 156, 168, 87, 173; D21/329, D21/515, 577, 622, 333, 433, 448, 452, D21/450, 331, 505; D10/15, 26;  
(Continued)

(56) **References Cited**

**U.S. PATENT DOCUMENTS**

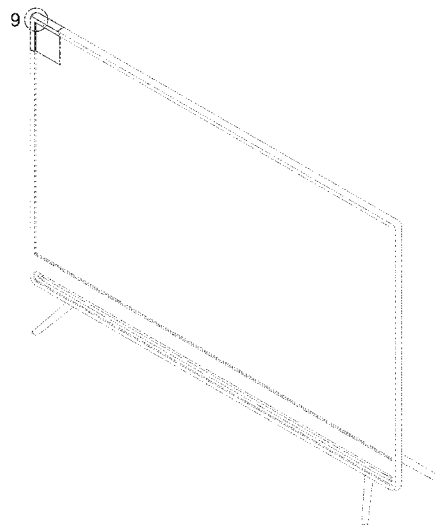
D555,122 S	11/2007	Solomon et al.	
D722,988 S *	2/2015	Kim	D14/126
D729,755 S	5/2015	McManigal et al.	

(Continued)

FIG. 1 is a front perspective view of a television receiver showing our new design;  
 FIG. 2 is a front view thereof;  
 FIG. 3 is a rear view thereof;  
 FIG. 4 is a left-side view thereof;  
 FIG. 5 is a right-side view thereof;  
 FIG. 6 is a top view thereof;  
 FIG. 7 is a bottom view thereof;  
 FIG. 8 is a rear perspective view thereof;  
 FIG. 9 is an enlarged view of the encircled portion in FIG. 1;  
 FIG. 10 is an enlarged view of the encircled portion in FIG. 2;  
 FIG. 11 is an enlarged view of the encircled portion in FIG. 3; and,  
 FIG. 12 is a cross-sectional view taken through line 12-12 of FIG. 2.

The broken lines in the figures depict environmental subject matter and form no part of the claimed design.  
 The dot-dash broken lines in the figures represent the boundaries of the design and form no part of the claimed design.  
 The dot-dot-dash broken lines encircling portions of the claimed design that are illustrated in enlargements form no part of the claimed design.

**1 Claim, 10 Drawing Sheets**



(58) **Field of Classification Search**

USPC ..... 446/484, 175, 356; D6/477, 479, 300;  
D20/10, 19, 39  
CPC ... G06F 1/1601; G06F 1/1643; H05K 5/0004;  
H05K 5/0017; H05K 5/02; H05K 5/0217;  
H04N 13/0459

See application file for complete search history.

(56) **References Cited**

U.S. PATENT DOCUMENTS

D756,337 S *	5/2016	Santiago .....	D14/126
D756,945 S *	5/2016	Kim .....	D14/126
D758,980 S *	6/2016	Kim .....	D14/126
D758,982 S *	6/2016	Moon .....	D14/126

\* cited by examiner

FIG. 1

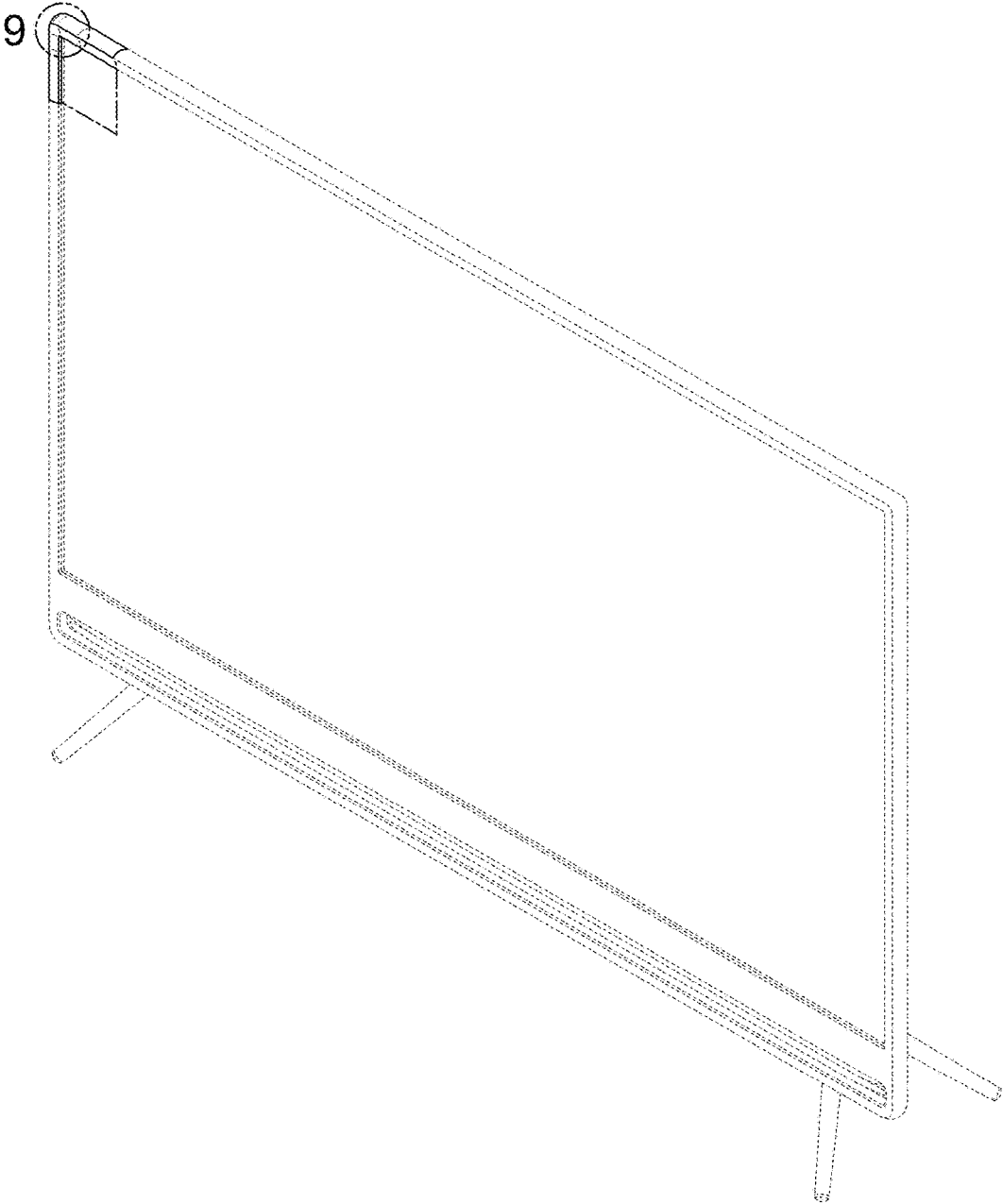


FIG. 2

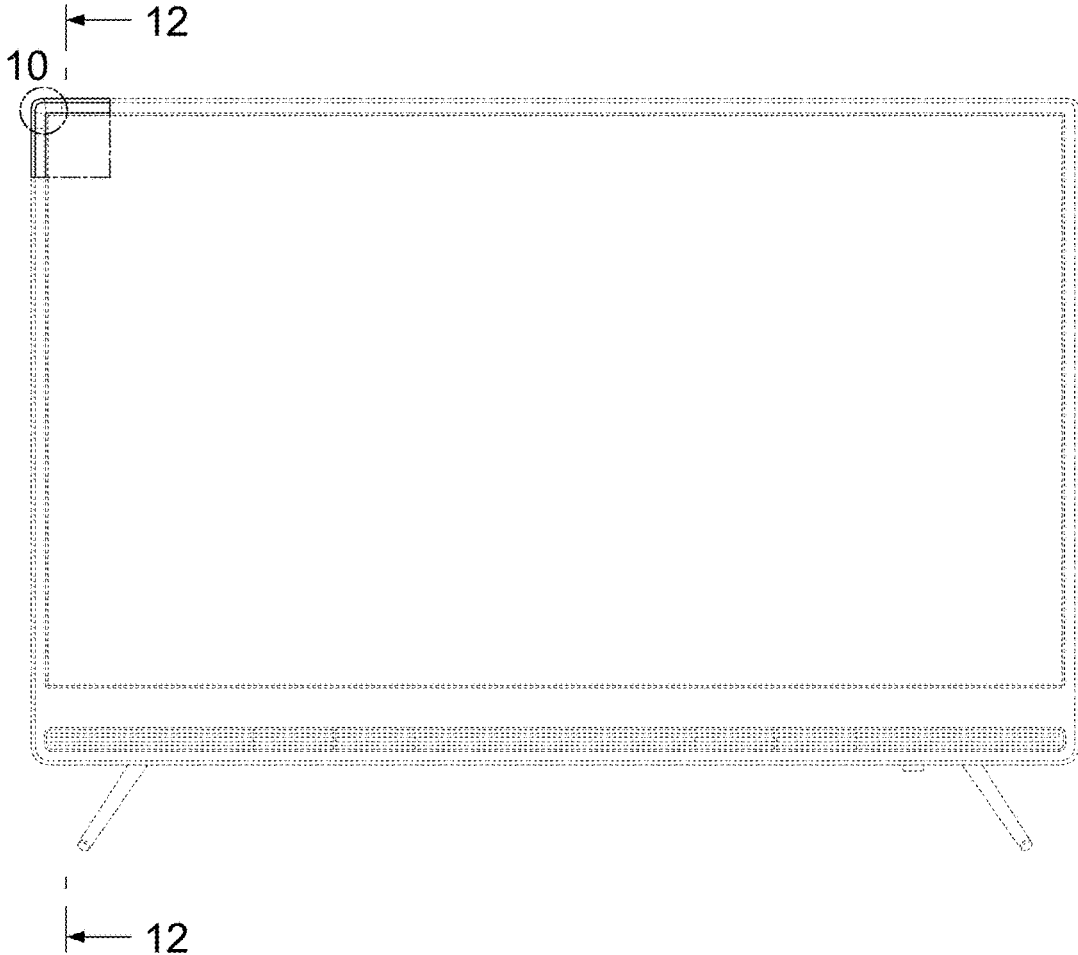


FIG. 3

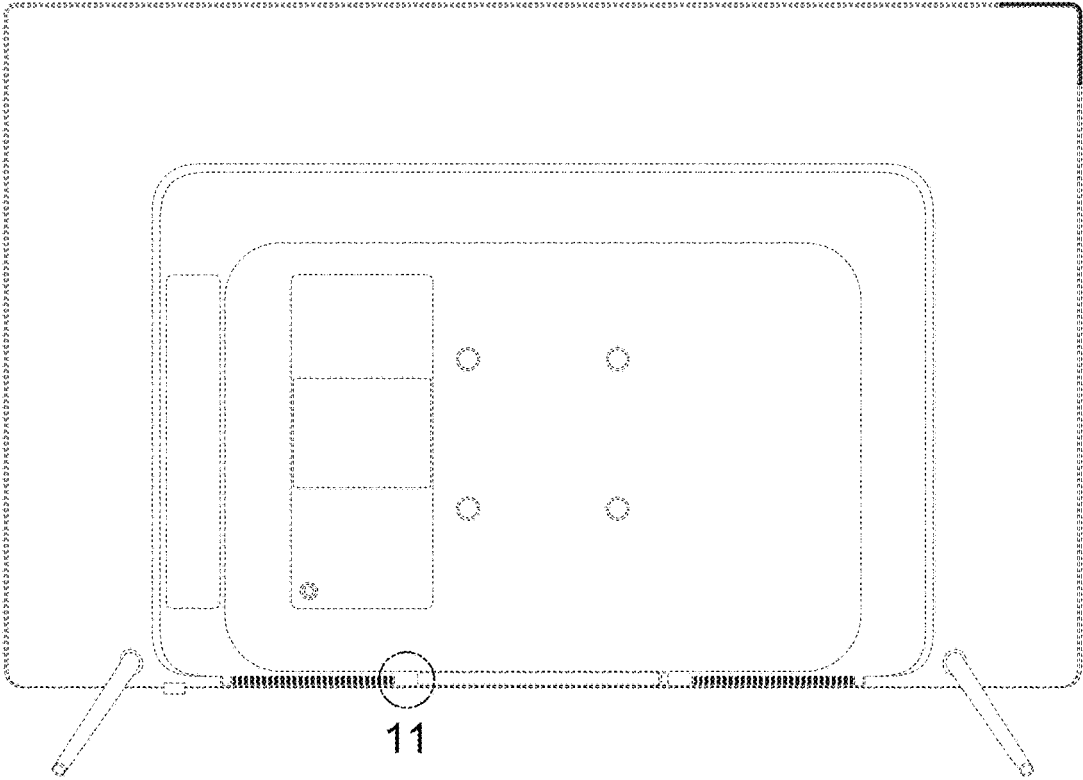


FIG. 4

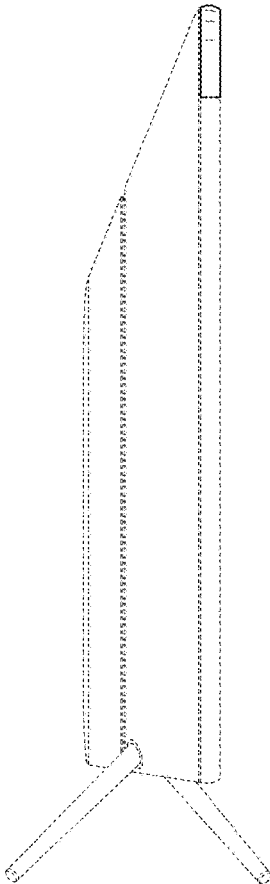


FIG. 5

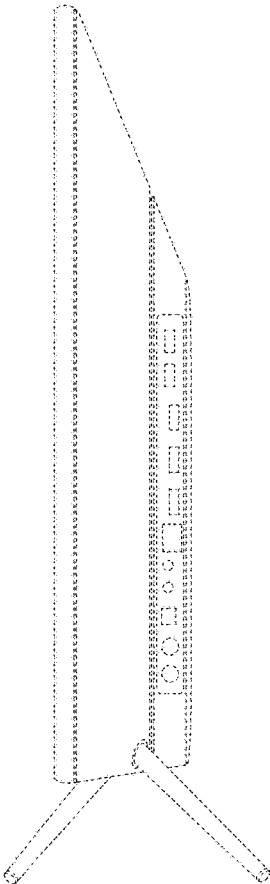


FIG. 6

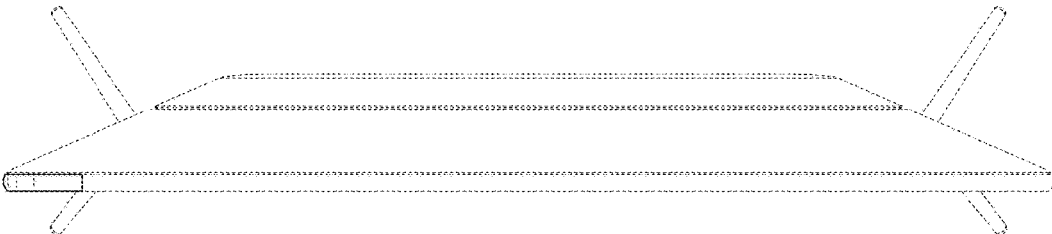


FIG. 7

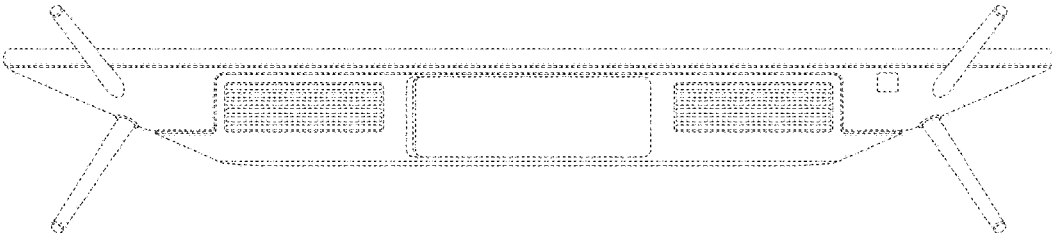


FIG. 8

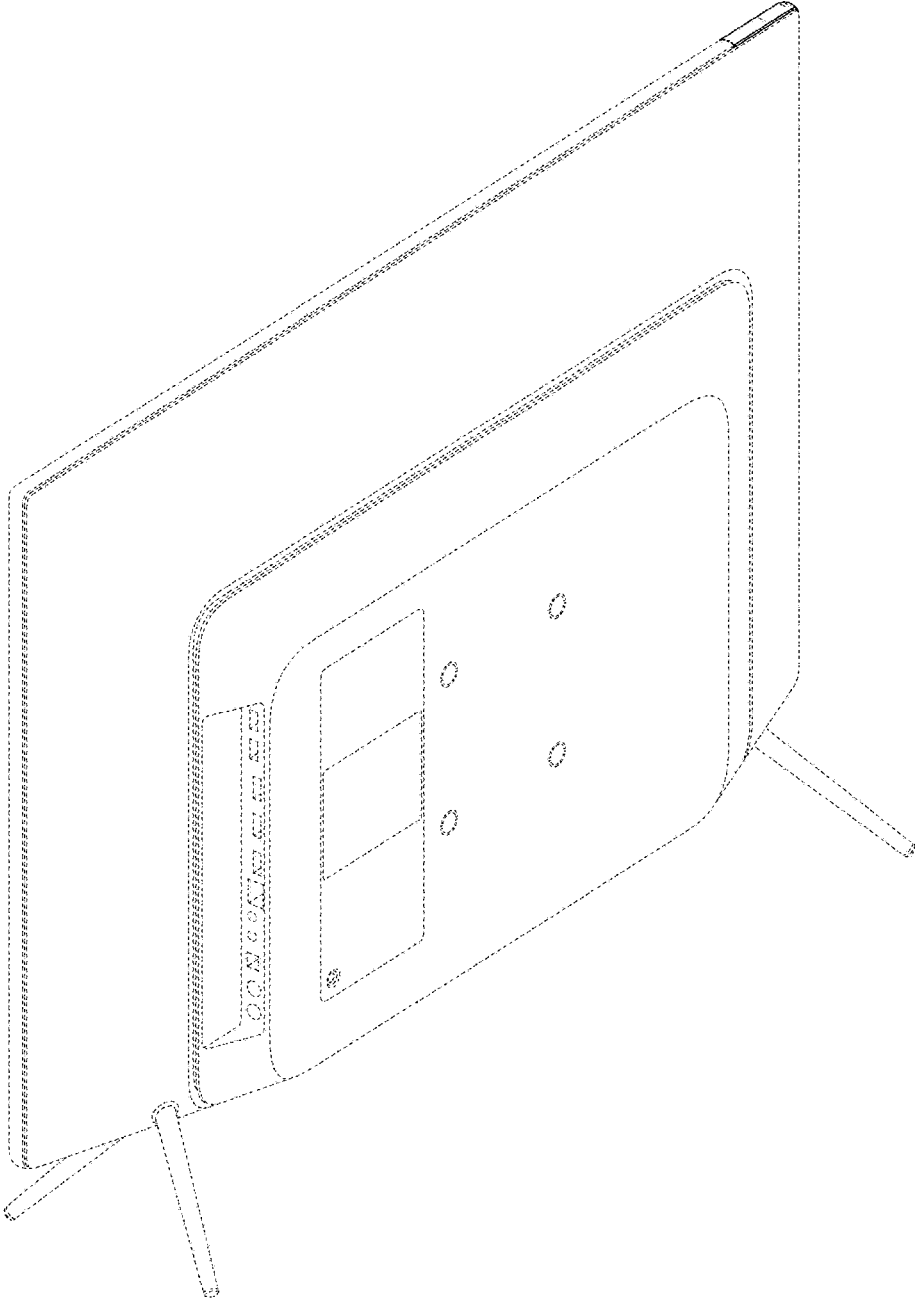




FIG. 9

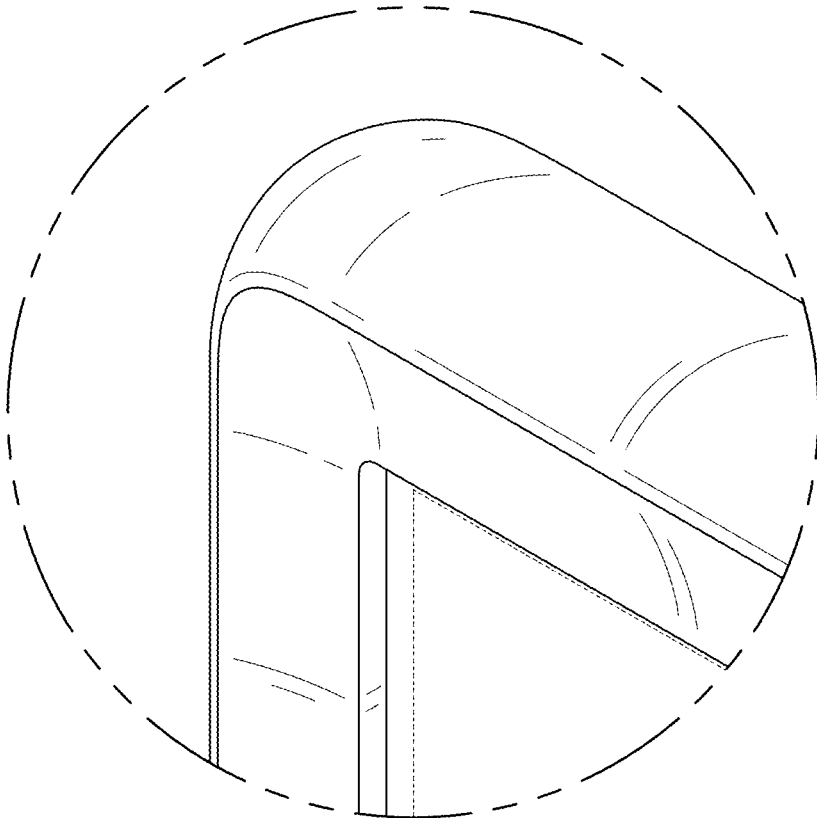


FIG. 10

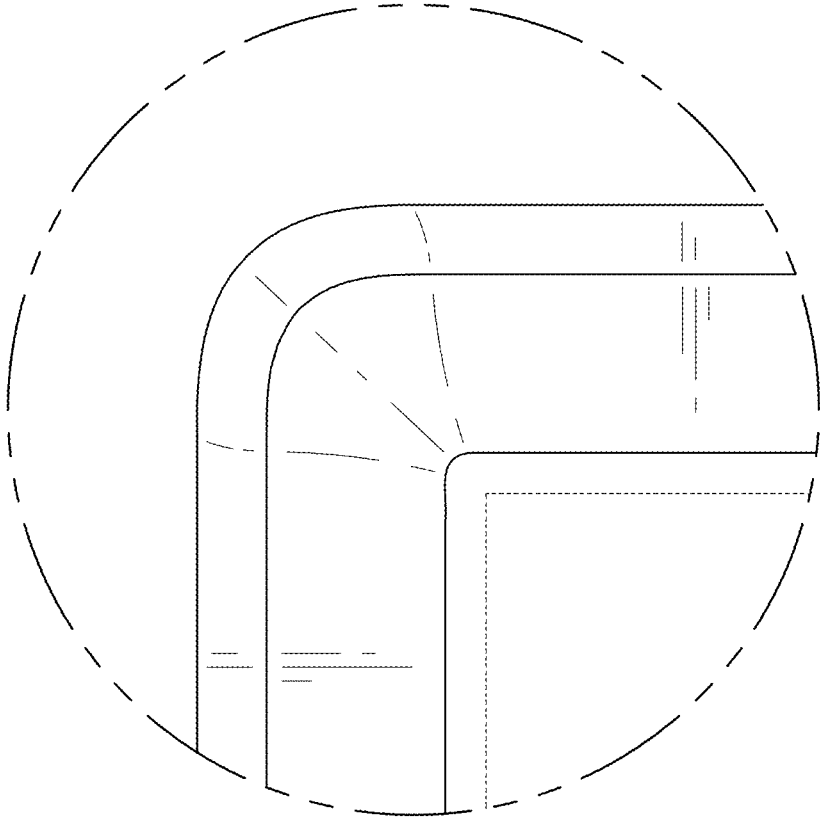


FIG. 11

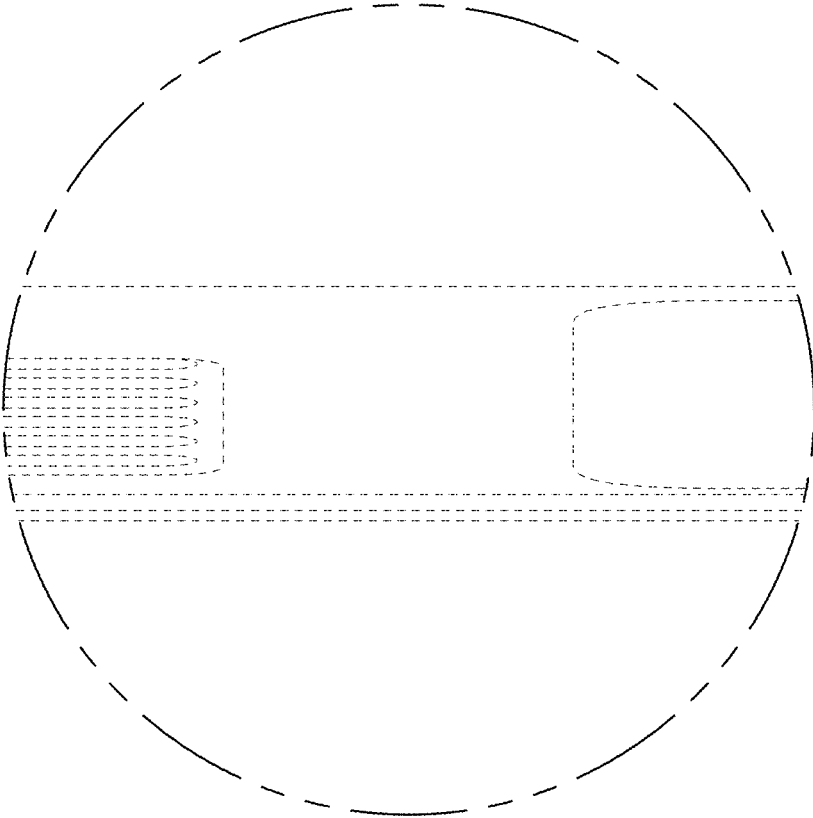


FIG. 12

