



US00D734193S

(12) **United States Design Patent**
Friedrich et al.

(10) **Patent No.:** **US D734,193 S**

(45) **Date of Patent:** **** Jul. 14, 2015**

(54) **OPTOELECTRONIC SENSORS**

(71) Applicant: **SICK AG**, Waldkirch (DE)

(72) Inventors: **Ralf Friedrich**, Bad Krozingen (DE);
Christof J. Meyer, Bleibach (DE);
Michael Thurnherr, Rapperswil (CH)

(73) Assignee: **SICK AG**, Waldkirch (DE)

(**) Term: **14 Years**

(21) Appl. No.: **29/443,671**

(22) Filed: **Jan. 21, 2013**

(30) **Foreign Application Priority Data**

Aug. 16, 2012 (EM) 002088724

(51) **LOC (10) Cl.** **10-05**

(52) **U.S. Cl.**
USPC **D10/104.1**

(58) **Field of Classification Search**
USPC D10/104.1, 106.6, 70; 250/214 R, 221,
250/221.1, 239; 327/514; 340/555, 556;
709/209

See application file for complete search history.

(56) **References Cited**

U.S. PATENT DOCUMENTS

D310,041 S * 8/1990 Nagaoka D10/70
7,183,533 B2 * 2/2007 Osako et al. 250/221

7,227,120 B2 * 6/2007 Shimokawa et al. 250/214 R
7,326,910 B2 * 2/2008 Osako et al. 250/221
7,550,708 B2 * 6/2009 Deguchi 250/221
D620,821 S * 8/2010 Driver D10/65
D625,632 S * 10/2010 Takahara et al. D10/70
8,115,914 B2 * 2/2012 Osako et al. 356/218
D669,801 S * 10/2012 Vroonen D10/70
D693,711 S * 11/2013 Jacobs et al. D10/70
D707,144 S * 6/2014 Jacobs et al. D10/70
D708,971 S * 7/2014 Jacobs et al. D10/70
D711,258 S * 8/2014 Jacobs et al. D10/70

* cited by examiner

Primary Examiner — George D Kirschbaum

(74) *Attorney, Agent, or Firm* — Nath, Goldberg & Meyer;
Jerald L. Meyer

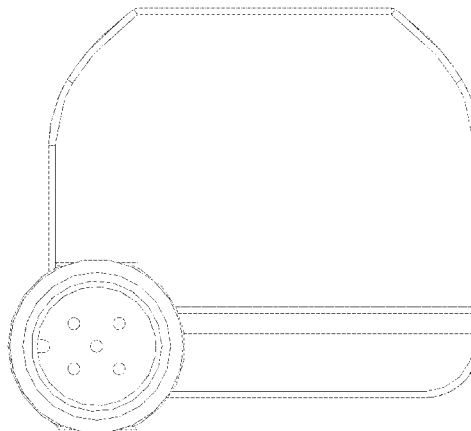
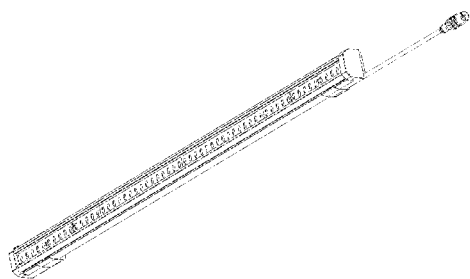
(57) **CLAIM**

The ornamental design for optoelectronic sensors, as shown and described.

DESCRIPTION

FIG. 1 is a perspective view of one optoelectronic sensor showing our new design;
FIG. 2 is a front-side view thereof;
FIG. 3 is a back-side view thereof;
FIG. 4 is a right-side view thereof;
FIG. 5 is a left-side view thereof;
FIG. 6 is a top view thereof; and,
FIG. 7 is a bottom view thereof.

1 Claim, 7 Drawing Sheets



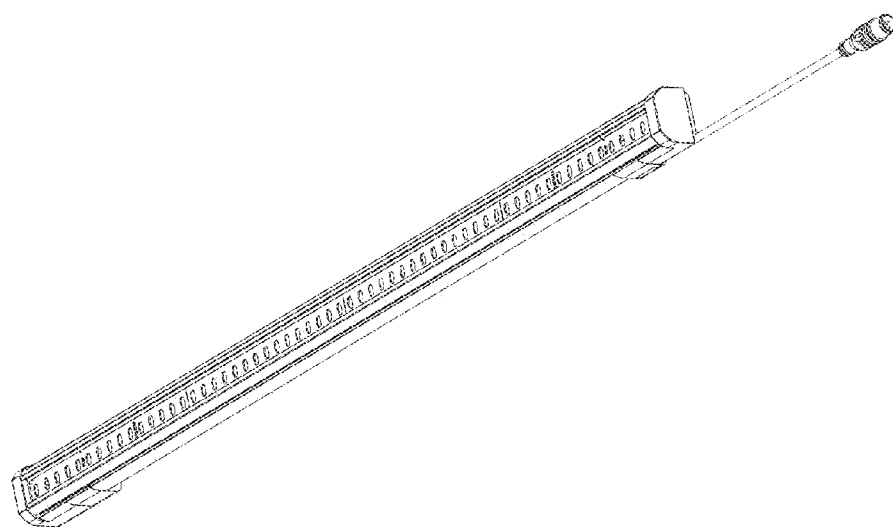


FIG. 1

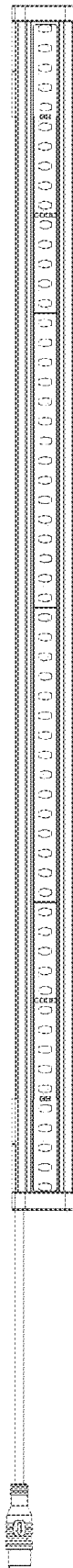


FIG. 2

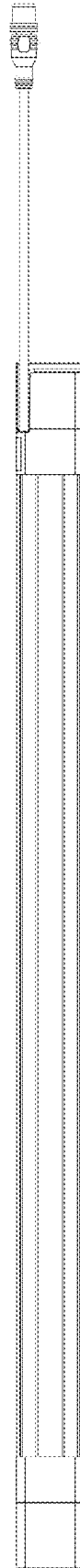


FIG. 3

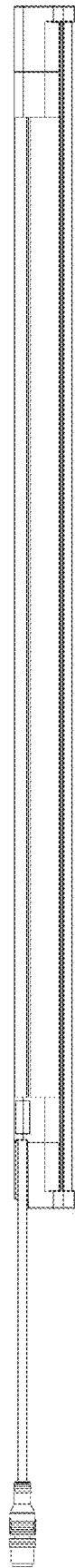


FIG. 4



FIG. 5

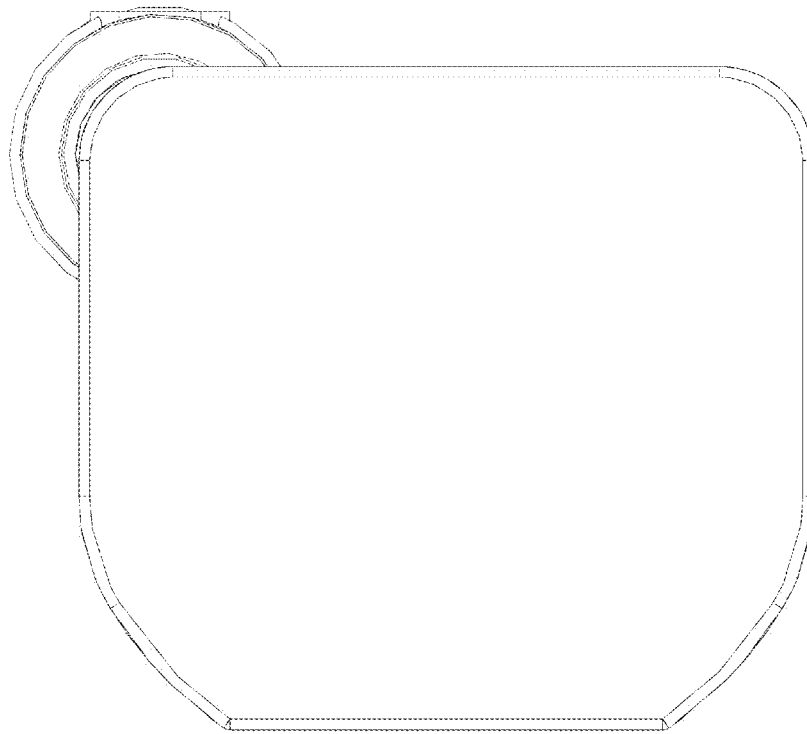


FIG. 6

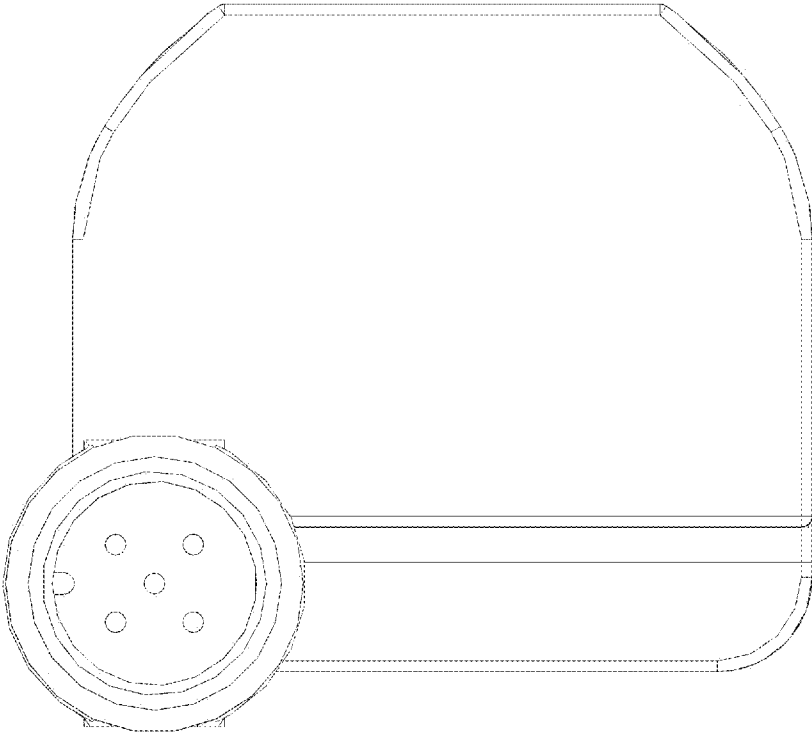


FIG. 7